

300-630^{Q&As}

Implementing Cisco Application Centric Infrastructure - Advanced
(DCACIA)

Pass Cisco 300-630 Exam with 100% Guarantee

Free Download Real Questions & Answers **PDF** and **VCE** file from:

<https://www.leads4pass.com/300-630.html>

100% Passing Guarantee
100% Money Back Assurance

Following Questions and Answers are all new published by Cisco
Official Exam Center

- ⚙️ **Instant Download** After Purchase
- ⚙️ **100% Money Back** Guarantee
- ⚙️ **365 Days** Free Update
- ⚙️ **800,000+** Satisfied Customers



QUESTION 1

An organization deploys active-active data centers and active-standby firewalls in each data center. Which action should be taken in a Cisco ACI Multi-Pod to maintain traffic symmetry through the firewalls?

- A. Enable Endpoint Dataplane Learning
- B. Disable service node Health Tracking
- C. Enable Pod ID Aware Redirection
- D. Disable Resilient Hashing

Correct Answer: B

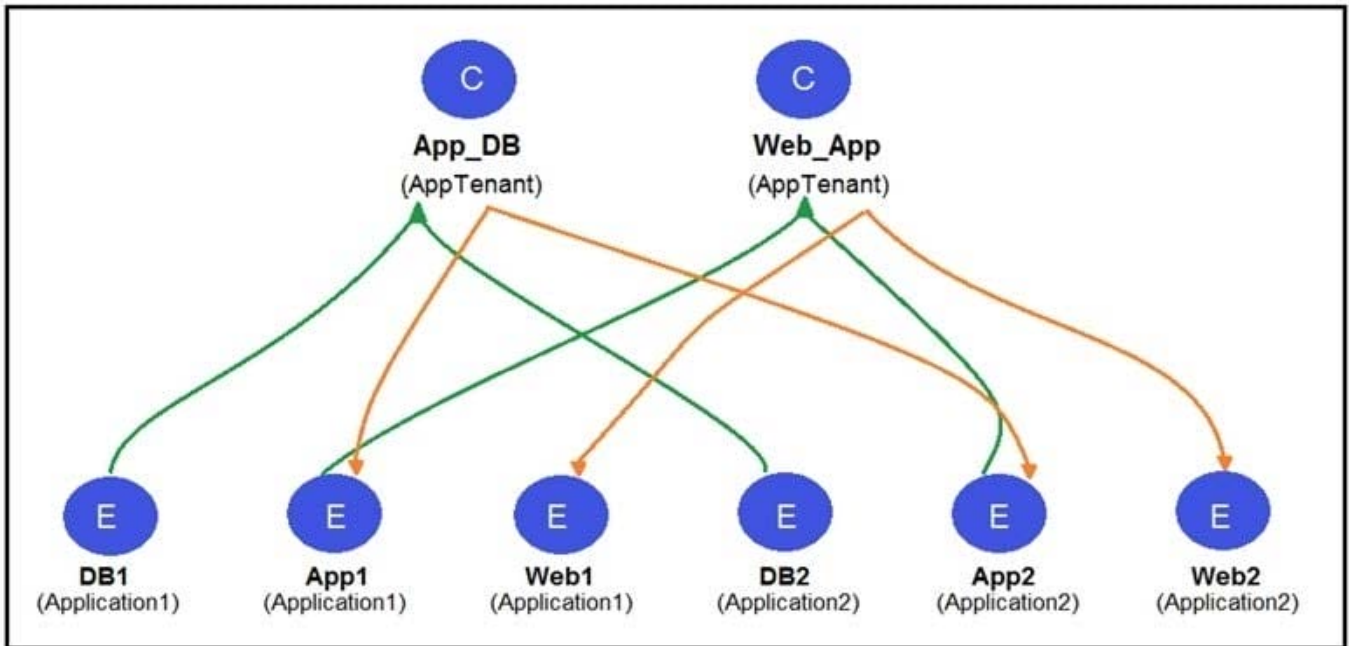
QUESTION 2

Refer to the exhibit. Which combination of flags in the Cisco ACI contract allows a client in WebClient EPG to establish an HTTP connection toward a server in WebServer EPG?

- A. Apply Both Direction ENABLED and Reverse Port Filter ENABLED
- B. Apply Both Direction DISABLED and Reverse Port Filter DISABLED
- C. Apply Both Direction DISABLED and Reverse Port Filter ENABLED
- D. Apply Both Direction ENABLED and Reverse Port Filter DISABLED

Correct Answer: C

QUESTION 3



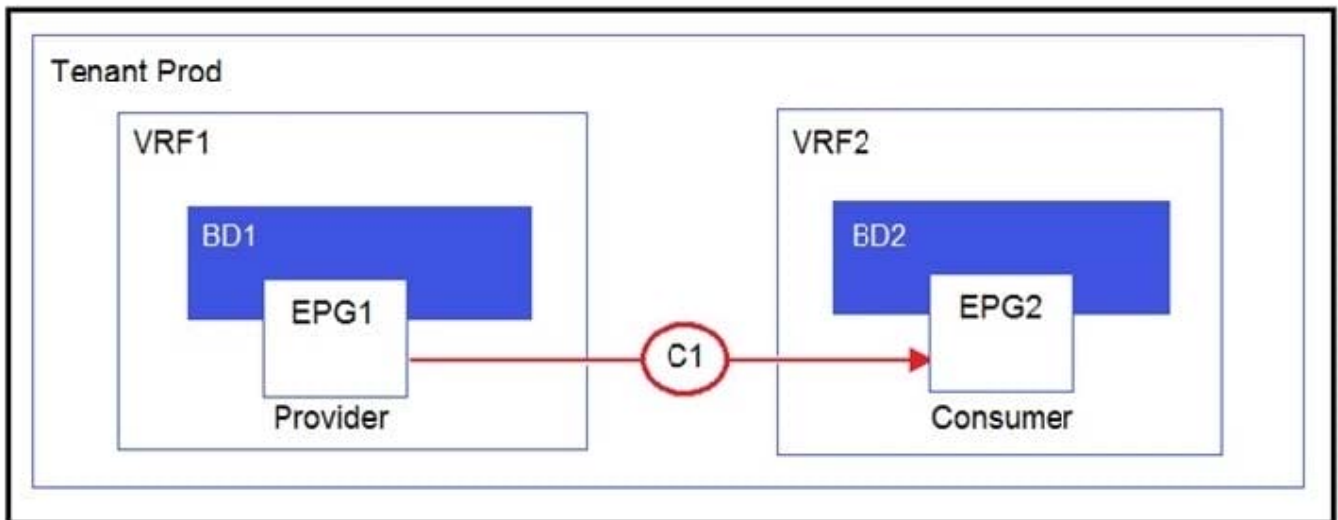
Refer to the exhibit. Two application profiles are configured in the same tenant and different VRFs. Which contract scope is configured to allow communication between the two application profiles?

- A. global
- B. VRF
- C. application
- D. tenant

Correct Answer: D

Reference: https://www.cisco.com/c/en/us/td/docs/switches/datacenter/aci/apic/sw/1-x/Operating_ACI/guide/b_Cisco_Operating_ACI/b_Cisco_Operating_ACI_chapter_01000.html

QUESTION 4



Refer to the exhibit. Which two configurations enable inter-VRF communication? (Choose two.)

- A. Set the subnet scope to Shared Between VRFs
- B. Enable Advertise Externally under the subnet scope
- C. Change the contract scope to Tenant
- D. Change the subject scope to VRF
- E. Export the contract and import as a contract interface

Correct Answer: BE

QUESTION 5

What are two characteristics of Cisco ACI and Spanning Tree Protocol interaction? (Choose two.)

- A. When a TCN BPDU is received in a VLAN, Cisco ACI flushes the endpoints for the associated encapsulation.
- B. STP BPDUs are dropped due to MCP.
- C. MST BPDUs are flooded correctly in Cisco ACI fabric without additional configuration.
- D. BPDU filter and BPDU guard can be configured on Cisco ACI leaf edge ports.
- E. Cisco ACI must be configured as the STP root for all VLANs.

Correct Answer: DE

Reference: https://www.cisco.com/c/en/us/td/docs/switches/datacenter/aci/aci_virtual_edge/configuration/1-x/b_Virtual_Edge_Config_Guide_1_2_2/b_Virtual_Edge_Config_Guide_1_2_2_chapter_0101.html

QUESTION 6

Filter - SSH

[Policy](#) [Faults](#) [History](#)

Properties

Name: SSH

Alias:

Description: optional

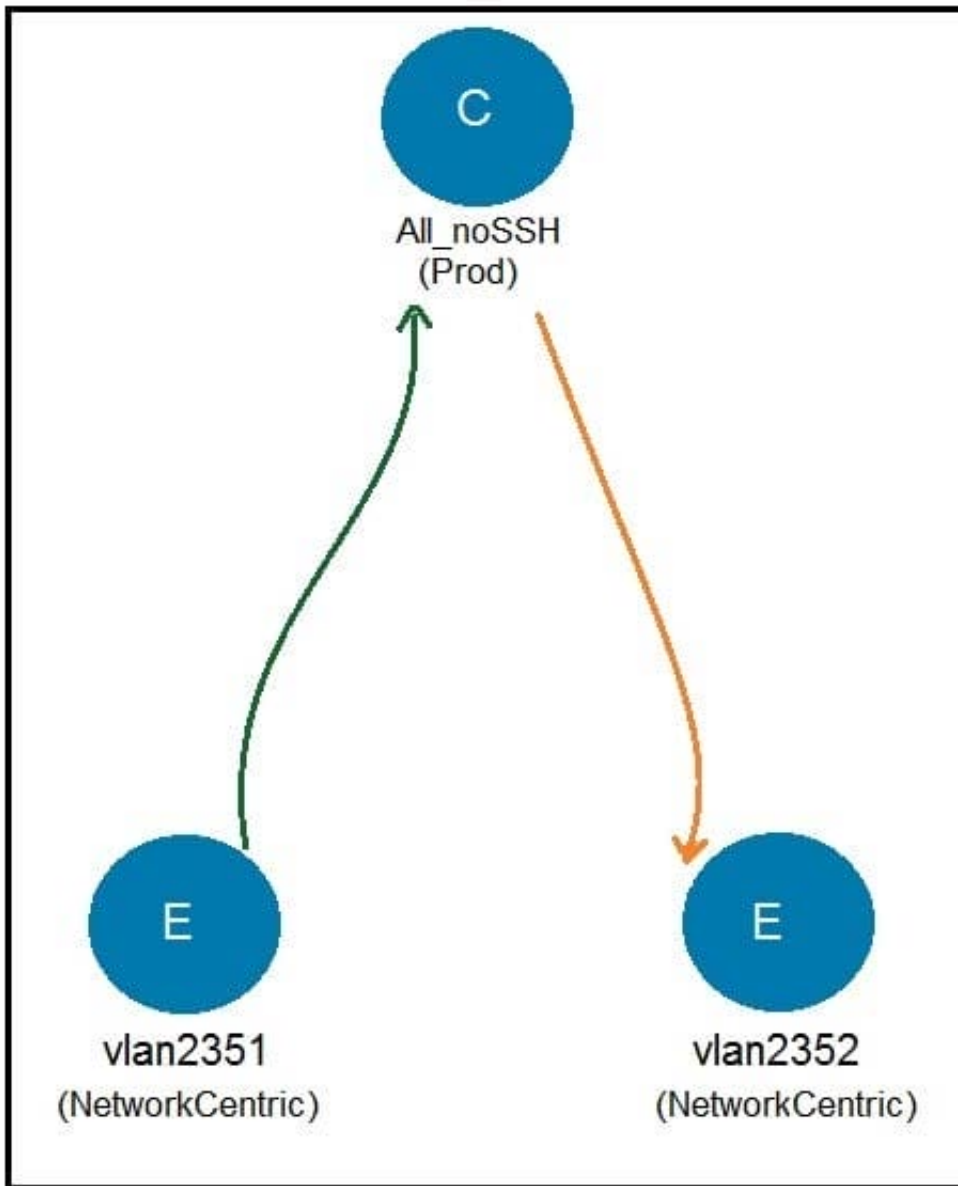
Tags:
enter tags separated by comma

Global Alias:

Entries:

Name	Alias	EtherType	ARP Flag	IP Protocol	Match Only Fragme	Stateful	Source Port/Range		Destination Port/Range	
							From	To	From	To
ssh		IP		tcp	False	False	unspecified	unspecified	22	22

Refer to the exhibits. Which subject must be configured for the All_noSSH contract to allow all IP traffic except SSH between the two EPGs?



Ⓐ

Apply Both Directions: false
Reverse Filter Ports:

Filters:

Name	Action	Priority
common/ip	permit	default level
Prod/SSH	Deny	highest priority

Ⓑ

Apply Both Directions: false
Reverse Filter Ports:

Filters:

Name	Action	Priority
common/ip	permit	default level
Prod/SSH	Deny	lowest priority

Ⓒ

Apply Both Directions: true
Reverse Filter Ports:

Filters:

Name	Tenant	Action	Priority
SSH	Prod	Deny	highest priority
ip	common	permit	default level

Ⓓ

Apply Both Directions: true
Reverse Filter Ports:

Filters:

Name	Tenant	Action	Priority
SSH	Prod	Deny	lowest priority
ip	common	permit	default level

- A. Option A
- B. Option B
- C. Option C
- D. Option D

Correct Answer: D

Reference: https://www.cisco.com/c/en/us/td/docs/switches/datacenter/aci/apic/sw/1-x/ACI_Best_Practices/b_ACI_Best_Practices/b_ACI_Best_Practices_chapter_010.html

QUESTION 7

What is the purpose of the Forwarding Tag (FTAG) in Cisco ACI?

- A. FTAG is used in Cisco ACI to add a label to the iVXLAN traffic in the fabric to apply the correct policy.
- B. FTAG is used in Cisco ACI to add a label to the VXLAN traffic in the fabric to apply the correct policy.
- C. FTAG trees in Cisco ACI are used to load balance unicast traffic.
- D. FTAG trees in Cisco ACI are used to load balance multi-destination traffic.

Correct Answer: D

Reference: https://www.cisco.com/c/en/us/td/docs/switches/datacenter/aci/apic/sw/1-x/aci-fundamentals/b_ACI-Fundamentals/b_ACI-Fundamentals_chapter_010010.html#concept_1E8BF286E1C043EF839D80935FDF9F50

QUESTION 8

An engineer must implement a full mesh Cisco ACI Multi-Site architecture. Which action must be taken on each spine to accomplish this goal?

- A. Configure BGP-EVPN Router-ID
- B. Configure Multi-Pod Data-Plane TEP
- C. Configure Overlay Unicast TEP
- D. Configure Overlay Multicast TEP

Correct Answer: A

Reference: <https://www.cisco.com/c/en/us/solutions/collateral/data-center-virtualization/application-centric-infrastructure/white-paper-c11-739609.html>

QUESTION 9

What are two characteristics of Cisco ACI interaction with MSTP? (Choose two.)

- A. A Cisco ACI leaf flushes all local endpoints in the received EPG when an MSTP TCN frame is received.
- B. A static path binding is required for native VLAN to carry the MST BPDUs in existing EPGs.
- C. Mis-cabling protocol is used to snoop the MSTP TCN packets.
- D. A dedicated EPG must be created for the native VLAN ID with static bindings toward the MSTP-enabled switches.
- E. The PVST simulation must be configured on external network switches to support MSTP.

Correct Answer: CD

QUESTION 10

How is broadcast forwarded in Cisco ACI Multi-Pod after ARP flooding is enabled?

- A. For the specific bridge domain, all spines forward the broadcast frames to IPN routers
- B. Broadcast frames are forwarded inside the pod and across the IPN using the multicast address that is associated to the bridge domain
- C. Within a pod, the ingress leaf switch floods the broadcast frame on all fabric ports
- D. Ingress replication is used on the spines to forward broadcast frames in the IPN infrastructure

Correct Answer: A

QUESTION 11

An engineer is implementing the Cisco ACI fabric but is experiencing loops detected from endpoints. When the issue was investigated, it was discovered that the packets are received with the same source IP address but from different leaf switch ports. The engineer must prevent the issue from happening in the future and make sure that the port is brought back up if it was disabled due to the loop discovered. Which set of actions must be taken to meet these requirements?

- A. Enable the enforce endpoint check and set the Rouge EP detection interval
- B. Enable the rogue endpoint and set the Error Disabled Recovery Policy
- C. Enable the remote endpoint limit and set the Interface override
- D. Enable reverse path forwarding and set the Hold Interval

Correct Answer: B

QUESTION 12

Which two actions are the Cisco best practices to configure NIC teaming load balancing for Cisco UCS B-Series blades that are connected to the Cisco ACI leaf switches? (Choose two.)

- A. Create vPC+
- B. Enable LACP active mode
- C. Create PAgP
- D. Create vPC
- E. Enable MAC pinning

Correct Answer: BE

QUESTION 13

An engineer created a Cisco ACI environment in which multiple tenants reuse the same contract. The requirement is to prevent inter-tenant communication. Which action meets this requirement?

- A. Create the contract in the user tenant with the scope set to VRF and exported to other tenants
- B. Create the contract in the common tenant with the scope set to Tenant
- C. Create the contract in the user tenant with the scope set to Global and exported to other tenants
- D. Create the contract in the common tenant with the scope set to Global

Correct Answer: B

QUESTION 14

Cisco ACI fabric is migrated from network-centric mode to application-centric mode. What is possible in an application-centric design?

- A. remapping of VLAN pools
- B. migration of bare metal servers to virtual machines
- C. creation of additional EPGs under one bridge domain
- D. Cisco ACI VMM integration with hypervisors

Correct Answer: C

QUESTION 15

Create L4-L7 Devices

STEP 1 > Cluster

1. Cluster 2. Devices 3. Parameters

Name:

Device Package:

Context Aware: Multiple Single

Function Type: GoThrough GoTo L1 L2

Device Type: CLOUD PHYSICAL VIRTUAL

Cluster Management Interface

EPG:

Virtual IP Address:

Port:

Username:

Password:

Confirm Password:

Refer to the exhibit. A network engineer configures a Layer 4 to Layer 7 device for an outside routed firewall that is connected to POD-1 inside a Cisco ACI fabric that consists of two pods. All traffic from POD-1 or POD-2 that uses the L3Out should pass through the routed firewall. Which Function Type must be implemented in the service graph for POD-2 to use L3Out?

- A. GoThrough
- B. L1
- C. GoTo
- D. L2

Correct Answer: D

[Latest 300-630 Dumps](#)

[300-630 PDF Dumps](#)

[300-630 Study Guide](#)