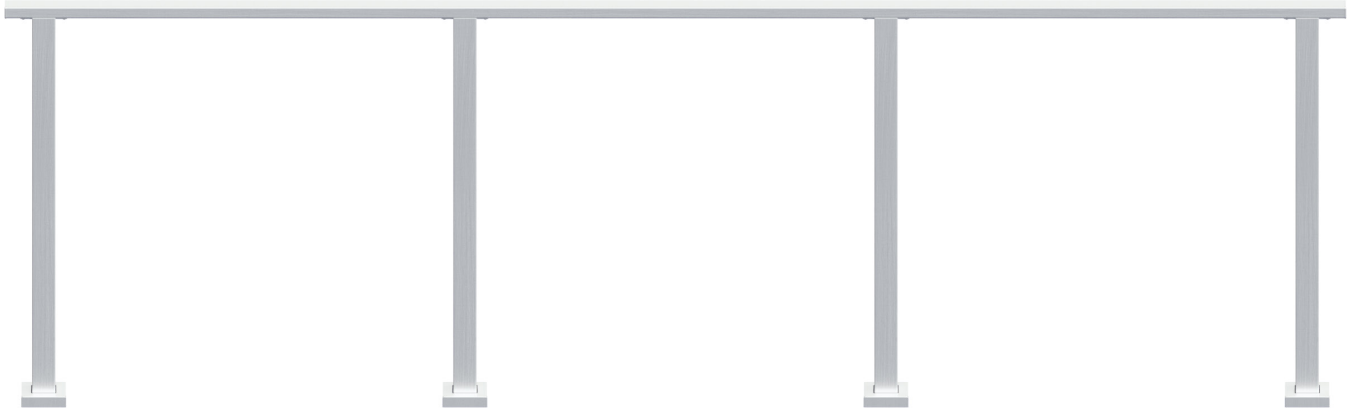




Installation Guide: Metal Handrail with Flat Top Posts



Before You Begin

Ensure that you install your handrail before installing any infill.

Items You'll Need

Drill
Clamps
Mallet
Saw

For more information or installation help, go to www.youtube.com/Viewrail

1 Cut handrail to correct length



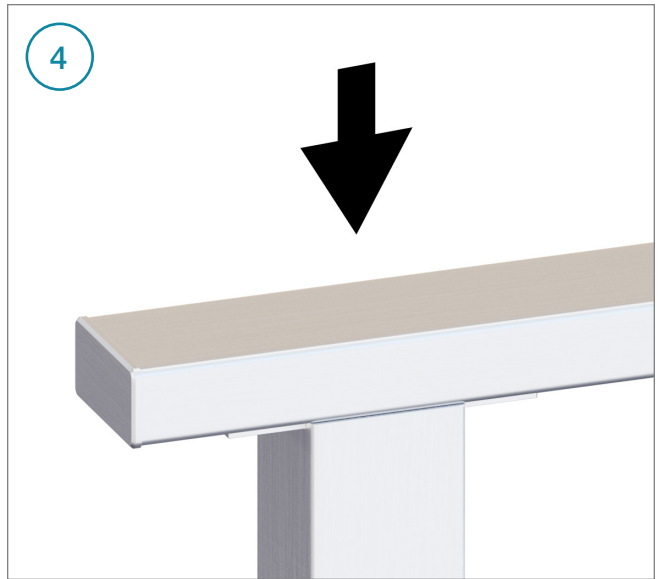
2 Tap in end cap with a mallet



3



4



5 Drill two 9/64" pilot holes on the interior side of the first bracket while it is secured to the handrail

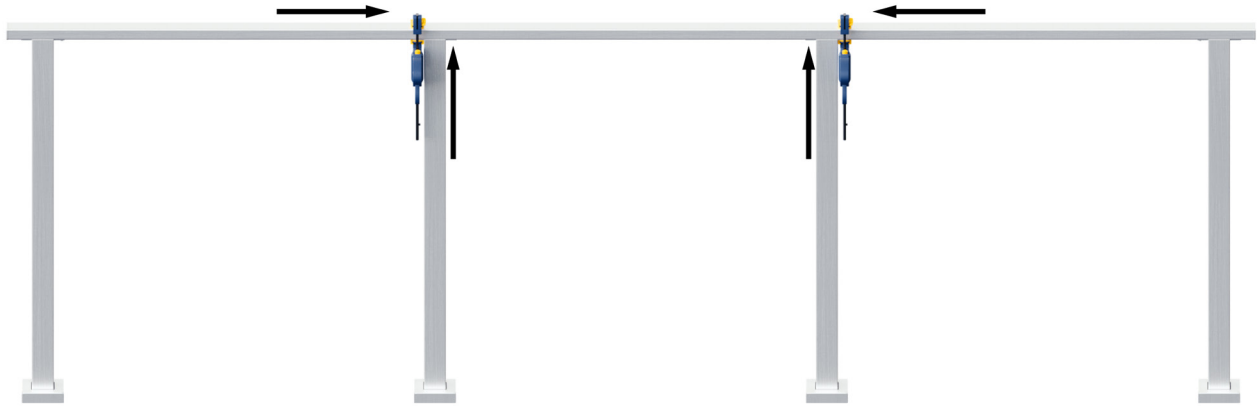


6



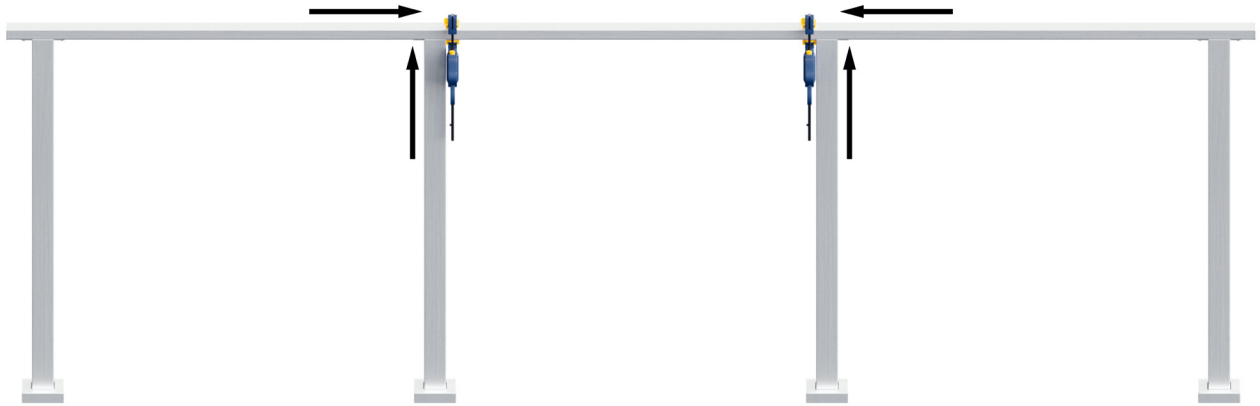
7

Work inward from each end of the handrail, populating the interior side of each handrail bracket



8

Work inward again from each end of the handrail, now populating the exterior side of each handrail bracket





Congratulations! Your Install is Done

We'd love to see your work! Snap a few pics with your phone and send them to pictures@Viewrail.com. Thanks for choosing Viewrail. Enjoy your new installation!