

UPRIGHT SIDE DISCHARGE SKIP

Side discharge

WHITNEY

SECATOL



Model ELEV V2 VOL 500L

Model ELEV V2 600L



Model ELEV V2 VH 600L



Fork locking system

Use: The ELEV concrete skips are rectangular skips with large side discharge section. Thanks to its design, the ELEV skip has a lower height than other skips of the same capacity.

Means of handling: Crane (lateral lifting points) and forklift (fork pockets). Integrated fork locking system.

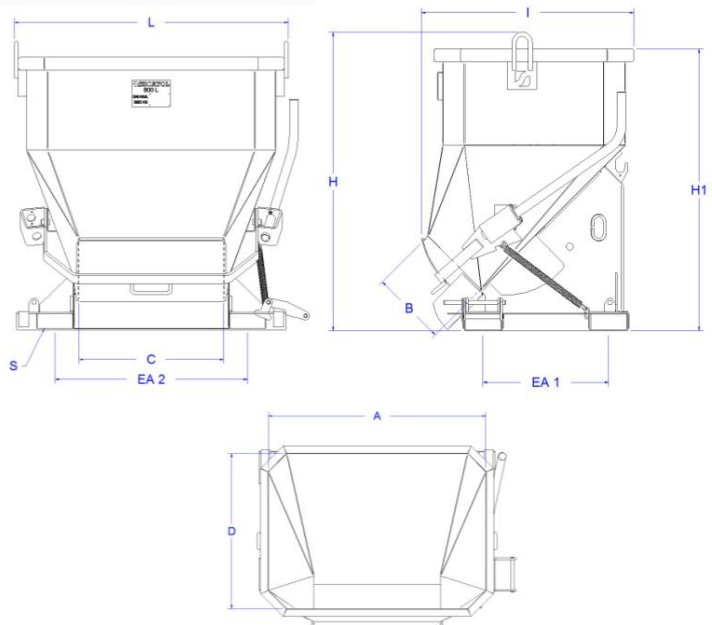
Interest: Its large gate allows a high precision in the concrete flowing and ease its cleaning.

Finish: Painted

Gate type: Large rectangular gate

Type of discharge: Side discharge

Gate operation: Lever, hand wheel or hydraulic cylinder



Cap.* (Litres)	ELEV FM		ELEV FM VO		ELEV FM VH		SWL (Kg)	Dimensions						Transport		
	Product code	Net weight (kg)	Product code	Net weight (Kg)	Product code	Net weight (Kg)		A x D (mm)	B x C (mm)	EA1 (mm)	EA2 (mm)	H1 (mm)	S (mm)	L (mm)	I (mm)	H (mm)
300	11033FM	180	11033FMVO	200	11033FMVH	190	720	1000 x 700	300 x 500	510	730	960	170 x 75	1130	860	1040
400	11043FM	190	11043FMVO	210	11043FMVH	200	960	1000 x 700	300 x 500	510	730	1100	170 x 75	1130	860	1180
500	11053FM	205	11053FMVO	225	11053FMVH	215	1200	1000 x 700	300 x 500	510	730	1260	170 x 75	1130	860	1340
600	11063FM	235	11063FMVO	260	11063FMVH	250	1440	1200 x 850	350 x 700	590	930	1120	170 x 75	1300	995	1200
800	11083FM	255	11083FMVO	275	11083FMVH	265	1920	1200 x 850	350 x 700	590	930	1320	170 x 75	1300	995	1400
1000	11103FM	270	11103FMVO	295	11103FMVH	285	2400	1200 x 850	350 x 700	590	930	1520	170 x 75	1300	995	1600
1200			11123FMVO	420	11123FMVH	410	2880	1400 x 1000	350 x 700	690	930	1475	170 x 75	1560	1120	1600
1400			11143FMVO	440	11143FMVH	430	3360	1400 x 1000	350 x 700	690	930	1610	170 x 75	1560	1120	1735
1600			11163FMVO	465	11163FMVH	455	3840	1400 x 1000	350 x 700	690	930	1775	170 x 75	1560	1120	1900

*Geometric capacity, apply a coefficient depending on the nature of the concrete to calculate the useful capacity (other capacities on request)
These technical details are given for information purposes only, they can be changed without any notice.

WHITNEY

Ladybird House, Brockhill Yard, Hewell Lane, Redditch, B97 6QT
www.whitneyeng.com sales@whitneyeng.com 01785 282811
 Sole UK dealers for SECATOL Equipment

ELEV V2