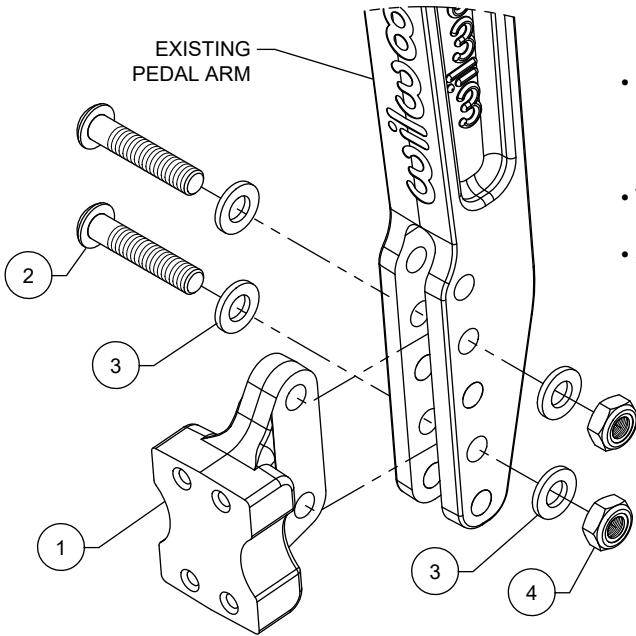


**INSTALLATION OF ADJUSTABLE PEDAL PAD HEAD TO WILWOOD PEDAL ARM**



- Install the pedal pad head (1) into the “fork” of the pedal arm in the desired location as shown in the diagram. Secure in place using bolts (2), washers (3), and locknuts (4).
- Torque locknuts (4) to 120 in-lbs.
- **NOTE:** The position of the pedal head on the lever affects the pedal ratio. See specific pedal assembly instructions for pedal ratio range.

**PARTS LIST**

ITEM	PART NO.	DESCRIPTION	QTY
1	330-16077	Pedal, Pad Head, Adjustable	1
2	230-16369	Bolt, 1/4-28 x 1.25 Long, Button Head	2
3	240-11240	Washer, .265 I.D. x .500 O.D. x .063 Thick	4
4	230-16370	Nut, 1/4-28, Nylock	2

**WARNING**

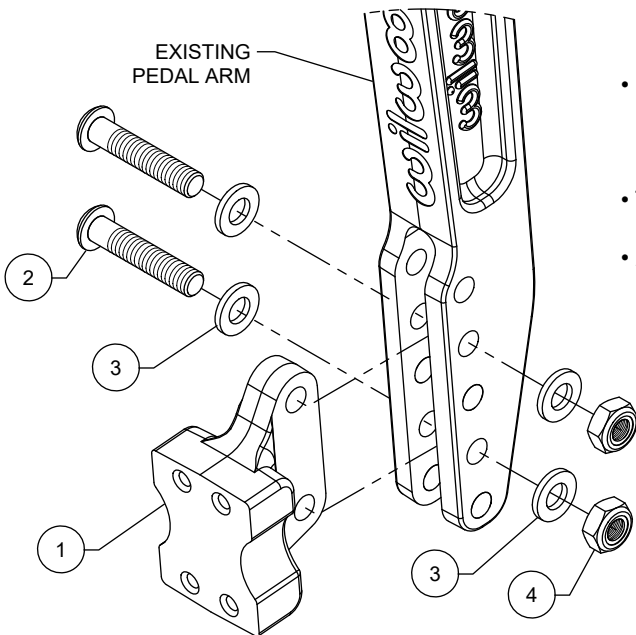
INSTALLATION OF THIS COMPONENT SHOULD ONLY BE PERFORMED BY PERSONS EXPERIENCED IN THE INSTALLATION AND PROPER OPERATION OF DISC BRAKE SYSTEMS. IT IS THE RESPONSIBILITY OF THE PERSON INSTALLING ANY BRAKE COMPONENT TO DETERMINE THE SUITABILITY OF THE COMPONENT FOR THAT PARTICULAR APPLICATION. BEFORE OPERATING VEHICLE, TEST THE BRAKES UNDER CONTROLLED CONDITIONS, MAKE SEVERAL STOPS IN A SAFE AREA FROM LOW SPEEDS AND GRADUALLY WORK UP TO HIGHER SPEEDS. DO NOT DRIVE ON UNTESTED BRAKES! ALWAYS UTILIZE SAFETY RESTRAINT SYSTEMS WHILE OPERATING VEHICLE.

4700 Calle Bolero • Camarillo, CA 93012

Phone 805 / 388-1188 • www.wilwood.com

DS-1407 REV DATE: 11-06-20

**INSTALLATION OF ADJUSTABLE PEDAL PAD HEAD TO WILWOOD PEDAL ARM**



- Install the pedal pad head (1) into the “fork” of the pedal arm in the desired location as shown in the diagram. Secure in place using bolts (2), washers (3), and locknuts (4).
- Torque locknuts (4) to 120 in-lbs.
- **NOTE:** The position of the pedal head on the lever affects the pedal ratio. See specific pedal assembly instructions for pedal ratio range.

**PARTS LIST**

ITEM	PART NO.	DESCRIPTION	QTY
1	330-16077	Pedal, Pad Head, Adjustable	1
2	230-16369	Bolt, 1/4-28 x 1.25 Long, Button Head	2
3	240-11240	Washer, .265 I.D. x .500 O.D. x .063 Thick	4
4	230-16370	Nut, 1/4-28, Nylock	2

**WARNING**

INSTALLATION OF THIS COMPONENT SHOULD ONLY BE PERFORMED BY PERSONS EXPERIENCED IN THE INSTALLATION AND PROPER OPERATION OF DISC BRAKE SYSTEMS. IT IS THE RESPONSIBILITY OF THE PERSON INSTALLING ANY BRAKE COMPONENT TO DETERMINE THE SUITABILITY OF THE COMPONENT FOR THAT PARTICULAR APPLICATION. BEFORE OPERATING VEHICLE, TEST THE BRAKES UNDER CONTROLLED CONDITIONS, MAKE SEVERAL STOPS IN A SAFE AREA FROM LOW SPEEDS AND GRADUALLY WORK UP TO HIGHER SPEEDS. DO NOT DRIVE ON UNTESTED BRAKES! ALWAYS UTILIZE SAFETY RESTRAINT SYSTEMS WHILE OPERATING VEHICLE.

4700 Calle Bolero • Camarillo, CA 93012

Phone 805 / 388-1188 • www.wilwood.com

DS-1407 REV DATE: 11-06-20