

**SOLID INDUSTRIAL TIRES
INNER TUBES
FLAPS**

DOBERMANN



DOBERMANN



CONTENTS

Treads by Size guide	2
Solid Tires Cover Page	3
Traction Solid Pneumatic	4
Non-Marking Solid Pneumatic	5
Rib Solid Pneumatic	6
Crosslug Solid Pneumatic	6
Traction POB	7
Non-Marking Traction POB	8
Smooth POB	9
Non-Marking Smooth POB	9
Solid Skid Steer Assemblies	10
Inner Tubes and Flaps Cover Page	11
Inner Tube Listing	12
Natural Rubber Inner Tube Listing	24
Flap Listing	25
Valve Guide with Specifications	26

TREAD GUIDE

Traction Solid Pneumatic



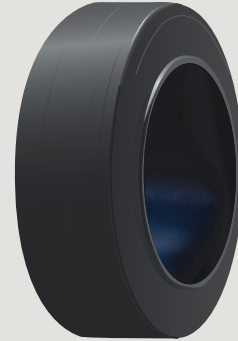
5.00-8
18X7-8
6.00-9
21X8-9
6.50-10
7.00-12
7.00-15
7.50-15
8.25-15
28X9-15 (8.15-15)
250-15
300-15
28X12.5-15
355/65-15

Crosslug Solid Pneumatic



10.00-20
12.00-20

Smooth POB



9X5-5
10X4-6.5
10X4.75-6.5
10X5-6.5
12X4.5-8
14X4.5-8
14X5-10
16X5-10.5
16X6-10.5
15X5-11.25
16.25X5-11.25
16.25X6-11.25
18X6-12.125
18X7-12.125
18X8-12.125
21X7-15
21X8-15
22X8-16
22X9-16
22X12-16
28X12-22

Non-Marking Traction Solid Pneumatic



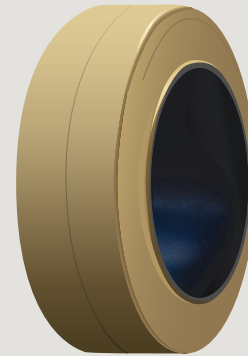
5.00-8
6.00-9
6.50-10
7.00-12

Traction POB



14X4.5-8
16X5-10.5
16X6-10.5
15X5-11.25
16.25X5-11.25
16.25X6-11.25
18X6-12.125
18X7-12.125
18X8-12.125
21X7-15
21X8-15
22X9-16

Non-Marking Smooth POB



14X4.5-8
16X5-10.5
16X6-10.5
15X5-11.25
16.25X5-11.25
16.25X6-11.25
18X6-12.125
18X7-12.125
18X8-12.125
21X7-15
21X8-15
22X8-16
22X9-16
22X12-16
28X12-22

Rib Solid Pneumatic



4.00-8

Non-Marking Traction POB



14X4.5-8
16X5-10.5
16X6-10.5
15X5-11.25
16.25X5-11.25
16.25X6-11.25
18X6-12.125
18X7-12.125
18X8-12.125
21X7-15
21X8-15
22X8-16
22X9-16

Solid Skid Steer Assembly



31X10-20
33x12-20



SOLID TIRES

TRACTION SOLID PNEUMATIC



Three stage design provides outstanding levels of service in highly demanding duty cycle environments. Low rolling resistance for increased efficiency and low heat build up for a long operating life.



PART #	SIZE	RIM	COMPOUND	OVERALL DIAMETER		SECTION WIDTH		LOAD LIMITS (LBS)		OTHER VEHICLES		
				mm	inches	mm	inches	Counterbalanced Lift Trucks		6km/h (6 mph)	10km/h (15 mph)	25km/h (15 mph)
								load	steer			
DOB-300-T	5.00-8	3.00	Standard	443	17.4	124	4.9	3120	2403	3120	2833	2403
DOB-304-T	18X7- 8	4.33	Standard	450	17.7	147	5.8	4729	3638	4729	4288	3638
DOB-400-T	6.00-9	4.00	Standard	521	20.5	137	5.4	4156	3197	4156	3770	3197
DOB-401-T	21X8-9	6.00	Standard	521	20.5	190	7.5	6074	4674	6074	5512	4674
DOB-500-T	6.50-10	5.00	Standard	565	22.2	151	5.9	5159	3968	5159	4685	3968
DOB-602-T	7.00-12	5.00	Standard	651	25.6	168	6.6	6437	4938	6437	5831	4938
DOB-700-T	7.00-15	5.50	Standard	711	28.0	168	6.6	7815	6008	7815	7088	6008
DOB-720-T	7.50-15	5.50	Standard	732	28.8	193	7.6	8598	6614	8598	7804	6614
DOB-722-T	7.50-15	6.50	Standard	732	28.8	193	7.6	8598	6614	8598	7804	6614
DOB-731-T	8.25-15	6.50	Standard	802	31.6	208	8.2	10472	8047	10472	9480	8047
DOB-742-T	28X9-15 (8.15-15)	7.00	Standard	687	27.1	206	8.1	7595	5842	7595	6889	5842
DOB-743-T	250-15	7.00	Standard	706	27.8	211	8.3	10461	8047	10461	9502	8047
DOB-744-T	250-15	7.50	Standard	706	27.8	211	8.3	10461	8047	10461	9502	8047
DOB-750-T	300-15	8.00	Standard	806	31.7	251	9.9	12897	9921	12897	11707	9921
DOB-755-T	28X12.5-15	9.75	Standard	691	27.2	298	11.7	12181	9370	12181	11056	9370
DOB-760-T	355/65-15	9.75	Standard	810	31.9	296	11.7	17196	13228	15620	14176	12015



NON-MARKING TRACTION SOLID PNEUMATIC



Superior non-marking compound provides excellent rider comfort, decreased wear and tear, and lower rolling resistance.



PART #	SIZE	RIM	COMPOUND	OVERALL DIAMETER		SECTION WIDTH		LOAD LIMITS (LBS)		OTHER VEHICLES		
				mm	inches	mm	inches	Counterbalanced Lift Trucks		6km/h	10km/h	25km/h
								load	steer	(6 mph)	(15 mph)	
DOB-300-NT	5.00-8	3.00	Non-marking	443	17.4	124	4.9	3120	2403	3120	2833	2403
DOB-400-NT	6.00-9	4.00	Non-marking	521	20.5	137	5.4	4156	3197	4156	3770	3197
DOB-500-NT	6.50-10	5.00	Non-marking	565	22.2	151	5.9	5159	3968	5159	4685	3968
DOB-602-NT	7.00-12	5.00	Non-marking	651	25.6	168	6.6	6437	4938	6437	5831	4938



RIB SOLID PNEUMATIC



Low speed, high load rib design allows for a long operating life that is maintenance free.



PART #	SIZE	RIM	COMPOUND	OVERALL DIAMETER		SECTION WIDTH		LOAD LIMITS (LBS)		OTHER VEHICLES			
				mm	inches	mm	inches	Counterbalanced Lift Trucks	load	steer	6km/h	10km/h	25km/h
											(6 mph)	(15 mph)	
DOB-203-T	4.00-8	3.75	Standard	406	16.0	103	4.1	2094	1609	2094	1896	1609	

CROSSLUG SOLID PNEUMATIC



Extra deep lugs and a full block tread pattern provides for better traction while the three stage design provides comfort and long life.



PART #	SIZE	RIM	COMPOUND	OVERALL DIAMETER		SECTION WIDTH		LOAD LIMITS (LBS)		OTHER VEHICLES			
				mm	inches	mm	inches	Counterbalanced Lift Trucks	load	steer	6km/h	10km/h	25km/h
											(6 mph)	(15 mph)	
DOB-1020-T	10.00-20	7.50	Standard	1011	39.8	248	9.8	13200	11000	14300	11990	11000	
DOB-10208-T	10.00-20	8.00	Standard	1011	39.8	248	9.8	13200	11000	14300	11990	11000	
DOB-1220-T	12.00-20	8.00	Standard	1070	42.1	277	10.9	16632	13860	18018	15103	13860	

SOLID TIRES

TRACTION POB



Large footprint and high load capacity provides good stability and puncture proof performance.



PART #	SIZE	COMPOUND	OVERALL DIAMETER		SECTION WIDTH		LOAD LIMITS (LBS)						
			mm	inches	mm	inches	Forklifts			OTHER VEHICLES			
							10km/h (6 mph) load/steer	15km/h (9mph) load/steer	25km/h (15mph) load/steer	6km/h	10km/h (6 mph)	15km/h (9 mph)	25km/h (15 mph)
DOB-4084-T	14X4.5-8	Standard	336	13.2	114	4.5	2579/2116	2304/1929	1874/1312	2767	2028	1841	1378
DOB-6105-T	16X5-10.5	Standard	406	16.0	127	5.0	3329/2734	2965/2491	2414/1973	3560	2612	2370	1786
DOB-6106-T	16X6-10.5	Standard	406	16.0	152	6.0	4211/3461	3759/3164	3064/2513	4519	3307	3009	2260
DOB-1551-T	15X5-11.25	Standard	381	15.0	127	5.0	3064/2513	2734/2293	2227/1819	3285	2403	2183	1642
DOB-6115-T	16.25X5-11.25	Standard	413	16.2	127	5.0	3362/2756	2998/2513	2436/1995	3594	2635	2403	1797
DOB-6116-T	16.25X6-11.25	Standard	413	16.2	152	6.0	4233/3472	3770/3175	3064/2513	4530	3318	3020	2260
DOB-8126-T	18X6-12.125	Standard	457	18.0	152	6.0	4619/3792	4123/3461	3351/2756	4949	3627	3296	2480
DOB-8127-T	18X7-12.125	Standard	457	18.0	178	7.0	5622/4619	5016/4211	4079/3351	6019	4420	4012	3009
DOB-8128-T	18X8-12.125	Standard	457	18.0	203	8.0	6625/5434	5908/4960	4806/4729	7088	5203	4729	3549
DOB-1157-T	21X7-15	Standard	533	21.0	178	7.0	6327/5192	5644/4740	4597/3759	6779	4971	4519	3384
DOB-1158-T	21X8-15	Standard	533	21.0	203	8.0	7452/6118	6658/5589	5412/4431	7981	5853	5324	3990
DOB-2169-T	22X9-16	Standard	559	22.0	229	9.0	8885/7297	7937/6669	6460/5291	9524	6989	6349	5390



NON-MARKING TRACTION POB



Low rolling resistance, low heat build-up, and a high load capacity provide excellent service with a high-quality non-marking compound.



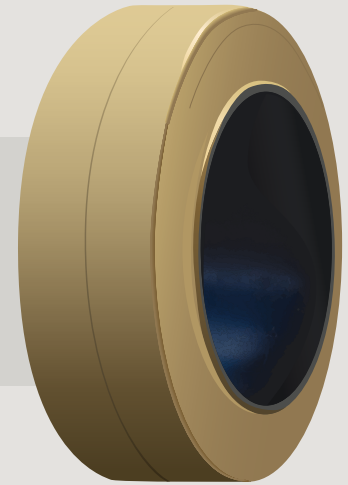
PART #	SIZE	COMPOUND	OVERALL DIAMETER		SECTION WIDTH		LOAD LIMITS (LBS)						
			mm	inches	mm	inches	Forklifts			OTHER VEHICLES			
							10km/h (6 mph) load/steer	15km/h (9mph) load/steer	25km/h (15mph) load/steer	6km/h	10km/h (6 mph)	15km/h (9 mph)	25km/h (15 mph)
DOB-4084-NT	14X4.5-8	Non-marking	336	13.2	114	4.5	2579/2116	2304/1929	1874/1312	2767	2028	1841	1378
DOB-6105-NT	16X5-10.5	Non-marking	406	16.0	127	5.0	3329/2734	2965/2491	2414/1973	3560	2612	2370	1786
DOB-6106-NT	16X6-10.5	Non-marking	406	16.0	152	6.0	4211/3461	3759/3164	3064/2513	4519	3307	3009	2260
DOB-1551-NT	15X5-11.25	Non-marking	381	15.0	127	5.0	3064/2513	2734/2293	2227/1819	3285	2403	2183	1642
DOB-6115-NT	16.25X5-11.25	Non-marking	413	16.2	127	5.0	3362/2756	2998/2513	2436/1995	3594	2635	2403	1797
DOB-6116-NT	16.25X6-11.25	Non-marking	413	16.2	152	6.0	4233/3472	3770/3175	3064/2513	4530	3318	3020	2260
DOB-8126-NT	18X6-12.125	Non-marking	457	18.0	152	6.0	4619/3792	4123/3461	3351/2756	4949	3627	3296	2480
DOB-8127-NT	18X7-12.125	Non-marking	457	18.0	178	7.0	5622/4619	5016/4211	4079/3351	6019	4420	4012	3009
DOB-8128-NT	18X8-12.125	Non-marking	457	18.0	203	8.0	6625/5434	5908/4960	4806/4729	7088	5203	4729	3549
DOB-1157-NT	21X7-15	Non-marking	533	21.0	178	7.0	6327/5192	5644/4740	4597/3759	6779	4971	4519	3384
DOB-1158-NT	21X8-15	Non-marking	533	21.0	203	8.0	7452/6118	6658/5589	5412/4431	7981	5853	5324	3990
DOB-2168-NT	22X8-16	Non-marking	559	22.0	203	8.0	7716/6338	6889/5787	5600/4597	8267	6063	5512	4134
DOB-2169-NT	22X9-16	Non-marking	559	22.0	229	9.0	8885/7297	7937/6669	6460/5291	9524	6989	6349	5390

SOLID TIRES

NON-MARKING SMOOTH POB



Superior non-marking compound provides rider comfort, long life, and a great solution for clean tire placement.



PART #	SIZE	COMPOUND	OVERALL DIAMETER		SECTION WIDTH		LOAD LIMITS (LBS)			OTHER VEHICLES			
			mm	inches	mm	inches	Forklifts			6km/h	10km/h (6 mph)	15km/h (9 mph)	25km/h (15 mph)
							10km/h (6 mph) load/steer	15km/h (9mph) load/steer	25km/h (15mph) load/steer				
DOB-4084-NS	14X4.5-8	Non-marking	356	14.0	114	4.5	2579/2116	2304/1929	1874/1312	2767	2028	1841	1378
DOB-6105-NS	16X5-10.5	Non-marking	406	16.0	127	5.0	3329/2734	2965/2491	2414/1973	3560	2612	2370	1786
DOB-6106-NS	16X6-10.5	Non-marking	406	16.0	152	6.0	4211/3461	3759/3164	3064/2513	4519	3307	3009	2260
DOB-1551-NS	15X5-11.25	Non-marking	381	15.0	127	5.0	3064/2513	2734/2293	2227/1819	3285	2403	2183	1642
DOB-6115-NS	16.25X5-11.25	Non-marking	413	16.2	127	5.0	3362/2756	2998/2513	2436/1995	3594	2635	2403	1797
DOB-6116-NS	16.25X6-11.25	Non-marking	413	16.2	152	6.0	4233/3472	3770/3175	3064/2513	4530	3318	3020	2260
DOB-8126-NS	18X6-12.125	Non-marking	457	18.0	152	6.0	4619/3792	4123/3461	3351/2756	4949	3627	3296	2480
DOB-8127-NS	18X7-12.125	Non-marking	457	18.0	178	7.0	5622/4619	5016/4211	4079/3351	6019	4420	4012	3009
DOB-8128-NS	18X8-12.125	Non-marking	457	18.0	203	8.0	6625/5434	5908/4960	4806/4729	7088	5203	4729	3549
DOB-1157-NS	21X7-15	Non-marking	533	21.0	178	7.0	6327/5192	5644/4740	4597/3759	6779	4971	4519	3384
DOB-1158-NS	21X8-15	Non-marking	533	21.0	203	8.0	7452/6118	6658/5589	5412/4431	7981	5853	5324	3990
DOB-2168-NS	22X8-16	Non-marking	559	22.0	203	8.0	7716/6338	6889/5787	5600/4597	8267	6063	5512	4134
DOB-2169-NS	22X9-16	Non-marking	559	22.0	229	9.0	8885/7297	7937/6669	6460/5291	9524	6989	6349	5390
DOB-2201-NS	22X12-16	Non-marking	559	22.0	305	12.0	12375/10175	11066/9295	8998/7370	13371	9829	8855	6641
DOB-2812-NS	28X12-22	Non-marking	711	28.0	305	12.0	14828/12188	13244/11132	10780/8833	16012	11810	10604	7953

SOLID SKID STEER ASSEMBLY



Extra deep lug design provides an aggressive tread pattern for maximum traction. Puncture proof design eliminates down time.



PART #	SIZE	RIM	COMPOUND	OVERALL DIAMETER		SECTION WIDTH		LOAD LIMITS (LBS)		OTHER VEHICLES		
				mm	inches	mm	inches	Counterbalanced Lift Trucks		6km/h (6 mph)	10km/h (15 mph)	25km/h (15 mph)
								load	steer			
DOB-10165-LH	31X10-20	7.50	Standard	790	31.1	251	9.9	N/A	N/A	N/A	N/A	6028
DOB-10165-RH	31X10-20	7.50	Standard	790	31.1	251	9.9	N/A	N/A	N/A	N/A	6028
DOB-12165-LH	33x12-20	7.50	Standard	833	32.8	287	11.3	N/A	N/A	N/A	N/A	7139
DOB-12165-RH	33x12-20	7.50	Standard	833	32.8	287	11.3	N/A	N/A	N/A	N/A	7139





INNER TUBES AND FLAPS

RADIAL PASSENGER

PART #	SIZE	VALVE	BOX QTY
01001	ER-12/13	TR13	10
01009	FR-13/14	TR13	10
01006	FR-15	TR13	10
01003	GR-13/14/15	TR13	10
01004	KR-14/15	TR13	10
01002	FR-12/13	TR13	10
01005	MR-14/15	TR13	10
01007	GR13/14/15	TR15	10
01008	GR/KR-16	TR13	10
01010	GR/KR-16	TR15CW	10
01011	KR-16	TR15CW	10

RADIAL LIGHT TRUCK

PART #	SIZE	VALVE	BOX QTY
11012	LT195/75R-14	TR13CW	10
11001	GR/HR78-15LT	TR13CW	10
11002	7.00/7.50R-15LT	TR150	10
11019	6.50R-16LT	TR150	10
11020	6.50R-16LT	TR15CW	10
11013	6.00/6.50R-16LT	TR440	10
11004	7.00/7.50R-16LT	TR150	10
11014	7.00/7.50R-16LT	TR135	10
11015	7.00/7.50R-16LT	TR13	10
11010	7.00/7.50R-16LT	TR440	10
11003	7.00/7.50R-16LT	TR13CW	10
11005	7.00/7.50R-16LT	TR15CW	10
11016	7.00/7.50R-17/18LT ON CENTER	TR440	6
11011	7.00/7.50R-17/18LT	TR440	6
11017	6.00R-14LT	TR440	10
11018	14/35/36.5R-15/16/16.5LT	TR13	2
11021	8.25/9.00R-16LT	TR440	10
11022	7.50-16LT/7.50-16LT	TR15CW	10

Bias tubes are not for use in radial tires.

RADIAL RV AND WIDE BASE TRUCK

PART #	SIZE	VALVE	BOX QTY
21011	9R-15LT	TR13	6
21010	10/11R-15LT	TR13	6
21012	12R-15LT	TR13	6
21013	35x12.50R-15LT	TR13	8
21001	8.00/8.75R-16.5LT	TR15CW	10
21002	9.50/10R-16.5LT	TR15CW	10
21003	12R-16.5LT	TR15CW	6

RADIAL MEDIUM AND HEAVY TRUCK

PART #	SIZE	VALVE	BOX QTY
31001	7.50R-20	TR441	4
31002	8.25R-20	TR442	4
31004	9.00R-20	TR443	4
31006	10.00R20 12/80R-20	TR444	4
31008	11.00R-20 13/80R-20	TR444	4
31009	12.00R-20 14/80R-20	TR444	4
31010	13.00/14.00R-20/21	TR445	2
31012	10.00R-22	TR444	4
31013	13.00/14.00R24/25	TR179A	2
31025	11.00/12.00R-24/25 HD/NR Mining	TR444	2
31014	11.00R-22	TR444	4
31015	11.00/12.00R-24/25	TR444	2
31016	13.00/14.00R-24/25	TR445	2
31017	16.00R-20/18.00R-20	TR445	1
31018	16.00R-24/25	TR445	1

RADIAL LOW PLATORM TRAILER

PART #	SIZE	VALVE	BOX QTY
11006	7.00/7.50R-15TR	TR440	10
11007	8.25R-15 TR	TR444	4
11008	9.00/10.00/11.00R-15 TR	TR444	2

RADIAL HEAVY DUTY INDUSTRIAL MINING

PART #	SIZE	VALVE	BOX QTY
62500	6.90/6.00R-9	JS2	10
62501	6.50/7.50R-10	JS2	10
62502	7.00R-12 NHS	TR440	10
62503	7.00/7.50-15 NHS	TR440	6
62504	8.25R-15 NHS	TR440	4
62505	28x9R-15 NHS 8.15R-15 NHS	TR440	10

RADIAL HEAVY BASE TUBELESS TRUCK

PART #	SIZE	VALVE	BOX QTY
21019	7/8R-17.5	TR300	4
21020	10R-17.5	TR15CW	6
21021	14R-17.5	TR15CW	2
21022	14R-17.5	TR218A	4
21023	14R-17.5	TR300	4
21008	8/9 R-19.5	TR300	4
21014	15/16.5R-19.5	TR300	1
21004	15R - 19.5	TR218A	1
21015	8/9R-22.5	TR300	4
21016	10R-22.5	TR300	2
21009	11/12.5R-22.5	TR300	2
21017	15/16.5/18R-22.5	TR15CW	1
21006	12.5R-22.5 OFF SET	TR218A	2
21007	11/12R-24.5 OFF SET	TR218A	2
21005	11/12R-24.5	TR218A	2
21018	11/12R-24.5	TR300	2

RADIAL GRADER AND EARTHMOVER

PART #	SIZE	VALVE	BOX QTY
52050	13.00/14.00R-24TG	TR220A	2
52051	13.00/14.00R-24/25	SP-1000	2
52052	13.00/14.00R-24/25	TR220A	2
52030	15.5/17.5R-25	TRJ1175C	2
52031	18.00R-33	TRJ1175C	1
52053	16.00R-24/25	SP-1000	3
31019	16.00R24/25	TRJ1175C	1
52054	18.00R-24/25	SP-1000	2
52055	20.5R-25	SP-1000	1
52056	23.5R-25	SP-1000	1
52057	24/26R-25	SP-1000	1
52058	26.5R-25	SP-1000	1
52059	29.5R-25	SP-1000	1
52060	20.5R-25	TRJ1175C	2
52061	23.5R-25	TRJ1175C	2
52125	23.5-25	TR 179	1



RADIAL REAR FARM

PART #	SIZE	VALVE	BOX QTY
41023	11.2/12.4R24	TR218A	2
41001	14.9/16.9/17.5LR-24	TR218A	2
41035	19.5LR24	TR218A	2
41002	18.4/19.5/21LR-24	TR218A	3
41003	13.6/14.9R-26	TR218A	2
41005	23.1R-26	TR218A	2
41036	28LR-26	TR218A	1
41000	12.5/30.5R-15/16	TR218A	8
41006	16.9/18.4R-28	TR218A	1
41004	8.3/9.5R-24	TR218A	2
41037	9.5/11.2/12.4R-42	TR218A	2
41039	8.3/9.5R-22	TR218A	2
41025	9.5R28	TR281A	2
41026	11.2/12.4R28	TR218A	2
41007	13.6/14.9R-28	TR218A	2
41016	14.9/16.9/18.4R-30	TR218A	1
41009	23.1R-30	TR218A	1
41010	24.5R-32	TR218A	1
41017	30.5LR-32	TR218A	1
41029	13.6/14.9R-34	TR218A	1
41011	16.9/18.4R34	TR218A	1
41012	20.8R-34	TR218A	2
41030	23.1R-34	TR218A	1
41031	11.2/12.4R-34/36	TR218A	2
41022	12.4/13.6R-36	TR218A	2
41032	11.2/12.4R-36/38	TR218A	2
41033	9.5R-32	TR218A	2
41034	9.5R-48	TR218A	2
41013	13.6/15.5R-38	TR218A	2
41014	16.9/18.4R-38	TR218A	1
41015	20.8R-38	TR218A	1
41018	18.4/20.8R-42	TR218A	1
41019	12.4/13.6/14.9R-46	TR218A	4
41020	16.9/18.4R-46	TR218A	1
41040	16.9/18.4R50	TR218A	1

BIAS MOBILE HOME

PART #	SIZE	VALVE	BOX QTY
22002	7/8/9-14.5MG	TR300	10

BIAS LIGHT TRUCK

PART #	SIZE	VALVE	BOX QTY
12017	6.70/7.00/7.10-15LT	TR15CW	10
12018	6.00/6.50-16LT TR15	TR15CW	10
12006	7.50-17/18 TR15	TR15CW	6

BIAS RV AND WIDE BASE TRUCK

PART #	SIZE	VALVE	BOX QTY
12500	10/11-15LT	TR13	6
12501	8.00/8.75-16.5LT	TR15CW	6
12502	9.50/10-16.5LT	TR15CW	10
12503	12-16.5 LT	TR15CW	6

BIAS MEDIUM AND HEAVY TRUCK

PART #	SIZE	VALVE	BOX QTY
32014	6.50/7.00-20	TR440	4
32002	8.25-20	TR442	4
32004	9.00-20	TR443	4
32006	10.00-20	TR444	4
32015	13.00/14.00-20/21	TR445	2
32012	11.00/12.00-24/25	TR444	2
32013	13.00/14.00-24/25	TR445	2
32016	1600-24/25	TRJ1175C	2

BIAS GRADER AND EARTHMOVER

PART #	SIZE	VALVE	BOX QTY
52017	13.00/14.00-20TG	TR220A	2
52018	13.00/14.00-24G	TRJ1175C	2
52010	13.00/14.00-24G	TR220A	2
52011	13.00/14.00-24/25	SP-1000	2
52012	13.00/14.00-24/25 HEAVY DUTY	TR220A	2
52014	15.5/17.5-25	TRJ1175C	3
52015	16.00-24/25	TR220A	1
52013	20.5-25	TRJ1175C	1

BIAS FRONT FARM

PART #	SIZE	VALVE	BOX QTY
62003	4.00/5.00/5.90-15SL	TR15	10
62004	6.40/6.50/7.00-15	TR15	10
62005	7.50/7.5L-15SL	TR15	10
62017	7.50-24	TR218A	2
62007	5.50/5.90/6.00-16SL	TR15	10
62008	6.50/7.00/7.50-16	TR15	10
62006	7.60-15	TR15	10
62023	7.50/8.00-16	TR15	10
62040	750-16	T218A	10
62026	8.3/9.5-16SL	TR15CW	10
62022	900-10	TR218A	10
62024	600-16	TR218A	10
62009	9.00-16	TR15CW	6
62010	10.00-15/16	TR15CW	6
62011	11.00-16SL	TR15CW	4
62027	11.00-16SL	TR150	4
62016	10/11.00-16	TR218A	4
62012	6.50/7.00/7.50-18SL	TR15	4
62028	4.00-18/19SL	TR15CW	10
62029	8.3/9.5/10.5L/12.5L-18/20	TR15CW	10
62030	8.3/9.5/10.5L/12.5L-18/20	TR218A	10
62031	27x8.50/9.50/10.50-15	TR15CW	10
62014	7.50/8.25-20SL	TR15	4
62015	9.00/9.50/10.00-20SL	TR15CW	4
62013	8.3-9.5-22	TR218A	4

SKID STEER AND MINI LOADER

PART #	SIZE	VALVE	BOX QTY
74002	27X8.50/9.50/10.50-15	TR15CW	10
74003	10-16.5	TR15CW	6
74004	12-16.5	TR15CW	6
74005	14-17.5	TR15CW	6
74006	15-19.5	TR15CW	2

BIAS REAR FARM

PART #	SIZE	VALVE	BOX QTY
42002	8.3/9.5-24	TR218A	2
42003	11.2/12.4-24	TR218A	2
42005	14.9/16.9/17.5-24	TR218A	2
42006	13.6/12-24/26 14.9/13-26	TR218A	2
42025	19.5L-24 STD DUTY	TR218A	2
42026	18.4-24 HEAVY DUTY	TR218A	2
42007	16.9/18.4-28	TR218A	1
42008	23.1-26	TR218A	2
42028	28L-26	TR218A	1
42009	11.2/12.4-28SL	TR218A	2
42019	13.6/14.9-28	TR218A	2
42010	16.9/18.4-30	TR218A	1
42011	23.1-30	TR218A	1
42020	9.5-32	TR218A	2
42017	16.9/18.4-34	TR218A	1
42027	20.8-34	TR218A	2
42029	23.1-34	TR218A	1
42021	9.5-36	TR218A	2
42015	11.2/12.4-34/36	TR218A	2
42012	9.00/11.2/12.4-36/38	TR218A	2
42016	13.6/14.9/15.5-38	TR218A	1
42022	16.9/18.4-38	TR218A	1
42023	20.8-38	TR218A	2
42024	12.4-42	TR218A	2
42040	380/420-50	TR218A	1
42014	56x16	TR440	2

BIAS FARM IMPLEMENT

PART #	SIZE	VALVE	BOX QTY
62018	9.00-10	TR150	10
62019	6-12 SL	TR13	10
62021	6-14 SL	TR13	10
52001	8.5L/9.5L-14/15SL	TR13	10
52020	8.5L/9.5L-14/15SL	TR15CW	10
52002	11L-14SL	TR13	10
52019	11L/12.5L-15/16	TR15	4
52003	11L-15 SL 8" Rim	TR15	10
52016	10.5/11.5/80-15.3	TR15	6
52004	11L-15/16SL	TR15CW	4
52005	11L-15/16SL	TR218A	4
52006	12.5L-15/16SL	TR15CW	4
52007	12.5L-15/16SL	TR218A	4
52009	14L-16.1SL	TR15CW	2
52008	13.50/16.5L-16.1SL	TR218A	2
62025	18.4/19L/21.5L-16.1SL	TR218A	1
62033	40x14	TR78A	2

HEAVY DUTY INDUSTRIAL MINING

PART #	SIZE	VALVE	BOX QTY
72025	4.80/4.00-8/9;5.00-8	TR87	10
72026	4.80/4.00-8/9 NHS	TR135	10
72015	5.70/5.00-8	TR13	10
72027	5.70/5.00-8 NHS	JS2	10
72006	6.90/6.00-9	TR87	10
72028	6.90/6.00-9 NHS	JS2	10
72029	6.90/6.00-9	TR150	10
72030	6.90/6.00-9	TR440	10
72031	6.50/7.00/7.50/9.00L-10 NHS	TR87	10
72032	6.50/7.50/9.00L-10	JS2	10
72013	7.00-12 NHS	TR440	10
72014	7.00/7.50-15 NHS	TR440	10
72035	28x9-15 NHS 8.15-15 NHS, 25x7.50-15 NHS, 27x9.50-15 NHS, 29x8-15 NHS 7.00L-15 NHS, 30x8-15 NHS	TR440	10

HEAVY DUTY INDUSTRIAL MINING

PART #	SIZE	VALVE	BOX QTY
72036	28x9-15/8.15-15-30x8-15NHS	TR442	10
72037	8.25-15 NHS	TR440	10
72021	8.25-15 NHS	TR442	10
72023	36X11-15 NHS; 10.00-15 NHS; 11.00-15 NHS	TR440	10
72010	6.50/7.00/7.50-10 NHS	TR135	10
72011	6.50/7.00/7.50-10	TR440	10
72008	6.50/7.00/7.50/9.00L-10	TR440	10
72019	5.70-12 SIZE	TR87	10

GO KART AND SLOW SPEED

PART #	SIZE	VALVE	BOX QTY
80001	2.80/2.50-4 NHS	TR87	10
80003	4.10/3.50-4 NHS	TR87	10
80004	4.10/3.50-4 NHS	TR13	10
80005	3.40/3.00-5 NHS	TR87	10
80006	4.10/3.50-5 NHS	TR87	10
80007	4.10/3.50-5 NHS	TR13	10
80008	11x4.00-5 NHS	TR87	10
80009	4.10/3.50-6 NHS	TR87	10
80010	4.00-6 NHS 4.10/3.50-6	TR13	10
80011	5.30/4.50-6 NHS	TR87	10
80012	3.50/4.00-8 NHS	TR87	10
80014	6.90/6.00-9 NHS	TR13CW	10
80015	6.90/6.00-9 NHS	TR15	10
80016	3.50/4.00-8 NHS	TR13	10



LAWN AND GARDEN

PART #	SIZE	VALVE	BOX QTY
75001	13x5.00/6.50-6 NHS	TR13	10
72002	16x6.50/7.50-8 NHS	TR13	10
75004	20x8.00-8	TR13	10
72022	18x8.50/9.50-8	TR13	10
72003	23.5x8.5-12 NHS	TR13	10
75003	15x6.00-6 NHS	TR13	10
75006	23 X 10.50-12 NHS	TR13	10
75007	7.50/8.00-16SL	TR15	10
75008	26x12-12	TR13	10

ATV AND UTV

PART #	SIZE	VALVE	BOX QTY
85002	16x8.00-7	TR6	10
85004	18x8.50/9.50-8	TR6	10
85005	22x11-8	TR13	10
85006	20x7-8	TR6	10
85007	20 X 7-8; 21/22 X 12-8	TR13	10
85008	25x12/13.5-9	TR6	10
85009	25x12/13.5-9	TR13	10
85010	20x8/21x7-10	TR6	10
85011	23/24/25x8.00/9.00-10/11/12	TR4	10
85012	25x8-10	TR6	10
85013	20X10/11R10	TR4	10
85014	24/26X12R12	TR4	10
85015	27X9R12	TR4	10
85016	26X8R14	TR4	10

BOAT TRAILER

PART #	SIZE	VALVE	BOX QTY
72016	4.80/4.00-8/9	TR13	10
72007	6.90/6.00-9	TR135	10
86006	20.5x8.00-10	TR13	10
72017	4.80/4.00-1226X8R14	TR13	10

GOLF CART TUBES

PART #	SIZE	VALVE	BOX QTY
87001	8.00-6 NHS	TR87	10

HEAVY DUTY WIDE FLOTATION MINING

PART #	SIZE	VALVE	BOX QTY
90002	18x7-8 NHS	TR87	10
90003	18x7-8 NHS	JS2	10
90004	18x9-8 NHS	TR150	10
90005	18x9-8 NHS	TR440	10
90006	21x8/9-9 NHS	JS2	10
90007	21x8-10 NHS	TR150	10
90008	23x8/9-10 NHS	TR440	10
90009	27x15-10 NHS	TR440	10
90011	25x12-12 NHS;27X10-12 NHS	TR440	10
90012	27x12-15 NHS	TR440	10
90013	29x10-15 NHS	TR441	8
90015	250-15 NHS	TR440	10
90016	300-15 NHS	TR441	10
90017	7.50-16 NHS	TR440	10
90022	38x18.00-20 NHS	TR15CW	10

SEVERE SERVICE REAR FARM

PART #	SIZE	VALVE	BOX QTY
44016	16.9/18.4R-30	TR87	10
44036	28LR-26	JS2	10
44010	24.5R-32	TR150	10
44017	30.5LR-32	TR440	10
44011	16.9/18.4R-34	JS2	10
44014	16.9/18.4R-38	TR150	10
44015	20.8R-38	TR440	10
44018	18.4/20.8R-42	TR440	10
44012	14.9 / 16.9 / 17.5 LR 24	TR440	10
44020	13.6 / 14.9 R 26/28	TR440	10
44022	16.9 / 18.4 R 26/28	TR441	8
44024	13.6 / 14.9 R 28/30	TR440	10
44032	23.1 R 26	TR441	10
44028	20.8 R 34	TR440	10
44026	13.6/14.9/15.5 R38	TR15CW	10

NATURAL RUBBER TUBES

PART #	SIZE	VALVE	BOX QTY
43001	11L-15/16SL	TR218A	2
43002	18.4/19.5/21LR-24	TR218A	2
43007	16.9/18.4R-28	TR218A	1
43008	10-16.5	TR15	6
43009	12-16.5	TR15	6
43018	9.5R-24	TR218A	2
43019	11L-15/16SL	TR218A	4
43021	16.9/18/4R-34	TR218A	1
43022	23.1R-26	TR218A	1
43024	18.4R-42	TR218A	1
43026	28LR-26	TR218A	1
43027	16.9/18.4R-30	TR218A	1
43028	24.5R-32	TR218A	1
43029	30.5LR-32	TR218A	1
43030	16.9/18.4R-38	TR218A	1
43031	20.8R-38	TR218A	1
43039	11.2/12.4R-24	TR218A	2
43040	14.9R-24	TR218A	2
43041	11.2R-38	TR218A	2
43042	11.2/12.4R-28	TR218A	2
43043	13.6/14.9R-28	TR218A	2
43044	710/70R-42	TR218A	1
43045	15.5R-38	TR218A	1
43046	8.5/9.5L-14/15 SL	TR15	4
43047	11L-15/16SL	TR15	4
43048	12.5L-15/16SL	TR15	4
43049	11L/12.5L-15/16SL	TR15	4



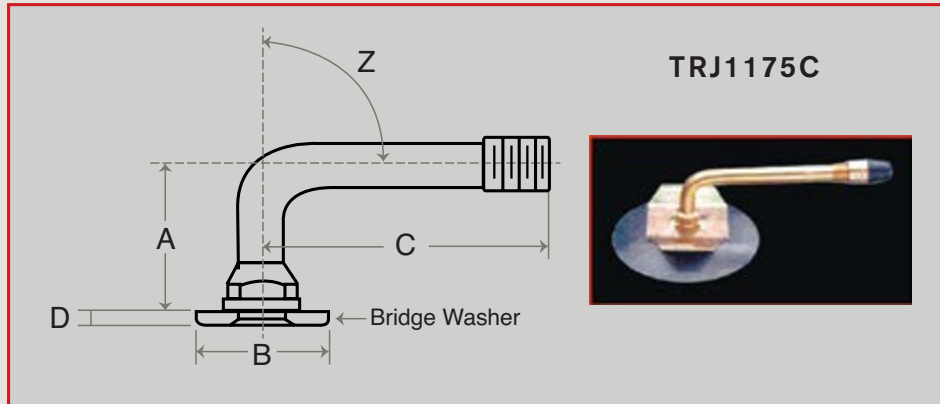
FLAPS

PART #	SIZE	VALVE	BOX QTY
99007	500-8 OFF SET		12
99008	6.00-9		12
99009	6.50/7.50-10		12
99010	7.00-12		12
99011	6.50x8.25R-15		12
99012	6.50/8.25R-16		12
99013	7.50/8.25/9.00R-20		10
99014	15.5/17.5-25		5
99015	10.00-20		10
99016	13.00/14.00-24/25		5
99017	16.00-20/21		5
99018	16.00-24		5
99019	20.5-25		3
99020	23.5-25		3
99021	26.5-25		2
99022	56x16-28		5
99023	10.00R15		10
99024	9.00/10.00/11.00R-16		10
99026	11.00/12.00R-24		6
99027	13/14.00R-20		5
99028	13/14.00-20 3/4 OFF SET		5
99029	13/14.00-24 3/4 OFF SET		5
99030	7.00/8.25R-15 OFF SET		12
99031	7.00/8.25R-16 OFF SET		12
99032	7.00-17		10
99033	7.00-18		10
99034	10.00/12.00R-22		10
99037	23x10-12		12
99039	40x14-16		5
99040	36x11R-16		5
99041	44x16R-18		5
99042	49x17R-20		5

All flaps are on center
unless otherwise noted.

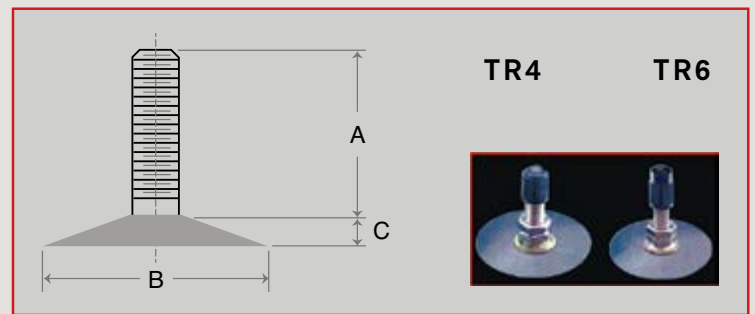
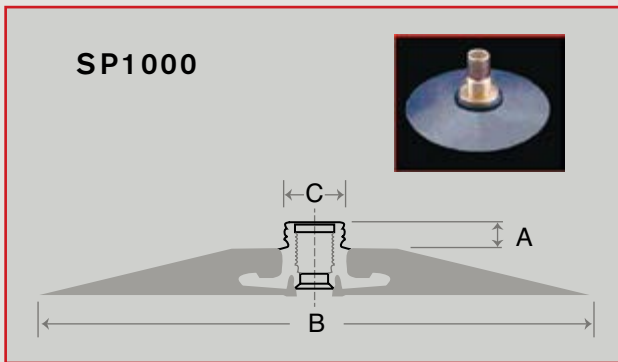
VALVE GUIDE INNER TUBE VALVES

VALVE #	A		B diameter		C		D		Bend Angle Z
	mm	Inches	mm	Inches	mm	Inches	mm	Inches	
TRJ1175C	35.05	1.38	31.75	1.25	104.90	4.13	4.06	0.16	88 Degree



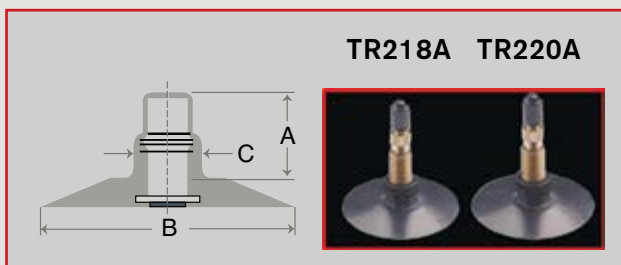
VALVE #	A		B diameter		C diameter	
	mm	Inches	mm	Inches	mm	Inches
SP100	5.59	0.22-0.03	97.79	3.85	12.19	0.48

VALVE #	A		B diameter		C diameter	
	mm	Inches	mm	Inches	mm	Inches
TR4	29.46	1.16	4.45	1.75	5.59	0.22
TR6	29.46	1.16	4.45	1.75	5.59	0.22



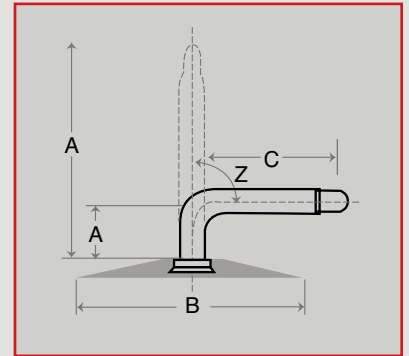
VALVE #	A		B diameter		C diameter	
	mm	Inches	mm	Inches	mm	Inches
TR218A	23.88	0.94	63.50	2.50	16.26	0.64
TR218A	34.04	1.34	63.50	2.50	16.26	0.64

EQUIVALENCE CHART			
TR440	TR460	TR75A	Bent Length
440	460	75A	2.99"
441	461	177A	3.74"
442	462	77A	4.13"
443	463	175A	4.53"
444	464	78A	5.00"
445	465	179A	5.55"

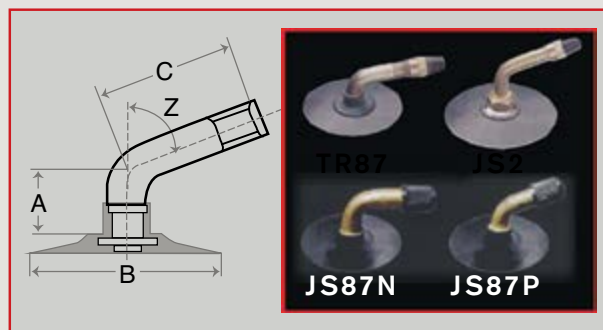
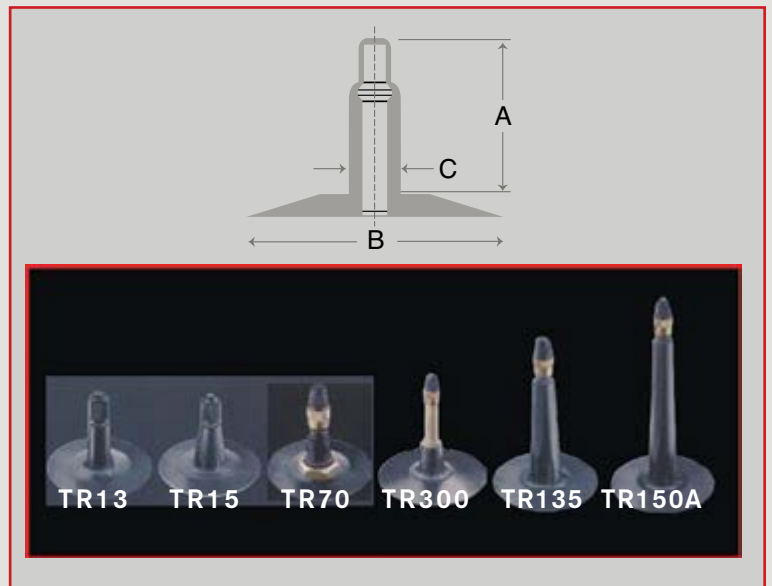


VALVE GUIDE INNER TUBE VALVES

VALVE #	A		A*		B diameter		C		Bend Angle Z
	mm	Inches	mm	Inches	mm	Inch	mm	Inches	
TR75A	95.00	3.74	23.88	0.94	79.50	3.13	75.95	2.99	86 Degree
TR77A	123.95	4.88	23.88	0.94	95.25	3.75	104.90	4.13	86 Degree
TR78A	146.05	5.75	23.88	0.94	82.55	3.25	127.00	5.00	86 Degree
TR175A	134.11	5.28	23.88	0.94	82.55	3.25	115.06	4.53	86 Degree
TR177A	114.05	4.49	23.88	0.94	82.55	3.25	95.00	3.74	86 Degree
TR179A	160.02	6.30	23.88	0.94	95.25	3.75	140.97	5.55	86 Degree
TR227	73.66	2.90	28.45	1.12	82.55	3.25	50.04	1.97	86 Degree



VALVE #	A		B diameter		C diameter	
	mm	Inches	mm	Inches	mm	Inches
TR13	35.05	1.38	55.88	2.20	11.68	0.46
TR13	35.05	1.38	55.88	2.20	16.51	0.65
TR70	27.94	1.10	81.28	3.20	12.19	0.48
TR135	63.50	2.50	55.88	2.20	15.49	0.61
TR150A	88.39	3.48	56.90	2.24	15.49	0.61
TR300	50.04	1.97	70.10	2.76	15.75	0.62



VALVE #	A		B diameter		C		Bend Angle Z
	mm	Inches	mm	Inches	mm	Inches	
TR87	14.99	0.59	44.45	1.75	32.37	1.31	90 Degree
JS87N	14.99	0.59	45.00	1.77	30.00	1.18	90 Degree
JS87P	14.99	0.59	45.00	1.77	27.50	1.08	70 Degree
JS2	25.91	1.02	55.88	2.20	33.27	1.31	70 Degree

NOTES

DOBERMANN



