



# LIFTGATE

## REPLACEMENT PARTS

### CATALOG VOL. 3



800-727-8543

[NATIONALLIFTGATE.COM](http://NATIONALLIFTGATE.COM)



## QUALITY LIFTGATE REPLACEMENT PARTS

- ▶ **Competitively Priced Replacement Parts**
- ▶ **NLP Experts to Help with Product Specification and Availability**
- ▶ **Phone, Fax or Email Orders For Fast Response**
- ▶ **In Stock Orders Placed by 3:00 PM Eastern Time Ship the Same Day**
- ▶ **Free Delivery on Liftgate Part Orders Over \$1000 in Continental US**
- ▶ **Quantity Discounts**
- ▶ **Marketing Materials Available**

## TERMS AND CONDITIONS

*Credit terms are C.O.D. unless credit has been established with National Liftgate Parts. We accept Visa, Master Card, American Express and Discover Cards.*

*Minimum Order is \$30.00 US.*

*Freight Prepaid on orders over \$1000 on stock items, to continental US only (except special order parts and display items). There will be a \$35 charge for NSF checks returned.*

*All returns must be accompanied by an authorization number subject to approval by National Liftgate Parts. A 20% Restocking Fee will be applied on returned items in salable condition.*

*We warrant for a period of nine (9) months from the date of shipment that articles supplied by National Liftgate Parts will be free from defects in materials and workmanship. We agree to repair, or at our option, to replace (F.O.B. our warehouse) articles found to be defective in material or workmanship which are brought to our attention within nine (9) months from date of shipment. No claims for damages or for labor or expense required for repair of defective articles or caused by them will be allowed. THE WARRANTIES SET FORTH HEREIN ARE IN LIEU OF ALL OTHER WARRANTIES, EXPRESS OR IMPLIED, INCLUDING, BUT NOT LIMITED TO, ANY IMPLIED WARRANTY OF MERCHANTABILITY OR FITNESS FOR A PARTICULAR PURPOSE, ALL OF WHICH ARE EXPRESSLY DISCLAIMED.*

*Use of original equipment and manufacturer's names and/or part numbers is for identification purposes only, and in no way is meant to imply that National Liftgate Parts products are authorized or in any way affiliated with those manufacturers. National Liftgate Parts items are not made by, sponsored by, or otherwise affiliated with Air-Flow, Anthony, Artic, AutoCrane, Blizzard, Boss, Braun, Buyers, Curtis, DelAmerica, Desert, Diamond, Eagle, Fisher, Hesselman, Hiniker, Iskra, Leyman, Maxon, MBB-Interlift, Meyer, Monarch/Bucher, MTE, Northman, Pierce, Prestolite, Ramsey, Santa Anita, Snow-King, Snow Dogg, SnoWay, SPX/Stone/Fenner, SuperWinch, Thieman, Tommy Gate, Ultron, Venco, Ventura, Viking, Waltco, Warn, Western or any others.*

*These Terms and Conditions supersede all previous Terms and Conditions.*

*COPYRIGHT 2012*

**Toll Free 800.727.8543 • Local 513.330.7700 • Fax 513.330.7707**

**National Liftgate Parts, 6550 Wiehe Rd., Cincinnati, OH 45237**





# TABLE OF CONTENTS

## SECTION 1: COMPONENTS

<b>REMOTE CONTROLS</b> .....	2
Hand-Held, Weatherproof, Pistol Grip, Boxes	
<b>SWITCHES &amp; WIRE PRODUCTS</b> .....	4
Start & Toggle, Circuit Breakers, Trailer Plugs, Retractable & Service Cords	
<b>START SOLENOIDS &amp; SWITCHES</b> .....	8
Positive, Negative, Special, Kits	
<b>COUPLERS</b> .....	11
<b>MOTORS</b> .....	12
Regular Duty, Heavy Duty, Thermal, Winch & Crane, With Solenoid	
<b>VALVES</b> .....	18
Drain and Valve Kits	
<b>PUMP KITS</b> .....	21
Pump Kits, Filter Kits, Oil Seals	
<b>POWER UNITS</b> .....	22
Power Up-Gravity Down, Power Up-Power Down, Manual	
<b>RESERVOIRS</b> .....	26
Metal, Poly, Plastic, Vent Caps, O-Rings	
<b>CYLINDERS</b> .....	30

## SECTION 2: MANUFACTURERS

<b>ANTHONY</b> .....	A1
<b>INTERLIFT</b> .....	I1
<b>LEYMAN</b> .....	L1
<b>MAXON</b> .....	M1
<b>THIEMAN</b> .....	T1
<b>TOMMY</b> .....	TG1
<b>WALTCO</b> .....	W1

## SECTION 3: INDICES

<b>By NLP Part Number</b> .....	NLP1
<b>By Manufacturer and OE Part Number</b> .....	OE1

# REMOTE CONTROLS

## HAND HELD REMOTE



**BPL2783** 4-Wire, Dual Action

**BPL2784** 4-Wire, Wired to 4-Conductor Male Plug

**BPL2786** 3-Wire Control

**BPL2787** 3-Wire Control, Wired to 4-Conductor Male Plug

◀ **BPL2788** 3-Wire Control and Holster

**BPL2789** Holster

## NEW STYLE WEATHERPROOF



**BPL2870** Single or Double Pole

◀ **BPL2871** Wired with 10 ft. 16/3 Cord

**BPL2872** Wired with 16/3 Cord and 4-Conductor Male Plug

**BPL2873** Wired with 16/3 Retractable Cord

**BPL2874** Wired with 16/3 Retractable Cord and 4-Conductor Male Plug

**BPL2876** Wired with 10 ft. 16/4 Cord

**BPL2877** Wired with 16/4 Cord and 4-Conductor Male Plug

**BPL2878** Wired with 16/4 Retractable Cord

**BPL2879** Wired with 16/4 Retractable Cord and 4-Conductor Male Plug

## REMOTE OR SCREW MOUNT



**BPL2770** Single Pole or Double Pole

**BPL2771** Wired with 10' 16/3 Cord

**BPL2772** Wired with 16/3 Cord, 4-Conductor Male Plug

**BPL2773** Wired with 16/3 Retractable Cord

◀ **BPL2774** Wired with 16/3 Retractable Cord and 4-Conductor Male Plug

**BPL2776** Wired with 10' 16/4 Cord

**BPL2777** Wired with 16/4 Cord, 4-Conductor Male Plug

**BPL2778** Wired with 16/4, retractile cord

**BPL2779** Wired with 16/4, retractile cord, 4-Conductor Male Plug



# REMOTE CONTROLS



## SWITCH ASSEMBLY

**NLM4346**  
3-Wire  
Replacement



**NLM4951**  
4-Wire  
Replacement



**WPL2745**  
3-Wire OE  
Raise/Lower Switch

**WPM2449**  
3-Wire OE  
Open/Close Switch

## HAND CONTROLS

### PUSH BUTTON BOX



**BPL2700** Box with two 2-Terminal push buttons (gravity down)

**BPL2713** 2-Terminal Push Button

**BPL2701** Box with two 3-Terminal push buttons (power down)

**BPL2720** 3-Terminal push button

**BPL2704** Box, gasket, plate, screws, strain relief

**BPL2717** Wired, ready to mount with two 2-Terminal push buttons (gravity down)

**BPL2722** Wired, ready to mount with two 3-Terminal push buttons (power down)



### TOGGLE BOX

**BPL2750** Complete box wired, ready to mount

**BPL2760** 3-Terminal toggle switch

**BPL2752** Box with toggle switch ready for wire and mounting

**BPL2755** Box, gasket, plate, screws, strain relief (no toggle; no boot)

**BPL2758** Complete box wired with sealed toggle switch ready to mount, epoxy coated, weather resistant

**APL2740** 3-Terminal toggle switch

## PISTOL GRIP TOGGLE REMOTE



**BPL2790** Hard rubber remote with toggle, blade terminals

**BPL2791** Wired with 16/3 straight cord

**BPL2792** Wired with 16/3 cord, 4 conductor plug

**BPL2793** Wired with 16/3 retractile cord

**BPL2794** Wired with 16/3 retractile cord, 4 conductor plug set

# SWITCHES

## HEAVY DUTY TOGGLE SWITCH

### SINGLE POLE, SINGLE THROW, 2-TERMINAL



.250 BLADE NLP NO.	SCREW MOUNT NLP NO.	CIRCUIT POSITION		
		A	B	C
APL2752	APL2753	On	-	Off
APL2754	APL2755	On*	-	Off
APL2756	APL2757	On	-	Off*

### SINGLE POLE, DOUBLE THROW, 3-TERMINAL



.250 BLADE NLP NO.	SCREW MOUNT NLP NO.	CIRCUIT POSITION		
		A	B	C
BPL2759	BPL2761	On	-	On
BPL2763	BPL2764	On	-	On*
BPL2766	BPL2767	On	Off	On
BPL2760	BPL2765	On*	Off	On*
BPL2768	BPL2769	On	Off	On*

## SEALED TOGGLE, DOUBLE THROW



SCREW MOUNT				CIRCUIT POSITION		
NLP NO.	LEYMAN	POLE	TERMINALS	A	B	C
APL2740	P46441	Single	3 Screw	On*	Off	On*
P46724	P46724	Single	3 Blade	On*	Off	On*
APL2765	P46442	Double	6 Screw	On*	Off	On*
P46725	P46725	Double	6 Blade	On*	Off	On*

\*Indicates Momentary Action of Switch

## SWITCH BOOTS



**BPL2756**  
Rubber .9375" x .375"  
Screws on .4375" thread



**BPL2757**  
Half Boot



**BPL2762**  
Rubber 1.1875" x .4375"  
Screws on .4375" thread

## CALL NLP TODAY



**800.727.8543**  
**513.330.7700**

Experience immediate, friendly  
service from product experts

# CIRCUIT BREAKERS & SWITCHES

## CIRCUIT BREAKERS

### MANUAL RESET



NLP NO.	AMP
APL9005	50
APL9009	90
APL9012	120
APL9015	150



APL9025	Flush Mount 150
---------	--------------------

### ATC FUSES



NLP NO.	AMP
FUS1103	3
FUS1105	5
FUS1106	6
FUS1107	7.5
FUS1108	8
FUS1110	10
FUS1115	15
FUS1120	20
FUS1125	25
FUS1130	30
FUS1140	40

## PUSH BUTTON SWITCHES

### SCREW TERMINAL With Cap



**BPL2713 CH90030**  
2-Terminal

**CH9216-03**  
2-Terminal  
O-Ring Seal

**BPL2720 CH9276-09**  
3-Terminal

**BPL2714**  
Screw-On Cap Only,  
Black Rubber

## ROTARY SWITCHES

### 6-36V, 2-TERMINAL MASTER DISCONNECT



**APL9653**  
SPST Off-On



**CH2484**  
Single Pole  
2 Positions: Off-On  
Plated Steel Case



**CH2484-19**  
Single Pole  
2 Positions: Off-On  
Indexing Pin and Key



**CH75712-04**  
HD 50A, DPDT  
Spring Return of Lever to  
Off from Both Positions

## ROCKER SWITCHES

### 3-SCREW TERMINAL



**BPL2730**  
Sealed Single Pole  
Momentary

### 3-BLADE TERMINAL Off-On SPST Pilot Light Dependent



**CH58328-04**  
Red Lens

**CH58328-11**  
Green Lens

**CH54003**  
Red Lighted Actuator  
Narrow Body



# TRAILER PLUGS

## 1-POLE DISCONNECT



**BPL2601 CH11041**

Socket Male Connect  
Rubber Boot  
2" Mounting Hole

**BPL2602 CH11042**

Plug Female Connect  
Spring Grip Tension



**BPL2600**

Plug & Socket Combination

## 2-POLE DISCONNECT



**BPL2611 CH11041-06**

Dual Pole Socket  
Male Connect  
2" Mounting Hole

**BPL2612 CH11042-05**

Dual Pole Plug  
Female Connect  
Flexible Cable Protector



**BPL2610**

Plug & Socket Combination

## 4-POLE DISCONNECT



**BPL2620**

Plug & Socket Combination

**BPL2621 CH1253**

Plug Female Connect  
1.375" Mounting Hole  
Flexible Cable Protector

**BPL2622 CH1232**

Socket Male Connect  
1.375" Mounting Hole

## 6-POLE DISCONNECT



**CH1235**

Socket Male Connect  
1.375" Mounting Hole

**CH1254**

Plug Female Connect  
Flexible Cable Protector



## UNIVERSAL CONNECTORS

Weatherproof Connector  
Wire Lead Assembly  
16AWG Wire  
6" Long Leads

**2-Pole Pair**

**CH11172**



**3-Pole Pair**

**CH11173**



**5-Pole Pair**

**CH11135**



## WE MAKE ORDERING EASY:



800.727.8543 • local 513.330.7700



fax 513.330.7707



sales@NationalLiftgate.com

# WIRE PRODUCTS



## SINGLE POLE CHARGE LINE

### ELW3041

Bonded 4 Gauge Copper

Rated 200 Amps

1-Post, Single Pole

Stretches to 14'



## DUAL POLE CHARGE LINE

### ELW3042

4 Gauge for Tractor Charge Lines

Includes Male Plugs

2-Post

Stretches to 12-1/2'



## RETRACTILE CORDS

### ELW3163

16/3, 16 Gauge, 3-Conductor,

SJEO, 300V, Oil Resistant

Stretches to Fit 4 to 20'

### ELW3164

16/4, 16 gauge, 4-Conductor

SJEO, 300V, Oil Resistant

Stretches to Fit 4 to 20'



## SERVICE CORD

### ELW2163

16/3, SJEO, Black, 100' Roll, 300V

### ELW6163

16/3, SO, Black, 100' Roll, 600V

### ELW6164

16/4, SO, Black, 100' Roll, 600V

### ELW6165

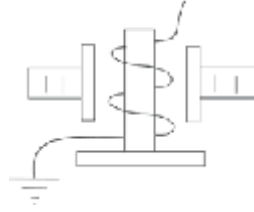
16/5, SO, Black, 100' Roll, 600V

### ELW6166

16/6, SO, Black, 100' Roll, 600V

# START SOLENOIDS

**3-POST  
POSITIVE  
TO EXCITE,  
GROUNDED**



**APL3000  
CH24106**  
Flat Base  
Heavy Coil & Spring



**APL3010**  
Curved Base  
Heavy Coil & Spring

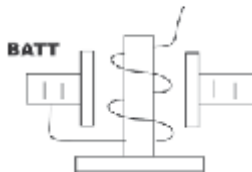


**APL3020**  
Curved Base  
Black Bakelite



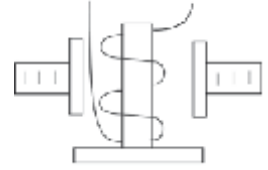
**APL3094**  
Curved Base  
Maxon Replacement

**NEGATIVE  
TO EXCITE,  
INSULATED**



**BPL3000  
CH24115**  
Flat Base  
Heavy Coil & Spring

**4-POST  
INSULATED**



**APL3004  
CH24059**  
Flat Base



**APL3014**  
Curved Base



**APL3024**  
Curved Base  
Black Bakelite



**P34016**  
Curved Base  
Trombetta



**APL3096**  
Curved Base  
Continuous Duty



**CH24213**  
Flat Base  
200A  
Continuous Duty



# START SOLENOIDS

## SPECIAL SOLENOIDS



### APL3044

12V DC  
Bear Solenoid  
4-Post  
Continuous Duty  
225A at Maximum  
Contact Peak 600  
*For Dump Units and  
Blizzard Snowplows*



### APL4000

6-Post  
Insulated  
Winch Solenoid  
*Fits winches with  
round solenoid assembly  
mounted on winch*



### APL3051

12V and 24V DC  
Waterproof to IP67  
Sealed Construction  
Non-Weldable Contacts  
Terminals Cannot be  
Overtightened  
Contact Peak 600  
*For Liftgates, Cranes,  
Snowplows and  
Wreckers*



### APL4001

5-Post  
Positive to Excite  
Winch Solenoid  
*Fits winches with  
round solenoid assembly  
mounted on winch*



### CH24450

Motor Reversing 12V  
DPDT Intermittant Duty  
Common Ground Coil



### APL9200

Solenoid Cable  
4 GA x 6-5/8" Long  
3/8" Lug at Each End

## We ARE Your Best Supplier

- ▶ The Products You Need
- ▶ Always Competitively Priced
- ▶ Always Reliable Quality

## CALL NLP TODAY



800.727.8543  
513.330.7700

Experience immediate, friendly  
service from product experts

# START SWITCHES



## START SWITCHES

**APL2250**  
Push Button, Dimmer Style



**APL2252**  
Jam-Type Cannister



**BPL2250**  
Screw-Type Cannister



**BPL2254**  
Condenser Valve Switch

## MOUNTING KITS



**APL2263**  
Kit without Switch Cap or Stem



**BPL2260**  
Kit without Switch



**BPL2297**  
Kit without Switch

## COMPLETE SWITCH & MOUNTING KITS



**APL2260**  
Kit (APL2263) with APL2250



**APL2265**  
Kit (APL2263) with APL2252



**BPL2270**  
Kit (BPL2260) with APL2250

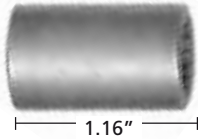


**BPL2290**  
Kit (BPL2260) with BPL2250

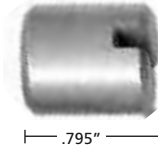


**BPL2295**  
Kit (BPL2297) with APL2250

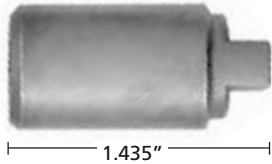
# COUPLERS



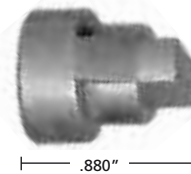
**APP1004**  
9-Spline to 16-Spline



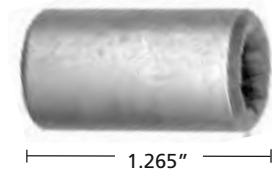
**APP1016**  
9-Spline to Female Tang



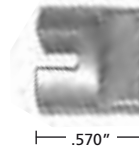
**APP1005**  
Male Tang to 9-Spline



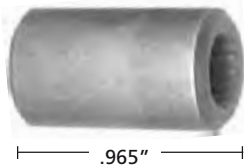
**APP1018**  
Male Tang to 9-Spline



**APP1006**  
9-Spline to 9-Spline



**FPP1000**  
Tang to Tang



**APP1008**  
16-Spline to 16-Spline



**APP1025**  
Coupler Kit  
Includes  
APP1004  
APP1006  
APP1016



## VISIT [NATIONALLIFTGATE.COM](http://NATIONALLIFTGATE.COM)

- ▶ Get more detailed information on these and more Quality Liftgate Replacement Parts
- ▶ See Photos, Illustrations and Diagrams
- ▶ Learn more about our complete line of Snowplow Replacement Parts, and Wire & Battery
- ▶ Download our Online Catalogs, complete with Search Capabilities



# MOTORS

## 9-SPLINE 12-VOLT, DC, CLOCKWISE ROTATION

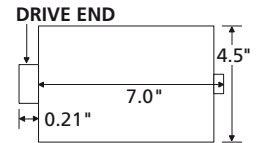


### REGULAR DUTY

**AMT0090**  
 OEM Motor  
 Single Post  
 DBB

#### REPLACES

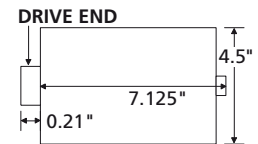
Anthony	A150265
DelAmerica	25169
Fenner	1185AC
Fenner	1787AC
Maxon	222423
Maxon	226578
Tommy	42 Fenner
Venco	13850
Venco	KMD1
Waltco	70392900



**AMT0097**  
 Value Line  
 Single Post

#### REPLACES

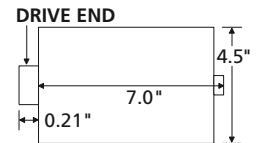
Fenner	1788AC
Fenner	2578AC
SPX	1788AC



**AMT0093**  
 Dual Post  
 OEM Motor  
 DBB

#### REPLACES

DelAmerica	25163
Fenner	1789AC
Fenner	2578AC
Leyman	P46340
Maxon	226578
Maxon	226579
Venco	13850
Waltco	70391100
Waltco	70392800

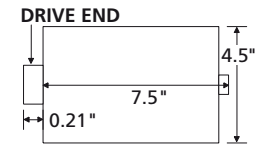


### HEAVY DUTY

**AMT0100**  
 OEM Motor  
 Single Post  
 DBB

#### REPLACES

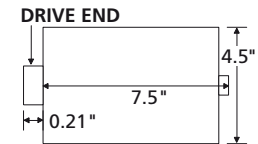
Fenner	1788AC
Fenner	2778AC



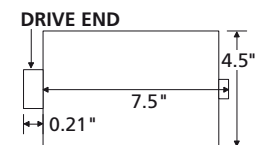
**AMT0103**  
 OEM Motor  
 Dual Post  
 Extra Heavy Duty  
 Isolated CW  
 DBB

#### REPLACES

DelAmerica	25163
Fenner	1789AC
Fenner	2578AC
Leyman	P46340
Maxon	226578
Maxon	226579
Venco	13850
Waltco	70391100
Waltco	70392800



**AMT0105**  
 Value Line  
 Single Post  
 DBB



See page 11 for Couplers



# MOTORS

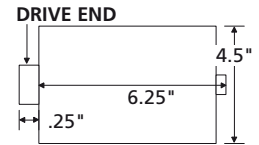
## TANG SHAFT, 12-VOLT, DC, DBB, SINGLE POST

### REGULAR DUTY



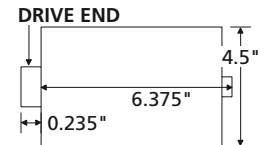
**AMT0077**  
Value Line  
\*Clockwise\*

REPLACES	
Maxon	224912, 53500
Prestolite	MDY6157, MDY7002, MDY7039
Tommy	43-86
Venco	MI-0199-00
Waltco	70391000, 70392000



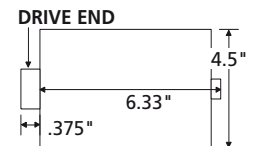
**BMT0022**  
OEM Motor  
Counterclockwise

REPLACES	
Anthony	A150018M
DelAmerica	20415
Eagle	1330180
Leyman	LH150018
Maxon	223740
Monarch	8111, 8112
Prestolite	MHN4001, MUE6202
Thieman	4423520
Tommy	42 Monarch, 42-4320, 958
Waltco	70091739, 70092359, 70092312



**BMT0027**  
Value Line  
Counterclockwise

REPLACES	
Leyman	P33818
Maxon	223740, 229272, 250093, 39200388, 39200398, 39200443
Venco	MTE39200292



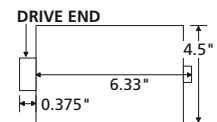
**BMT0029**  
Value Line  
Counterclockwise

### HEAVY DUTY



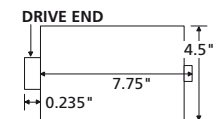
**BMT0021**  
OEM Motor  
Counterclockwise

REPLACES	
Anthony	ATU8112
Monarch	8112
Prestolite	MUE6107
Thieman	4422590
Waltco	70092313



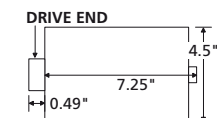
**BMT0127**  
Value Line  
Counterclockwise

REPLACES	
Anthony	ATU8100
Leyman	MMY4001
Monarch	8100, MMY
Prestolite	MFX4002
Thieman	4422590, 4423520, 4423521
Waltco	70091739, 70092514



**BMT0167**  
Value Line  
Counterclockwise

REPLACES	
Leyman	P33818
Maxon	229272, 250093, 250093HD, 39200398



# MOTORS

## THERMAL, 12-VOLT, DC, DBB

### REGULAR DUTY



◀ **BMT0029T**  
 Single Post  
 Tang  
 Counterclockwise

REPLACES	
Maxon	229272-10
Maxon	268176-01
Maxon	280374
Maxon	281810-01
Maxon	39200467
Maxon	39200486



◀ **BMT0030T**  
 Dual Post  
 Tang  
 Bi-Rotational

REPLACES	
Maxon	280381
Maxon	290089
Prestolite	MUV6202



◀ **BMT0032T**  
 Single Post  
 Tang  
 Counterclockwise

REPLACES	
Iskra	11.216.790
Leyman	P33992A
Monarch	08045-1
Waltco	7043001-01



◀ **BMT5762T**  
 Dual Post  
 Tang  
 Counterclockwise

REPLACES	
Interlift	P-2020866
Iskra	11.216.144
Iskra	AMJ5762

### HEAVY DUTY



◀ **BMT0034T**  
 Single Post  
 Tang  
 Counterclockwise

REPLACES	
Maxon	268011-01
Maxon	S204T



◀ **BMT0035T**  
 Single Post  
 Tang  
 Counterclockwise

REPLACES	
Waltco	70469430



◀ **BMT0133THD**  
 Dual Post  
 Tang  
 Counterclockwise

REPLACES	
Leyman	08003
Leyman	08196
Leyman	P34027A
Waltco	7043002-01



# MOTORS

## 12-VOLT, DC, DBB



### 500828

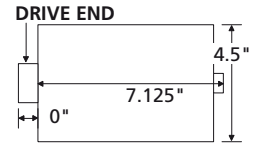
Single Post  
.160" Slot

### 500828-2

Dual Post  
.160" Slot

#### REPLACES

Hesselman  
Waltco 75098340

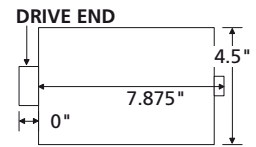


### 503588

OE Motor  
HPI  
.185" Slot

#### REPLACES

Leyman 503588  
Maxon 195436

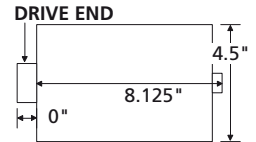


### AMT9507

Heavy Duty

#### REPLACES

Leyman P33592  
Leyman P33903  
Prestolite ML4355

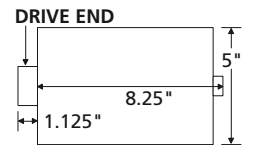


### 504377 SMITH-2KW

Regular Duty

#### REPLACES

Iskra AMJ5182  
Leyman LVS4400



### 504744 SMITH-3KW

Heavy Duty

#### REPLACES

Leyman LVS5500

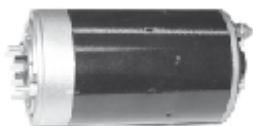
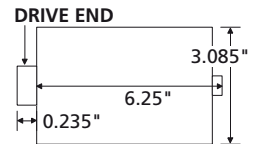


### AMT0301

Counterclockwise  
1/4" Slot

#### REPLACES

Braun  
DelAmerica 16399  
Eagle 1330180  
Monarch 8110  
Prestolite MKW4011  
Waltco 70092401

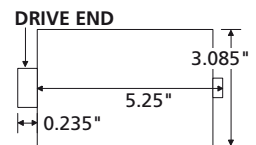


### BMT0320

OEM Motor  
Counterclockwise

#### REPLACES

DelAmerica 20813  
Eagle 1330185  
Leyman P33939  
Monarch 8053  
Thieman 4423720  
Waltco 70092401  
Waltco 70092423

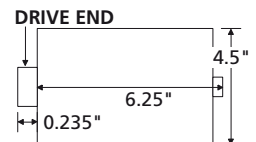


### BMT5222

Dual Post  
Clockwise  
Female Tang  
Extended End

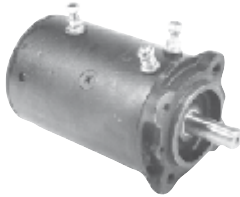
#### REPLACES

Anthony A130051  
Iskra AMJ5222  
Iskra AMJ5710  
Monarch 11.212.633



# MOTORS

## WINCH & CRANE, 12 VOLT, DC, DBB, BI-ROTATIONAL



**AMT0401**  
3/4" Diameter Shaft  
Built to Prestolite Specs

**REPLACES**

Desert	T-200
Ramsey	458001
Ramsey	458094
Prestolite	MBJ Series



**AMT0404**  
Long Key Way  
5/8" Diameter Shaft

**REPLACES**

Prestolite	MBJ4401
Warn (Early)	7536



**AMT0406**  
20-Spline

**REPLACES**

Prestolite	MRVB4
Prestolite	MRVB7
Warn	8403
Warn	31560
Warn	38894



**AMT0450**  
Worm Drive Motor

**REPLACES**

Autocrane	300105
Autocrane	300105-001



**AMT0460**  
Crane Motor  
Dual Post  
5/8" Keyed Shaft

**REPLACES**

Prestolite	MMQ4004
Santa Anita	16115
Ventura	16115-1



**AMT0470**  
Winch Motor

**REPLACES**

Superwinch	7536
Superwinch	7682



**AMT1401**  
Winch Motor  
3-Post  
4.8 HP  
Double Ball Bearing

**REPLACES**

Prestolite	46-4214
Prestolite	MUR-6202
Ramsey	458001

# MOTORS

## MOTOR-SOLENOID COMBOS



◀ **AMT3090**  
AMT0090 +  
APL3051



◀ **BMT3029T**  
BMT0029T +  
APL3094 +  
APL9200



◀ **AMT3091**  
AMT0090 +  
APL3020 +  
APL9402



◀ **AMT3097**  
AMT0097 +  
APL3051



◀ **AMT3100**  
AMT0100 +  
APL3051



◀ **BMT3027**  
BMT0027 +  
APL3020 +  
APL9402



◀ **AMT3101**  
AMT0100 +  
APL3024 +  
APL9402



◀ **BMT3127**  
BMT0127 +  
APL3020 +  
APL9402

## BUSS BARS



◀ **APL9400**  
Box Style



◀ **APL9402**  
For 3020 Series



◀ **APL9401**  
For 3000 Series



◀ **APL9403**



# VALVES

## 2-WAY DRAIN VALVES

Overall Length	3.0"
Valve Stem Diameter	.5"
Solenoid Length	1.5"
Solenoid Diameter	.5"



**VALVE WITH  
1-TERMINAL  
SOLENOID**

**AMF3330**



**VALVE WITH  
2-TERMINAL  
SOLENOID**

**AMF3331**



**VALVE  
NORMALLY  
CLOSED**

**AMF3338**



**SOLENOID  
WITH  
1 TERMINAL**

**AMF3345**



**SOLENOID  
WITH  
2 TERMINALS**

**AMF3346**

**SAME DAY SHIPPING**  
*on in-stock orders, placed by 3:00pm EST*

fax 513.330.7707  
local 513.330.7700

4.12

# VALVES

## 2-WAY DRAIN VALVES

Entire Length	3.0"
Valve Stem Diameter	.375"
Solenoid Length	1.5"
Solenoid Diameter	.375"
Block Length	1.5"
Block Width	1.0"
Block Height	1.5"



## VALVE WITH SOLENOID & BLOCK

**BMF3300**



## VALVE & SOLENOID

**BMF3330**



## VALVE

**BMF3338**



## VALVE BLOCK

**BMF3340**



## SOLENOID WITH 2 WIRES

**BMF3345**



## O-RING & SCREEN KIT

**BMF3335**

Large O-Ring Diameter .6"

Small O-Ring Diameter .375"

Screen Diameter .5"

# VALVES

## 2-WAY DRAIN VALVES

Entire Length	3.25"
Valve Stem Diameter	.50"
Solenoid Length	1.75"
Solenoid Hole Diameter	.50"



### O-RING KIT

#### MAX1086

Large O-Ring Diameter	.75"
Small O-Ring Diameter	.50"



**VALVE &  
SOLENOID**  
MAX1085



**SOLENOID  
WITH 2 WIRES**  
MMC3345



**VALVE**  
MMC3345-1

## 4-WAY VALVES

Entire Length	4.75"
Valve Stem Diameter	.50"
Solenoid Length	2.20"
Solenoid Diameter	.50"



### VALVE & SOLENOID

#### FMF7132

High Flow  
With Screens



**VALVE WITH 1  
TERMINAL SOLENOID**  
FMF3390



**VALVE WITH 2  
TERMINAL SOLENOID**  
FMF3391



**SOLENOID WITH  
1 TERMINALS**  
FMF3395



**SOLENOID WITH  
2 TERMINALS**  
FMF3396



**VALVE ONLY**  
FMF3398



# PUMP KITS

## MONARCH/BUCHER



**BPP2560**  
Replaces K12171-200



**BPP2561**  
Replaces K12171-250



**BPP2562**  
Replaces K12637-270



**BPP2563**  
Replaces K12171-270



**BPP2564**  
Replaces K12171-150

## OIL SEALS



**APP1111**  
Fenner  
1/2" ID



**BPP1088**  
Monarch  
3/8" ID



**FPP1111**  
MTE  
3/4" OD

## SPX/FENNER/STONE



**APP2569**  
Pump Kit includes  
Pump, Filter,  
Mount Plate  
and Elbow,  
Adapter Plate,  
Couplers, Belt  
and Instructions



**APP2560**  
Pump Only



## FILTER KITS

**APP2103**  
Filter Kit



**APP2100**  
Filter Only



## PUMP SEAL KIT

**APP2568**

# POWER UNITS

## POWER UP, GRAVITY DOWN



### APP0250

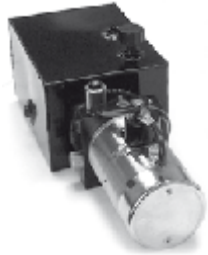
20.375" x 5" x 7.25"

12"L, 1 Gallon Reservoir (APP3145) with Breather

Pressure set to 2500 psi - adj

Bakelite Solenoid, 2 Wires for Drain Solenoid

Extra Port for Return Line



### APP0253

6.25" x 8" x 19.5"

2.5 Gallon Reservoir (APP3159)



### APP0245

17.5" x 7" x 7"

1 Gallon Reservoir (APP3149)

## POWER UP, GRAVITY DOWN, PUSH BUTTON

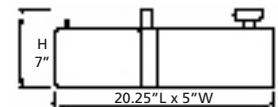


### BPP0030

Electric Pump and Motor

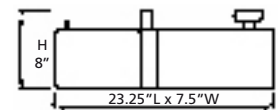
Push Button Operation

3 Quart Reservoir (BPP3915)



### BPP0031

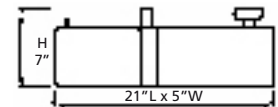
2.5 Gallon Reservoir (BPP3150)



### BPP0032

Heavy Duty Motor

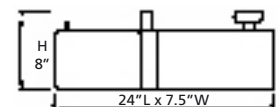
3 Quart Reservoir (BPP3915)



### BPP0033

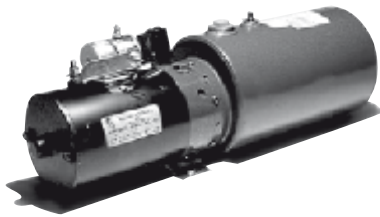
Heavy Duty Motor

2.5 Gallon Reservoir (BPP3150)



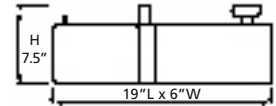
# POWER UNITS

## POWER UP, GRAVITY DOWN PUSH BUTTON



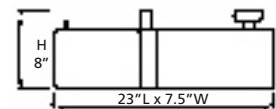
### **BPP0019**

Push Button Pump and Motor  
Power Up, Gravity Down  
9" L, 1 Gallon Reservoir (BPP3140)



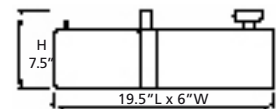
### **BPP0019-1**

2.5 Gallon Reservoir (BPP3150)



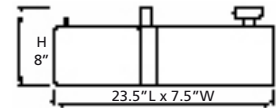
### **BPP0019-2**

9" L, 1 Gallon Reservoir (BPP3140)  
Heavy Duty Motor



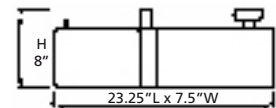
### **BPP0019-3**

2.5 Gallon Reservoir (BPP3150)  
Heavy Duty Motor



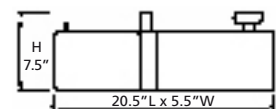
### **BPP0019-5**

13" L, 3 Quart Poly Reservoir (BPP4913)  
Side Discharge and Side Mounting



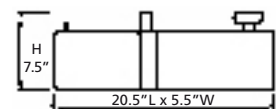
### **BPP0019-6**

13" L, 3 Quart Poly Reservoir (BPP4913)  
Top Discharge and Bottom Mounting



### **BPP0019M for Dump Bodies**

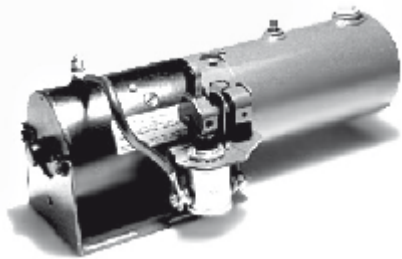
2.5 Gallon Reservoir (BPP3150)  
Push Button Control and Cord  
3000 psi





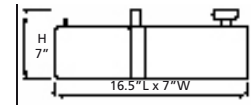
# POWER UNITS

## POWER UP, GRAVITY DOWN, MANUAL



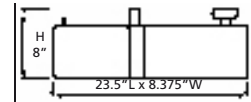
### ◀ BPP0100

Replaces Monarch M30 Manual Pump and Motor  
8" Long, 2 Quart Reservoir (BPP3905)



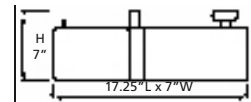
### BPP0101

2.5 Gallon Reservoir (BPP3150)



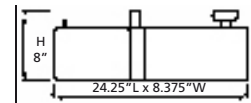
### BPP0102

2 Quart Reservoir (BPP3905)  
Heavy Duty Motor



### BPP0103

2.5 Gallon Reservoir (BPP3150)  
Heavy Duty Motor



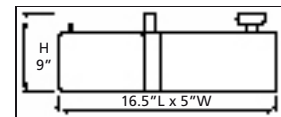
## GRAVITY DOWN, FOR EAGLE & TOMMY GATES



### FOR PICKUP TRUCKS

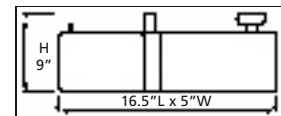
### ◀ BPP0113

8" L, 2 Quart Poly Reservoir (BPP3136)  
Manual Pump and Motor  
Gravity Down  
Start Switch Bracket on Top



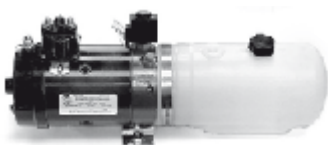
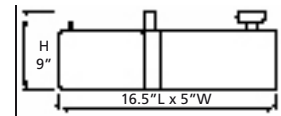
### ◀ BPP0113-4

8" L, 2 Quart Metal Tank (BPP3905)



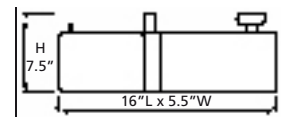
### ◀ BPP0113-8

8" L, 2 Quart Poly Reservoir (BPP3136)  
Electric



### ◀ BPP0019-7

8" L, 2 Quart Poly Reservoir (BPP3136)  
Electric Push Button Operation  
Gravity Down

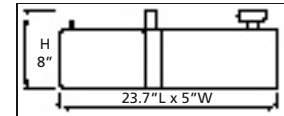


# POWER UNITS

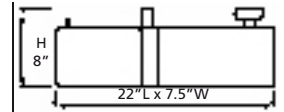
## POWER UP, POWER DOWN



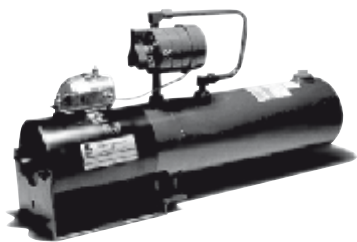
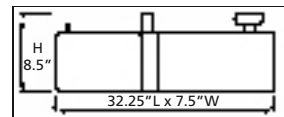
**BPP0042**  
10" L, 1 Gallon Reservoir (BPP3950)  
Push Button Pump and Motor  
Power Down



**BPP0043**  
2.5 Gallon Reservoir (BPP3150)  
Push Button Pump and Motor  
Power Up, Power Down

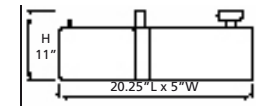


**BPP0044**  
3.1 Gallon Reservoir  
Push Button Pump and Motor  
3000psi Up, 300psi Down  
Perfect For Dump Hoists

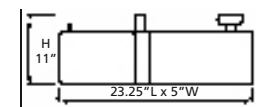


## MANUAL, POWER DOWN

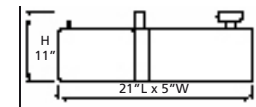
**BPP0110**  
Manual, Synchronized Power Down  
3 Quart Reservoir (BPP3915)



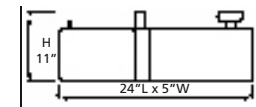
**BPP0110-1**  
2.5 Gallon Reservoir (BPP3150)



**BPP0110-2**  
3 Quart Reservoir (BPP3915)  
Heavy Duty Motor



**BPP0110-3**  
2.5 Gallon Reservoir (BPP3150)  
Heavy Duty Motor



**BHL3012**  
Synchronized Valve with Condenser



**BHL3014**  
Additional Canister Switch



**BPL3192**  
Condenser Parts Kit

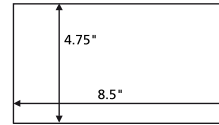
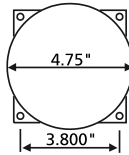
# RESERVOIRS

## SPX/FENNER/STONE REPLACEMENT RESERVOIRS

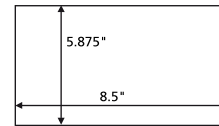
### METAL



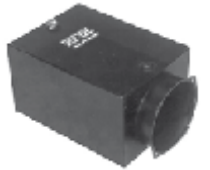
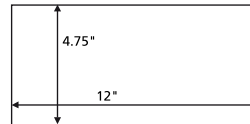
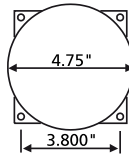
**APP3135**  
4.75" x 8.5"  
2 Quart, 2 Holes



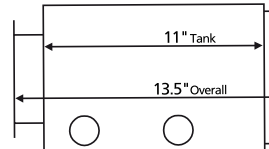
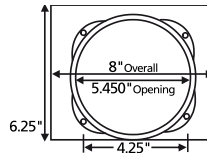
**APP3140**  
5.875" x 8.5"  
3 Quart, 1 Hole



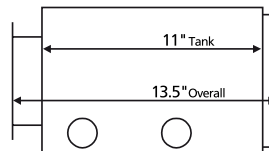
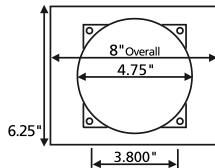
**APP3145**  
4.75" x 12"  
3 Quart, 2 Holes



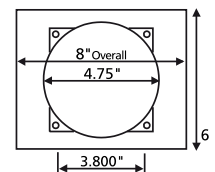
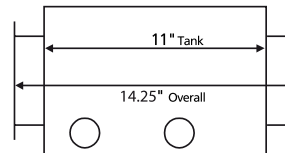
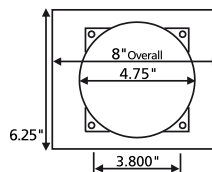
**APP3151**  
6.25" x 8" x 11"  
2.5 Gallon, 2 Holes



**APP3159**  
6.25" x 8" x 11"  
2.5 Gallon, 3 Holes



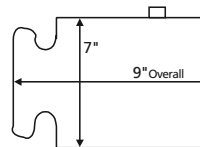
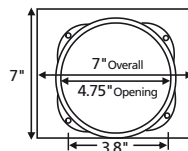
**APP3160**  
6.25" x 8" x 11"  
2.5 Gallon, 4 Holes  
Open Ends



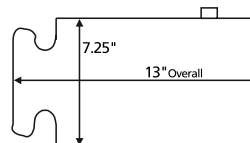
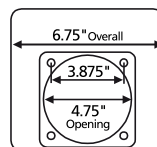
### POLY



**APP3149**  
7" Sq. x 9"  
1 Gallon Reservoir,  
1 Hole



**APP3156**  
7.25" x 6.25" x 13"  
2.5 Gallon, 1 Hole





# VENT CAPS

## VENT CAPS



### APP3800 FPP3800

NPT	.375"
Inside Diameter	.3"
Outside Diameter	.7"
Length	1.6"

#### REPLACES

Leyman	P33667
DelAmerica	25158
Maxon	207037
Maxon	229193
Maxon	240079
Maxon	260847
Tommy	T3-20002-00
Venco	T3-1002-00
Waltco	70091270



### APP3800D

NPT	.375"
Outside Diameter	.65"
Length without Dipstick	.75"
Length with Dipstick	2.75"

#### REPLACES

Maxon	240079
-------	--------



### APP3805

Inside Diameter	.65"
Outside Diameter	.95"
Length	.8"

#### REPLACES

Venco	8060-CC
-------	---------



### APP3806

Inside Diameter	.75"
Outside Diameter	1.05"
Length	1.85"



### BPP3800

NPT	.75"
Inside Diameter	.3"
Outside Diameter	1.05"
Length	.95"

#### REPLACES

Anthony	A150013
Leyman	A150013
Leyman	LH01143
Leyman	LH150015
Maxon	223749
Waltco	70091734
Waltco	70400055



### BPP3805

NPT	.375"
Inside Diameter	.3"
Outside Diameter	.65"
Length	.95"

#### REPLACES

Thieman	4420409
Waltco	70091734
Waltco	70400004

## O-RINGS



### APP3300

I.D.	4.75"
O.D.	5.25"
Thickness	.25"

### APP3301

I.D.	4.375"
O.D.	4.75"
Thickness	.1875"

### BPP3300

I.D.	3.625"
O.D.	3.875"
Thickness	.125"

### BPP3302

I.D.	3.0"
O.D.	3.125"
Thickness	.0625"

### BPP3310

I.D.	3.75"
O.D.	4.00"
Thickness	.125"

**SAME DAY SHIPPING**  
on in-stock orders, placed by 3:00pm EST

# RESERVOIRS

## MONARCH/BUCHER REPLACEMENT RESERVOIRS

### METAL



**BPP3140**  
6" x 9"  
1 Gallon  
2 Holes



**BPP3910**  
4.5" x 10"  
2.5 Quart



**BPP3150**  
6" x 7" x 15"  
2.5 Gallon  
2 Holes



**BPP3914**  
4.5" x 11"  
2 Quart  
1 Hole



**BPP3154**  
6" x 9"  
1 Gallon  
1 Hole  
Open Ends



**BPP3915**  
4.5" x 12"  
3 Quart  
2 Holes



**BPP3905**  
4.5" x 8"  
2 Quart  
2 Holes



**BPP3916**  
4.5" x 12"  
3 Quart  
1 Hole



**BPP3906**  
4.5" x 8"  
2 Quart  
1 Hole



**BPP3920**  
4.5" x 15"  
1 Gallon  
2 Holes

# RESERVOIRS

## MONARCH/BUCHER REPLACEMENT RESERVOIRS

### POLY

**BPP3134**

4.5" x 10"

2 Quart

2 Holes

**BPP3135**

6.7" Sq. x 13"

2 Gallon

1 Hole

**BPP3136**

4.5" x 8"

2 Quart

2 Holes

**BPP3137**

5.5" Sq. x 10"

1 Gallon

1 Hole

**BPP3138**

9" x 10" x 16"

4.5 Gallon

1 Hole

**BPP3156**

6.75" Sq. x 20"

3 Gallon

1 Hole

**BPP3157**

5.5" x 6.5" x 10"

1 Gallon

1 Hole

**BPP4913**

4.5" x 13"

3 Quart

3 Holes

**BPP4920**

3.5" Sq. x 20.3"

1 Gallon

1 Hole

**BPP4922**

3.5" Sq. x 22"

5 Quart

1 Hole

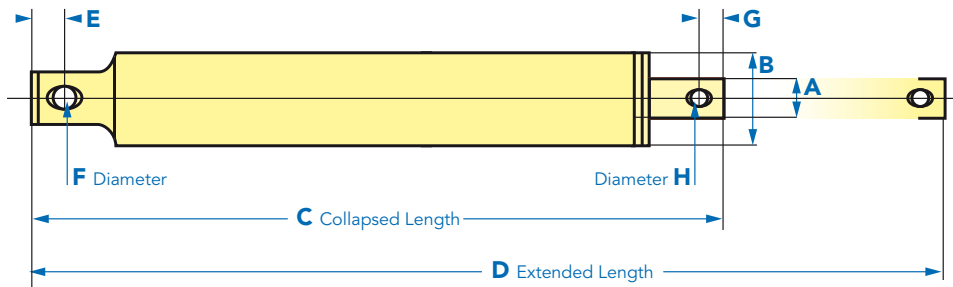


### FREE SHIPPING

on Liftgate Part Orders  
Over \$1000 in Continental US




# CYLINDERS





NLP #	MFG	MODEL	OEM #	BORE	STROKE	A	B	C	D	E	F-DIA	G	H-DIA	FITTING	LBS.
				Rod dia	Cyl dia	Collapse	Extend	To Base	Hole dia	To End	Hole dia				
P33988	Leyman	LH1850	P33988	3"	10-3/4"	1-1/2"	3-3/8"	22"	32-3/4"	1-1/4"	1"	1-1/4"	1"		31
P33989	Leyman	LH2500	P33989	4"	10-3/4"	2"	4-5/8"	22"	32-3/4"	1-1/4"	1"	1-1/4"	1"		33
P33990	Leyman	LH3000/3500	P33990	4-1/2"	10-5/8"	2"	5-1/8"	22"	32-5/8"	1-1/4"	1"	1-1/4"	1"		35
P33744	Leyman	FDC pre 2000	P33744	2-1/2"	8"	1-3/8"	2-7/8"	16"	24"	2"	3/4"	3/4"	3/4"		17
P33844	Leyman	FDC pre 2000	P33844	2"	54"	1-3/8"	2-3/8"	66-1/4"	118-1/4"	1"	1"	1"	1"		45
P33877K	Leyman	FDC post 2000	P33877K	2-1/2"	8"	1-1/2"	2-7/8"	19-3/8"	27-3/8"	1"	3/4"	3/4"	3/4"		17
P33931	Leyman	FDC post 2000	P33931	2"	54"	1-3/8"	3-1/8"	64-1/4"	116-1/4"	1"	1"	1"	1"		48
NLW0010	Waltco	F20 GD	20280010	2"	10"	1-3/4"	4-1/2"	16"	26"	7/8"	1"	1"	1-1/8"	NLW2741	25
NLW0020	Waltco	F20 PD pre 04	20280020	2"	10"	1-3/4"	4-1/2"	16"	26"	7/8"	1"	1"	1-1/8"	NLW3318	25
NLW0022	Waltco	F20 PD post 04	20280022	2"	10"	1-3/4"	4-1/2"	16"	26"	7/8"	1"	1"	1-1/8"	NLW2966	25
NLM6401-02	Maxon	7225/7230	266401-02	3-1/2"	10"	1-1/4"	4"	23-1/4"	33-1/4"	1"	1"	1"	1-1/8"		32
NLM3200	Maxon	BMRA 35/44	263200-01	1-3/4"	57-1/2"	1"	2-1/4"	68-1/2"	124"	7/8"	1"	1"	1"		43
NLM3315	Maxon	BMRA 55/66	253315-01	2"	57-1/2"	1-1/8"	2-1/4"	68-1/2"	124"	7/8"	1"	1"	1"		45
NLM4103	Maxon	BMRA	264103	2"	8"	1-1/4"	2-7/8"	13"	21"	3/4"	1"	7/8"	1"		12
NLM6301	Maxon	BMRA 35/44	280663-01	1-3/4"	53-1/8"	1"	2-1/4"	61-1/4"	112-3/8"	3/4"	7/8"	1"	1"		36
NLM6302	Maxon	BMRA 55/66	280663-02	2"	53-1/8"	1-1/8"	2-1/4"	61-1/4"	112-3/8"	3/4"	7/8"	1"	1"		38

## LEYMAN

### FDC


**P33744**  
 Fold Cylinder  
 FDC (Pre 2000)

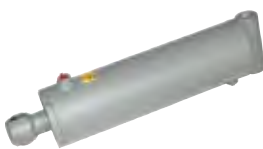

**P33844**  
 Lift Cylinder  
 FDC (Pre 2000)


**P33877K**  
 Fold Cylinder  
 FDC (Post 2000)


**P33931**  
 Lift Cylinder  
 FDC (Post 2000)

## LEYMAN

### LH


**P33988**  
 LH 1850

**P33989**  
 LH 2500

**P33990**  
 LH 3000 - 3500

# CYLINDERS

## WALTCO

### NLW0010

Waltco F20 Lift Cylinder

Replaces 20280010

Gravity Down with NLW2741 Barbed Fitting

or Power Down with NLW3318 or NLW2966

### NLW0020

Replaces 20280020

NLW3318 Adapter and NLW0010

Waltco F20 Power Down (Pre 2004)

### NLW0022

Replaces 20280022

NLW2966 Adapter and NLW0010

Waltco F20 Power Down (Post 2004)



## MAXON

### NLM6401-02

Maxon 7225 and 7230

Replaces 266401-02 and 266401-01

## BMRA SERIES

### NLM3200

1.75" Diameter x 57.5" Stroke

Replaces 263200-01, For BMRA-35/44

### NLM3315

2" Diameter x 57.5" Stroke

Replaces 253315-01, For BMRA-55/66

### NLM6301

1.75" Diameter x 53.125" Stroke

Replaces 280663-01, For BMRA-35/44

### NLM6302

2" Diameter x 53.125" Stroke

Replaces 280663-02, For BMRA-55/66

### NLM4103

Closing Cylinder, Replaces 264103

All Models



# CYLINDERS

## MAXON ORIGINAL EQUIPMENT CYLINDERS AVAILABLE THROUGH NATIONAL LIFTGATE PARTS

MAXON OE	NLP OE #	BORE X STROKE	MAXON MODELS
202318	MAX2318	2" x 28"	RC-2A
202319	MAX2319	2-1/2" x 28"	RC-3A/4A
202322	MAX2322	3' x 28"	RC-5A/6A
222214	MMC2214	2" x 8"	RC-2/3/4/5/6
225643	MAX5643	3-1/2" x 10"	TE-20, SL-20/30
226254	MAX6254	3" x 10"	Dbl Act GPT-4
227665	MAX7665	3-1/2" x 10"	Dbl Act GPT-5
228625	MAX8625	2-3/4" x 10"	Dbl Act GPT-25/3
252002	MMC2002	2" x 28"	RCM-16
253109	MAX3109	3-1/2" x 28"	RC-4
253110	MAX3110	4" x 28"	RC-5/6
253111	MAX3111	3" x 28"	RC-2/3
253315	MAX1017	2" x 57-1/2"	Dbl Act BMR
253315-01	MAX2140	2" x 57-1/2"	Dbl Act BMRA-55/66
253338	MAX3338	3" x 28"	RC-2/3
253339	MAX3339	3-1/2" x 28"	RC-4
253340	MAX3340	4" x 28"	RC-5/6
253451	MAX3451	2-1/2" x 5-3/4"	BMR
253975	MAX1028		BMR
260372	MMC1051	3" x 10"	Dbl Act 72-25LM/30LM
260374	MMC0374	3" x 10"	TG-150
260392	MMC1052	3-1/2" x 10"	72-25, TG-20, TE-20
261897	MAX1897	3" x 10"	GPT-4
261898	MAX1898	3-1/2" x 10"	GPT-5
262680	MAX2680	1" x 10"	MM-1300
263200-01	MAX2139	1-3/4" x 57-1/2"	Dbl Act BMRA-35/44
264103	MAX2021	2" x 8"	BMRA-35/44/55/66
264442	MAX4442		MM-1650
266037-01	MAX6037-01	2-3/4" x 10"	GPT-25/3
266038-01	MAX6038-01	3" x 10"	GPT-4
266039-01	MAX3901	3-1/2" x 10"	GPT-5
266401-01	MAX0101	3" x 10"	72-25, MTB-25
266401-02	MAX6401-02	3-1/2" x 10"	72-30, MTB-30, TE-20/25
266408-01	MAX0801	3-1/2" x 10"	TE-25
280663-01	MAX0663-01	1-3/4" x 53-1/8"	BMRA-35/44, BMRSD-35/44
280663-02	MAX0663-02	2" x 53-1/8"	BMRA-55/66, BMRSD-55/66
280990-01	MAX9001	2-3/4" x 11-1/2"	GPTLR-25/33, GPT-25/33
281035-01	MAX3501	3-1/4" x 12-1/2"	GPTLR-44
281040-01	MAX4001	3-1/2" x 12-1/2"	GPTLR-55

# CYLINDERS

## WALTCO ORIGINAL EQUIPMENT CYLINDERS AVAILABLE THROUGH NATIONAL LIFTGATE PARTS

WALTCO OE	NLP NO.	WALTCO MODELS
10380050	WPL0038	1093, 1095, MD
10480050	WPL1048	1094, 1096
14080050	WPL1408	P-SERIES
14280050	WPL1428-5	RZ-10
14380090	WPL1428-9	RZ-10
14380050	WPL1438-5	BZ-15
14380090	WPL1438-9	BZ-15
14480050	WPL1448-5	BZ-20, RZ-20
14480090	WPL1448-9	BZ-20, RZ-20
20280010	WPM1281	F20, F30, 1092, E-25
20280020	WPM1356	F20, F30
20280022	WPM1357	F20, F30
20280050	WPL2028-5	F20, F40, FSL-50
20280090	WPM1423	FSL, F40
20280091	WPL2028-9	FSL-40, F40
22180050	WPL2218	C-15
22280010	WPL2228	C-20
22280050	WPL0050	C-20
22580050	WPL2258-5	LPF
22580060	WPL2258-6	LPF
22780050	WPL2278-5	HLF
22780060	WPL2278-6	HLF
23580010	WPL2358	EZL
26480010	WPL2648	EM
26580010	WPL2658	EM
27380010	WPL2738	WSL
27580010	WPL2758-1	GT-33
27580020	WPL2758-2	GT-44
28080000	WPL2808	SDL
31780050	WPL3178	WDL-US, WDL-U1
32480011	WPM2068	WDL
32480012	WPM2700	WDL-US, WDL-U1
32680050	WPM2064	WDL
32680051	WPM2511	WDL
33080050	WPL3308	MDR
33580050	WPL3358	MDR
35480050	WPM0050	RGL-40
35680050	WPL3568	RGL-60
37480051	WPM0051	
39580050	WPM8050	MDR
40480050	WPL4048	WDL
42668738	WPL8738	WDV
42669325	WPL9325	WDV
43010123	WPL0123	MDL, SB
43012133	WPL2133	MDL, SB
43016132	WPL6132	MDL
43020578	WPL0578	MDL
43068022	WPL8022	WDV
43068025	WPL8025	WDV
43216800	WPL6800	MDL, SB
43330117	WPL0117	MDL
43340111	WPL0111	MDL



# ANTHONY

## MOTORS

### 9-SPLINE

**NLP NO. ANTHONY**



**AMT0090** A150265  
OEM  
Single Post



**AMT0097** A150265  
Value Line  
Single Post

### TANG

**NLP NO. ANTHONY**



**BMT0022** A150018  
OEM  
CCW



**BMT0027** A150018  
Value Line  
CCW



**BMT0021** ATU8112  
OEM  
CCW  
Heavy Duty



**BMT0127** ATU8100  
Value Line  
CCW  
Heavy Duty



**BMT5222** A130051  
Dual Post  
CCW

## VALVES

**NLP NO. ANTHONY**



**AMF3330** A130272  
2-Way Valve  
1-Terminal Solenoid



**BMF3330** ATU121  
2-Way  
2-Wire



**BMF3345** ATU122  
2-Wire Coil

## START SOLENOID

**NLP NO. ANTHONY**



**BPL3000** ATU120  
Negative to Excite  
Flat Base



**P34016** A130052  
4-Post Solenoid  
Trombetta

## POWER UNIT

**NLP NO. ANTHONY**



**APP0245** A150001  
Power Up A150586  
Gravity Down  
1 Gallon Reservoir  
(used prior to S/N 35000)



## SWITCHES

**NLP NO. ANTHONY**



**APL2740** ATU307  
Sealed  
SPST  
3 Screw  
Terminals



**APL2765** A150477  
Sealed  
DPDT  
6 Screw  
Terminals



**APL9653** A150031  
Master  
Disconnect  
SPST  
Off-On



**APL9015** A150495  
Circuit  
Breaker  
150 Amp



**BPL2791** AR18107  
Pistol Grip  
Toggle Control  
Wired 16/3



**BPL2792** AR18172  
Pistol Grip  
Toggle Control  
Wired 16/3  
4-Conductor Plug

## 2 PUSH BUTTON HAND CONTROL

**NLP NO. ANTHONY**



**BPL2700** ATU136  
Gravity Down  
No Cable

**BPL2701** ATU136PD  
Power Down  
No Cable

**BPL2704** ATU165  
Box Only



**BPL2717** ATU101  
Gravity Down  
With Cable

**BPL2722** ATU101PD  
Power Down  
With Cable

## TOGGLE HAND CONTROL

**NLP NO. ANTHONY**



**BPL2750** ATU393  
Gravity Down  
With Cable

**BPL2758** ATU393  
Gravity Down  
With Cable  
Sealed Switch  
Weather Resistant



**BPL2752** ATU392  
Gravity Down  
No Cable

**BPL2755** ATU394  
Box Only

# INTERLIFT

## THERMAL MOTORS

**NLP NO.**      **INTERLIFT**



**BMT5762T**      P-2020866  
 Dual Post  
 Tang  
 CCW  
 For Old Style  
 ILFS and ILR Series



**NLI3555**      P-1353555  
 Dual Post  
 Tang  
 For UnderSlider  
 and Cantilever Series



**NLI8264**      P-1298264  
 Bosch Replacement  
 Single Post  
 For ILF, ILK, ILUK

## POWER UNITS

**NLP NO.**      **INTERLIFT**



**NLI0860**      P-2020860  
 For Old Style  
 ILFS and ILR Series



**NLI6000**      P-1406000  
 For UnderSlider,  
 ILF and ILK Series

## SOLENOID

**NLP NO.**      **INTERLIFT**



**503911**      P-1320127  
 For UnderSlider  
 and Cantilever Series



**NLI4303**      P-1404303  
 For Old Style  
 ILFS and ILR Series

## PUMPS

**NLP NO.**      **INTERLIFT**



**NLI0618**      P-2020618  
 For Old Style  
 ILFS and ILR  
 Series



**NLI8068**      P-1298068  
 For Under-  
 Slider, ILF and  
 ILK Series

## SWITCHES

**NLP NO.**      **INTERLIFT**



**NLI4565**      P-2004565  
 Toggle Switch  
 3-Wire  
 Mounting  
 Bracket



**NLI3305**      P-1203305  
 3-Button  
 Hand Control  
 Retractable Cord



**NLI3305P**      P-1203305P  
 3-Button  
 Hand Control  
 5-Way Plug



**NLI6816**      P-72916816  
 2-Button  
 Hand Control  
 Retractable Cord



**NLI6816P**      P-72916816P  
 2-Button  
 Hand Control  
 4-Way Plug



# LEYMAN

## MOTORS

### 9-SPLINE

**NLP NO. LEYMAN**



**AMT0100** P46340  
OEM  
9-Spline  
Heavy Duty



**AMT0105** P46340  
Value Line  
9-Spline  
Heavy Duty

### TANG THERMAL

**NLP NO. LEYMAN**



**BMT0133THD** 08003  
Dual Post 08196  
CCW P34027A



**BMT0032T** P33992A  
Single Post  
CCW

## POWER UNITS

**NLP NO. LEYMAN**



**BPP0019-6** P340038  
13" L, 3 Quart Poly Reservoir  
Top Discharge, Bottom Mounting



**BPP0059** P33907  
5 Quart Poly Reservoir (BPP4922)  
Power Up/ Gravity Down

### TANG

**NLP NO. LEYMAN**



**BMT0022** LH150018  
OEM  
Tang  
CCW



**BMT0027** LH150018  
Value Line  
Tang  
CCW



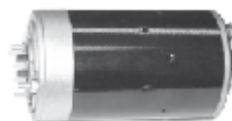
**BMT0029** P33818  
Value Line  
Tang  
CCW



**BMT0127** MMY4001  
Value Line  
Tang  
CCW  
Heavy Duty



**BMT0167** P33818  
Value Line  
Tang  
CCW  
Heavy Duty



**BMT0320** P33939  
OEM  
12-Volt  
CCW



**503588** 503588  
OEM  
Tang  
HPI



# LEYMAN

## SWITCHES

NLP NO. LEYMAN



**503911** 503911  
12-Volt 502475  
Start Solenoid



**P34016** P34016  
4 Post  
Curved Base Trombetta



**APL3051** P33895  
12V and 24V DC



**A332413** A332413  
3-Button Remote Retractable Cord



**230504994** 230504994  
4-Button Remote Cord & Male Plug

## MISCELLANEOUS

NLP NO. LEYMAN



**APL9015** P46405  
Circuit Breaker  
Manual Reset 150 Amp



**APP3151** P33651  
Metal Reservoir  
6.25" x 8" x 11"  
2.5 Gallon 2 Holes



**P34074** P34074  
Metal Reservoir 2 Holes



**APP2569** P33652B  
OEM SPX/Stone/Fenner  
Includes Pump, Filter, Mount Plate & Elbow, Adapter Plate, Couplers, Belt



**BPP2560** BA-818-199  
OE Monarch/Bucher Pump



**AA-805-145** AA-805-145  
Assembly 5" Roller



**BA-805-271** BA-805-271  
Assembly 4" Roller



**BA-818-199** BA-818-199  
Roller Assembly

## CALL NLP TODAY



**800.727.8543**  
**513.330.7700**

Experience immediate, friendly service from product experts



## SEALED, POTTED TOGGLE SWITCHES

Switches are pre-wired with short leads and all connections are pot sealed from the environment. Outer Mast Up/Down and Fold/Unfold Switches must be replaced together since they are supplied and wired as a unit.

LEYMAN OE	NLP NO.	DESCRIPTION	MODEL	MODEL
P46701	AA-551-537	In/Out	TLS	
P46705	AA-551-519	Outer Mast Up/Down Fold/Unfold	FDCXX56	FDCXXRM
P46706	AA-551-520	Inner Mast Up/Down	FDCXX56	FDCXXRM
P46709	AA-551-521	Outer Mast Up/Down Fold/Unfold	FDCXX56PD	FDCXXRMPD
P46710	AA-551-522	Inner Mast Up/Down	FDCXX56PD	FDCXXRMPD
P46710	AA-551-522	Inner Mast Up/Down	FDCXXNPPD	
P46713	AA-551-523	Outer Mast Up/Down Fold/Unfold	FDCXXNP	
P46714	AA-551-524	Inner Mast Up/Down	FDCXXNP	
P46716	AA-551-525	Outer Mast Up/Down Fold/Unfold	FDCXXNPPD	
P46717	AA-551-546	LHLP25/53		
P46723	AA-551-547	LH		
P46728	AA-551-538	Top Up/Down TLS		
P46729	P46729	Lower Up/Down TLS		
P46745	P46745	In/Out SW TLS		
	AA-551-593	Up/Down Outer Lower Inside	FDC-NGPD	FXD-PD
	AA-551-594	Up/Down Inside at Top	FDC-NGPD	FXD-PD
	AA-551-595	Up/Down Inside at Top	FDC-NGGD	FXD-GD
	AA-551-602	Up/Down Outer Lower Inside	FDC-NGGD	FXD-GD
	AA-551-604	Outer Mast Fold/Unfold	FDC-NGGD	FXD-GD
	AA-551-604	Outer Mast Fold/Unfold	FDC-NGPD	FXD-PD



**P46729**



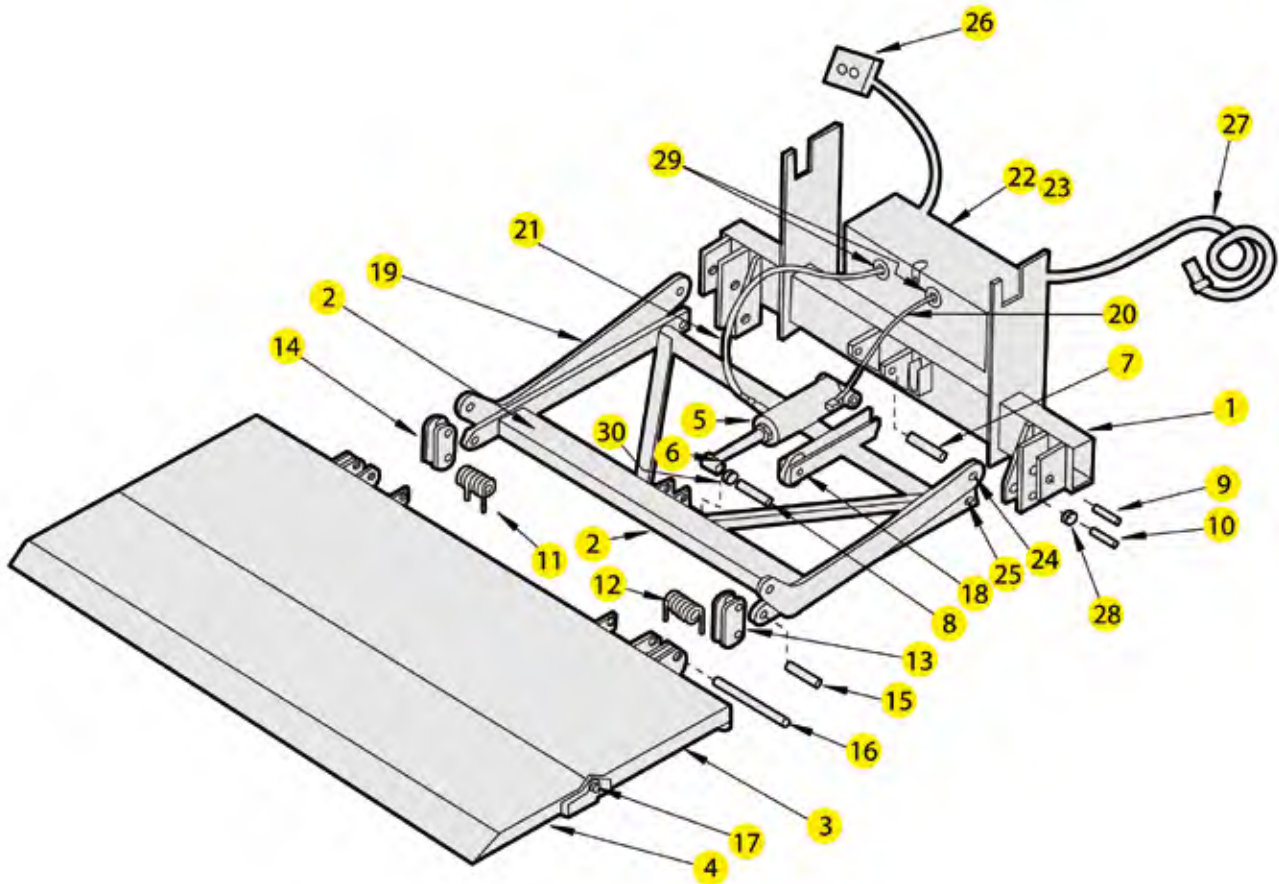
**AA-551-521**



**Ask Us About Quantity Discounts**

# LEYMAN

## LEYMAN LH LIFTGATE 2500



### WE MAKE ORDERING EASY:

 800.727.8543 • local 513.330.7700

 fax 513.330.7707

 [sales@NationalLiftgate.com](mailto:sales@NationalLiftgate.com)



## LEYMAN LH LAYOUT



**P33989**



**BPL2717**



**BPL2758**

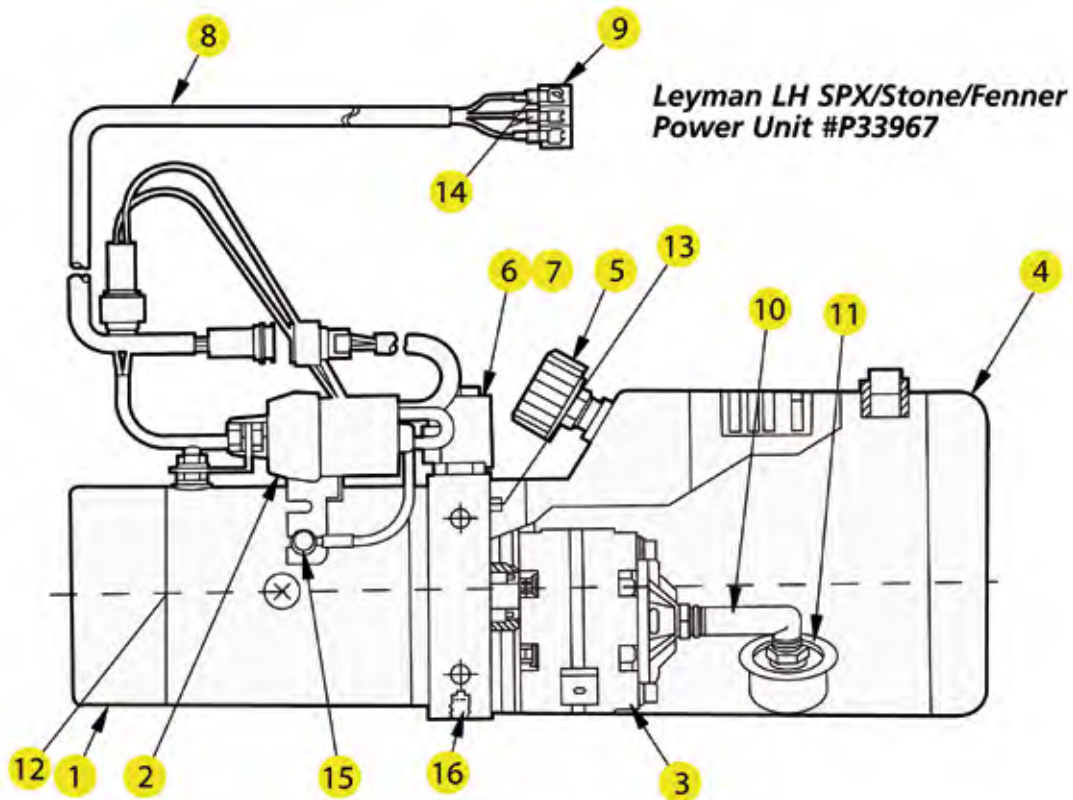


**CA-800-244**

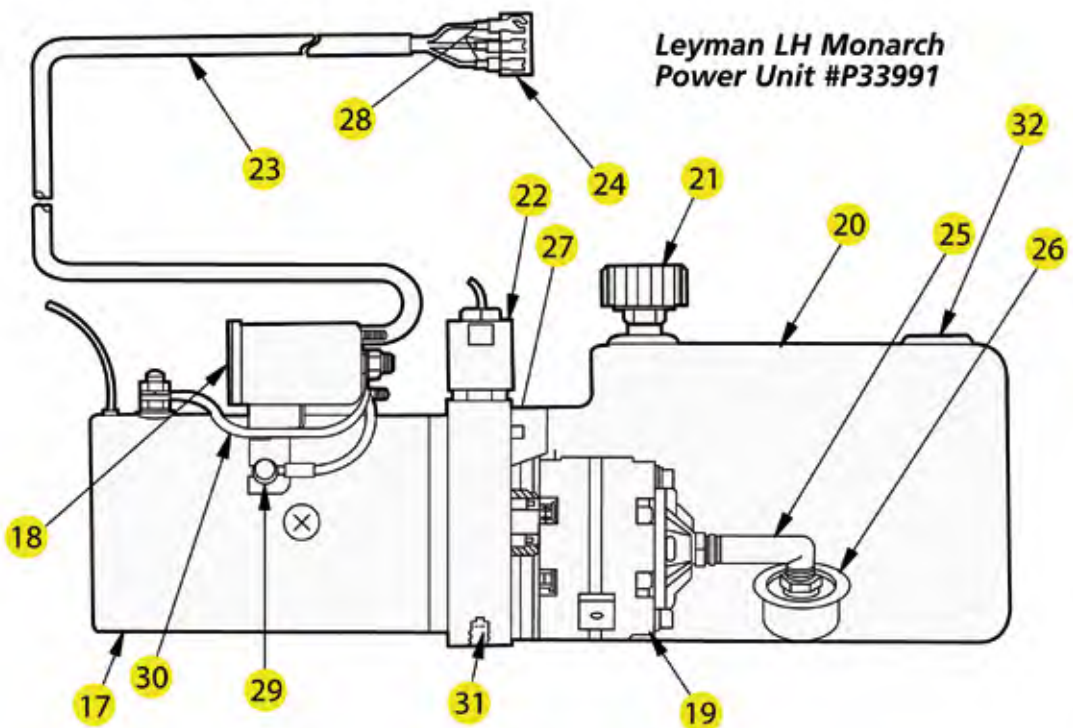
ITEM	LMC/NLP #	MODEL	QTY	DESCRIPTION
1	CA-800-090	LH1850-3500-1 & 2	1	Main Frame Assembly
2	CA-800-261	LH1850-2500-1 & 2	1	Compression Arm Assy.
	CA-800-263	LH3000-3500-1 & 2	1	Compression Arm Assy.
3	BA-800-159	LH1850-3500-1 & 2	1	Primary Platform
	DA-800-094	LH1850-3500-1	1	Primary Platform
4	BA-800-141	LH1850-3500-1	1	Secondary Platform
	BA-800-304	LH1850-3500-2	1	Secondary Platform
5	P33988	LH1850-1 & 2	1	Cylinder LH1850
	P33989	LH2500-1 & 2	1	Cylinder LH2500
	P33990	LH3000-3500-1 & 2	1	Cylinder LH3000-3500
	P33874	LH1850-1 & 2		Cylinder Packing Kit
	P33875	LH2500-1 & 2		Cylinder Packing Kit
	P33876	LH3000-3500-1 & 2		Cylinder Packing Kit
6	P43578	LH1850-3500-1 & 2	3	Cylinder Bushings
7	AA-800-147	LH1850-3500	1	Shaft Assy. Cyl. Base End
	AA-800-228	LH1850-3500-2	1	Shaft Assy. Cyl. Base End
8	AA-800-102	LH 1850-3500	1	Shaft Assy. Cyl. Rod End
	AA-800-234	LH1850-3500-2	1	Shaft Assy. Cyl. Rod End
9	AA-800-107	LH 1850-3500	2	Shaft Assy. For Tension Arm
	AA-800-230	LH1850-3500-2	2	Shaft Assy. For Tension Arm
10	AA-800-105	LH 1850-3500	2	Shaft Assy. For Compression Arm
	AA-800-232	LH1850-3500-2	2	Shaft Assy. For Compression Arm
11	P25178	LH1850-3500-1 & 2	1	LH Spring
12	P25179	LH1850-3500-1 & 2	1	RH Spring
13	BA-800-037	LH1850-3500-1 & 2	1	RH Cam Assembly
14	BA-800-038	LH1850-3500-1 & 2	1	LH Cam Assembly
15	AP-800-026-1	LH1850-3500-1	2	Cam Plate Pin
	AP-800-235	LH1850-3500-2	2	Cam Plate Pin
16	AP-800-108-1	LH1850-3500-1	2	Platform Cam Pin
	AP-800-237	LH1850-3500-2	2	Platform Cam Pin
17	AP-800-027	LH1850-3500-1	2	Ramp Pin
	AP-800-236	LH1850-3500-2	2	Ramp Pin
18	AP-800-129	LH1850-3500-1 & 2	1	Roller for Radius Arm
19	DP-800-059	LH1850-3500-1 & 2	1	Tension Arm Assembly
20	P33790	LH1850-3500-1 & 2	1	Rod Lube Kit (32")
21	AT-501-100-024	LH1850-3500-1 & 2	1	Hydraulic Line Assembly
22	CA-800-244	LH1850-3500-1 & 2	1	P/U Box Assembly
23	P33967	LH1850-3500-1 & 2	1	SPX (Stone/Fenner) Power Unit
	P33991	LH1850-3500-1 & 2	1	Monarch Power Unit
24	P43575	LH1850-3500-2	4	Greaseless Bearing
25	P43576	LH1850-3500-2	4	Greaseless Bearing
26	BPL2717	LH1850-3500-1 & 2	1	Push Button Remote
	BPL2758	LH1850-3500-1 & 2	1	Toggle Switch Remote
27	OPT. 171	LH1850-3500-1 & 2	1	Power Line (35' - 2 Ga.)
28	AP-800-121	LH1850-3500-1 & 2	2	Spacer
29	P25181	LH1850-3500-1 & 2	4	Grommets 3/8 I.D. x 7/8 O.D.
	P25136	LH1850-3500-1 & 2	3	Grommets 7/8 I.D. x 1 5/8 O.D.
30	P26022	LH1850-3500-1 & 2	4	Spacer Washers



# LEYMAN



**MONARCH POWER UNIT  
BLACK MOTOR WITH THERMAL SWITCH PROTECTION**



## LEYMAN LH SPX/FENNER/STONE POWER UNIT



**AMT0090**



**APL2740**



**P34016**



**BMT0027**



**P33991**



**BMF3330**



**BPP2560**

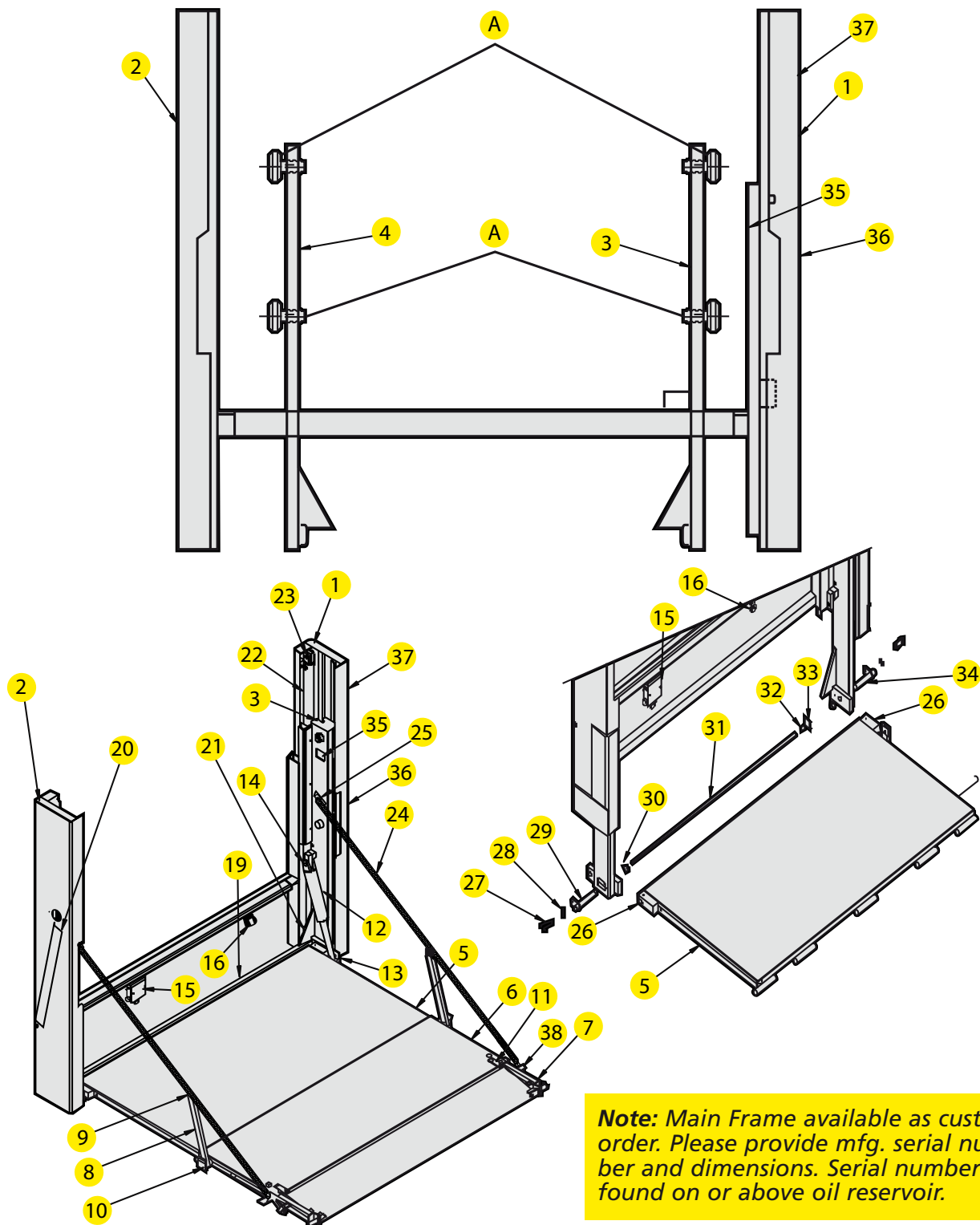
ITEM	LMC/NLP #	MODEL	QTY	DESCRIPTION
	P33967	LH1850-3500-1 & 2	1	Power Unit
	P33972	LH1850-3500-1 & 2	1	Complete Valve and Coil Assembly
1	P46614	LH1850-3500-1 & 2	1	AMT0090T Motor w/Thermal Switch
	AMT0100	LH1850-3500-1 & 2	1	Motor Heavy Duty
2	APL3050	LH1850-3500-1 & 2	1	Starter Solenoid
3	APP2569	LH1850-3500-1 & 2	1	Pump
4	P33971	LH1850-3500-1 & 2	1	Tank
5	APP3800	LH1850-3500-1 & 2	1	Breather Cap
6	P33981	LH1850-3500-1 & 2	1	Coil
7	P33982	LH1850-3500-1 & 2	1	Valve Stem
	BPL2758	LH1850-3500-1 & 2	1	Toggle Control Wired & Sealed
8	LEY2756-1	LH1850-3500-1 & 2	1	Wire Harness
9	APL2740	LH1850-3500-1 & 2	1	Sealed Toggle Switch
10	APP2125	LH1850-3500-1 & 2	1	Suction Tube
11	APP2100	LH1850-3500-1 & 2	1	Filter
12	P46614	LH1850-3500-1 & 2	1	Heat Sensor Switch
13	APP0240-1	LH1850-3500-1 & 2	4	Reservoir Mounting Screw
14	EPR6166	LH1850-3500-1 & 2	3	Fork Terminal w/ Heat Shrink
15	APL2249	LH1850-3500-1 & 2	2	Solenoid Mounting Screws
16		LH1850-3500-1 & 2	2	Power Unit Mounting Bolts

## MONARCH POWER UNIT

ITEM	LMC/NLP #	MODEL	QTY	DESCRIPTION
	P33991	LH1850-3500-1 & 2	1	Power Unit (Complete)
17	P33992	LH1850-3500-2	1	Motor w/ Heat Sensor
	BMT0027	LH1850-3500-1	1	Motor
18	P34016	LH1850-3500-1 & 2	1	Starter Solenoid
19	BPP2560	LH1850-3500-1 & 2	1	Pump
20	P34018	LH1850-3500-1 & 2	1	Reservoir
	BPP3140	LH1850-3500-1	1	Reservoir
21	BPP3800	LH1850-3500-1 & 2	1	Breather Cap
22	BMF3330	LH1850-3500-1 & 2	1	Drain Valve
23	BPL2758	LH1850-3500-1 & 2	1	Toggle Control Wired & Sealed
24	APL2740	LH1850-3500-1 & 2	1	Sealed Toggle Switch
25	BPP2128	LH1850-3500-1 & 2	1	Suction Tube
26	BPP2100	LH1850-3500-1 & 2	1	Filter
27	APP9300	LH1850-3500-1 & 2	1	Hose Clamp for Reservoir Mount
28	EPR6166	LH1850-3500-1 & 2	3	Fork Terminal w/ Heat Shrink
29	BPL9050	LH1850-3500-1 & 2	2	Solenoid Mounting Screws
30	APL9200	LH1850-3500-1 & 2	1	Terminal Strap
31		LH1850-3500-1 & 2	2	Power Unit Mounting Screws
32		LH1850-3500-1	1	Rod Lube Fitting

**SAME DAY SHIPPING**  
on in-stock orders, placed by 3:00pm EST

## LEYMAN FDC MAIN FRAME ASSEMBLY - AFTER 2000





## FDC MAIN FRAME LAYOUT - AFTER 2000



**P33547**



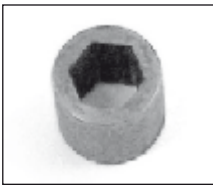
**AA-501-305**



**S790-060-000**



**P33877**



**AP-808-108**

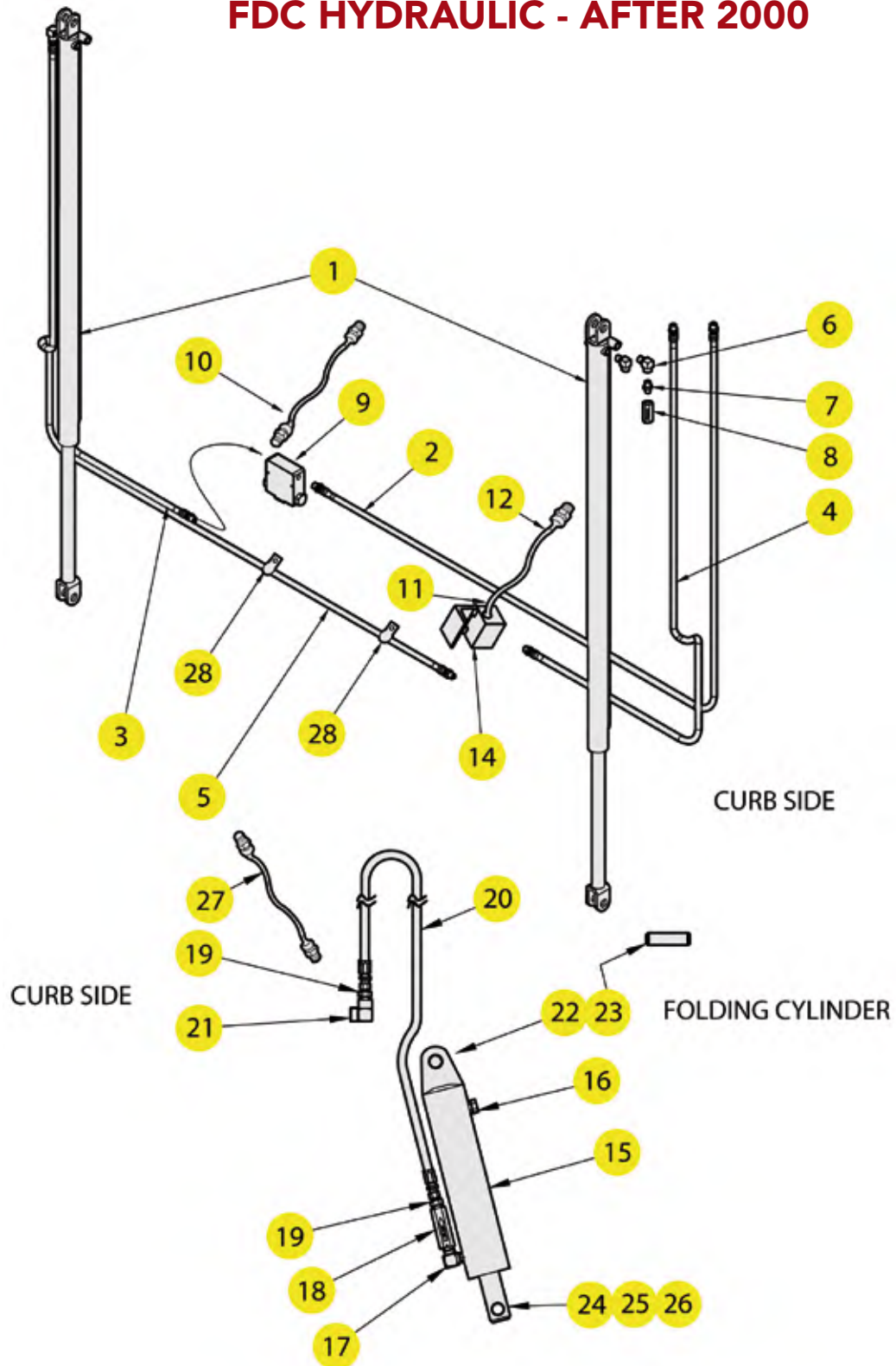


**BA-818-199**

ITEM	LMC/NLP #	MODEL	QTY	DESCRIPTION
A	Model/Serial #	FDCXX56/RM	4	Roller Assy.
1	Model/Serial #	FDCXX56/RM	1	Curb Side Outer Mast
2	Model/Serial #	FDCXX56/RM	1	Driver Side Outer Mast
3	Model/Serial #	FDCXX56/RM	1	Curb Side Inner Mast
4	Model/Serial #	FDCXX56/RM	1	Driver Side Inner Mast
5	Model/Serial #	FDCXX56/RM	1	Primary Platform
6	Model/Serial #	FDCXX56/RM	1	Secondary Platform
7	Model/Serial #	FDCXX56/RM	1	Ramp Assembly
	Model/Serial #	FDCXX56/RM	1	Fixed Taper
	Model/Serial #	FDCXX56/RM	1	Cart Stop
8	Model/Serial #	FDCXX56/RM	2	Tension Arm
9	P11039	FDCXX56/RM	2	Tension Arm Mtg. Hardware (Bolt)
	P26021	FDCXX56/RM	4	Tension Arm Mtg. Hardware (Washer)
	P23526	FDCXX56/RM	2	Tension Arm Mtg. Hardware (Nut)
10	P18523	FDCXX56/RM	2	Tension Arm Mtg. Hardware (Bolt)
	P26004	FDCXX56/RM	4	Tension Arm Mtg. Hardware (Washer)
	P23511	FDCXX56/RM	2	Tension Arm Mtg. Hardware (Nut)
11	AA-999-029	FDCXX56/RM	1	Ramp Hold Down Assy.
12	P33877	FDCXX56/RM	1	Power Close Cylinder
		FDCXX56/RM	1	Cylinder Packing Kit
13	S754-005.500	FDCXX56/RM	1	Bottom Cylinder Mtg. Pin
14	AP-811-200	FDCXX56/RM	1	Top Cylinder Mounting Pin
15	P33547	FDCXX56/RM	1	Flow Divider
16	AA-501-305	FDCXX56/RM	1	Tee Assembly
19	AT-805-054-001	FDCXX56/RM	1	Tie Bar (96")
	AT-805-054-002	FDCXX56/RM	1	Tie Bar (102")
20	Model/Serial #	FDCXX56/RM	1	Auto Lock Assy. (Call with Platform Size)
21	AA-811-328	FDCXX56/RM	2	Bottom Lift Cylinder Mtg. Pin
22	P33931	FDCXX56/RM	2	Lift Cylinder
	P33857	FDCXX56/RM	1	Cylinder Packing Kit
23	AA-811-328	FDCXX56/RM	2	Top Lift Cylinder Mtg. Pin
24	P38546	FDCXX56/RM	2	Chain
25	P38543	FDCXX56/RM	2	Chain to Mast Mtg. Hardware with Cotter
26	P43567	FDCXX56/RM	2	Platform Bearing
27	P11048	FDCXX56/RM	2	Bolt
28	P26017	FDCXX56/RM	2	Washer
29	BA-818-205	FDCXX56/RM	1	Pin Sub Assembly
30	P26020	FDCXX56/RM	2	Platform Spacer
31	S790-060.000	FDCXX56/RM	1	Torsion Bar
32	AP-808-108	FDCXX56/RM	1	Hex Sleeve
33	S055-002.000	FDCXX56/RM	1	Mounting Plate
34	BA-818-206	FDCXX56/RM	1	Pin Sub Assy.
35	BP-805-258	FDCXX56/RM	1	Single Switch Plate
36	BP-805-256	FDCXX56/RM	1	Double Switch Plate
37	P46030	FDCXX56/RM	1	Maintenance View Panel
38	P17563	FDCXX56/RM	2	Chain to Platform Mtg. Hardware (U-bolt)
	P26021	FDCXX56/RM	2	Flat Washer
	P23526	FDCXX56/RM	2	Lock Nuts



## FDC HYDRAULIC - AFTER 2000



## LEYMAN FDC HYDRAULIC - AFTER 2000

ITEM	LMC/NLP #	MODEL	QTY	DESCRIPTION
1	P33931	FDCXX56/RM	2	Hydraulic Lifting Cylinder
	P33857	FDCXX56/RM	1	Cylinder Packing Kit
2	AT-501-100-121	FDCXX56/RM	1	Hydraulic Line Assy. 96" Wide, Curb Side
	AT-501-100-127	FDCXX56/RM	1	Hydraulic Line Assy. 102" Wide, Curb Side
3	AT-501-100-083	FDCXX56/RM	1	Hydraulic Line Assy. 96" Wide, Driver's Side
	AT-501-100-083	FDCXX56/RM	1	Hydraulic Line Assy. 102" Wide, Driver's Side
4	AT-501-100-091	FDCXX56/RM	1	Hydraulic Line Assy. 96" Wide, Curb Side
	AT-501-100-090	FDCXX56/RM	1	Hydraulic Line Assy. 102" Wide, Curb Side
5	AT-501-100-123	FDCXX56/RM	1	Hydraulic Line Assy. 96" Wide, Driver's Side
	AT-501-100-130	FDCXX56/RM	1	Hydraulic Line Assy. 102" Wide, Driver's Side
6	P33006	FDCXX56/RM	4	Street Elbow
7	P33064	FDCXX56/RM	2	Nipple
8	P33619	FDCXX56/RM	2	Flow Control 2.8 GPM
	P33914	FDCXX56/RM	2	Flow Control 2.0 GPM
9	P33547	FDCXX56/RM	1	Equalizer Valve
10	AT-501-101-025	FDCXX56/RM	3	Hyd. Line Assy. SPX/Stone/Fenner Power Down
	AT-501-365-025	FDCXX56/RM	2	Hyd. Line Assy. Monarch Gravity Down
11	P33710	FDCXX56/RM	2	Brass Male Straight Connector
12	P33711	FDCXX56/RM	1	3/8" Poly Tubing (Rod Lube) Gravity Down (28')
	AT-501-101-025	FDCXX56/RM	2	Hyd. Line Assy. SPX/Stone/Fenner Gravity Down
	AT-501-365-025	FDCXX56/RM	3	Hyd. Line Assy. Monarch Power Down
14	AA-501-305	FDCXX56/RM	1	Tee Assembly
15	P33877	FDCXX56/RM	1	Power Fold Cylinder
16	P33646	FDCXX56/RM	1	Breather Plug
17	P33217	FDCXX56/RM	1	Male Elbow (Prince Cylinder)
	P33064	FDCXX56/RM	1	Straight Adapter (Best Cylinder)
18	P33671	FDCXX56/RM	1	Flow Control
19	P33750	FDCXX56/RM	2	Adapter
20	AT-501-284-081	FDCXX56/RM	1	Hose Assembly
21	P33209	FDCXX56/RM	1	Female Elbow
22	AP-811-200	FDCXX56/RM	1	Top Ram Mounting Shaft
23	P24019	FDCXX56/RM	2	Retaining Ring
24	S754-003.500	FDCXX56/RM	1	Bottom Ram Mounting Pin
25	P47500	FDCXX56/RM	1	Roll Pin
26	P26020	FDCXX56/RM	4	Washer
	AT-501-101-025	FDCXX56/RM	1	Hose Assembly (SPX/Stone/Fenner Unit)
27	AT-501-365-025	FDCXX56/RM	1	Hose Assembly (Monarch Unit)
	HDW1	FDCXX56/RM	7	Hose Clamp

### NOTES:



P33931



P33877



P33547



P33619



P33671



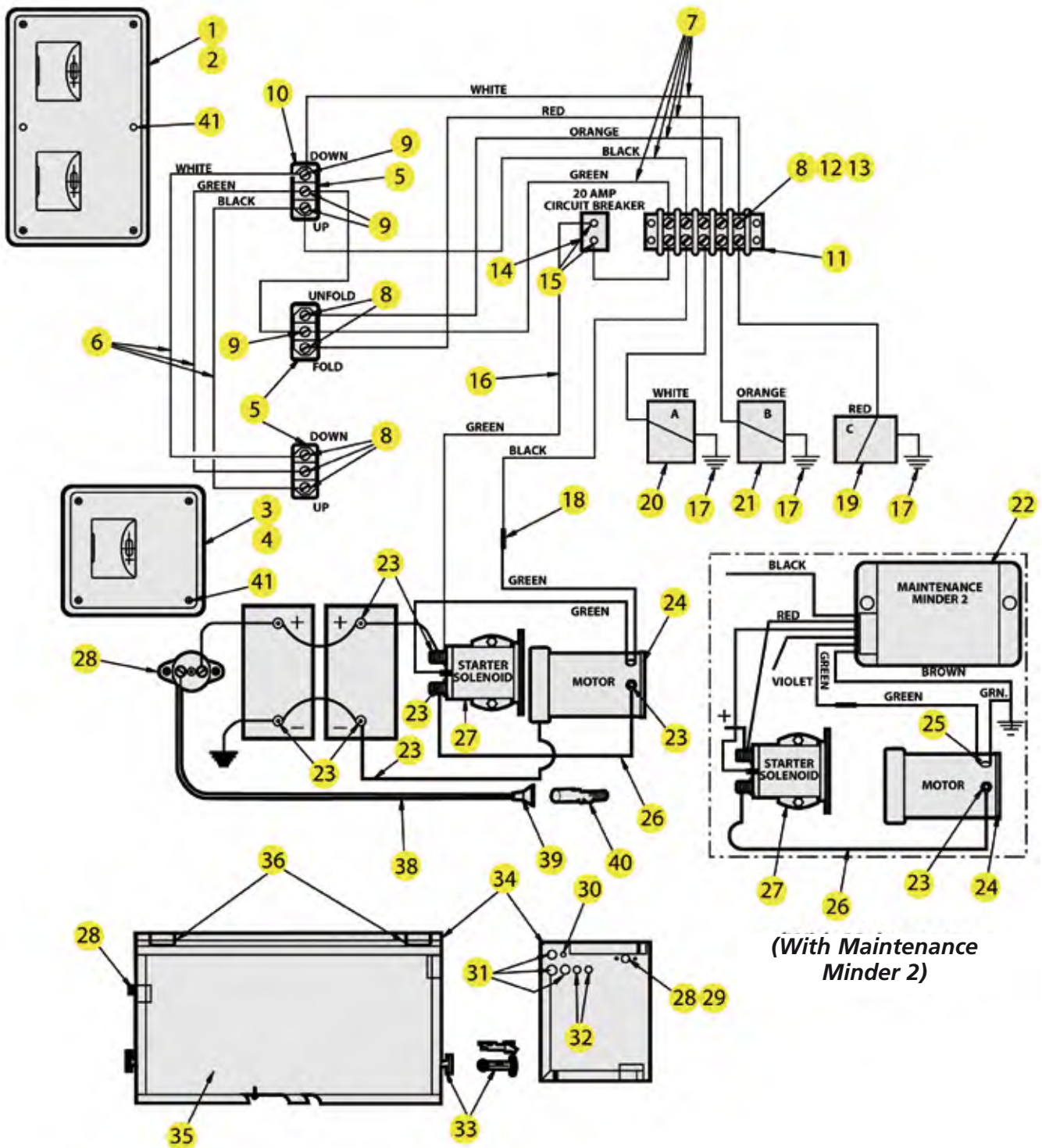
P33209



AA-501-305

# LEYMAN

## LEYMAN FDC ELECTRICAL - AFTER 2000





## FDC ELECTRICAL LAYOUT FDC XX56/RM AFTER 2000

ITEM	LMC/NLP #	MODEL	QTY	DESCRIPTION
1	BP-805-256	FDCXX56/RM	1	Double Switch Plate
2	BP-805-287	FDCXX56/RM	1	Double Switch Plate Gasket
3	BP-805-258	FDCXX56/RM	1	Single Switch Plate
4	BP-805-286	FDCXX56/RM	1	Single Switch Plate Gasket
5	APL2740	FDCXX56/RM	3	Toggle Switch
6	ELW2163	FDCXX56/RM	13'	16-3 Cord
7	P46443	FDCXX56/RM	40'	16-5 Cord
8	EPR6266	FDCXX56/RM	13	16-14 #6 Spade Term.
9	EPR6208	FDCXX56/RM	5	12-10 #8 Spade Term.
10	CA-551-296	FDCXX56/RM	1	Switch Assy. (Includes 5,7,8,9) wired
11	P46474	FDCXX56/RM	1	Terminal Block
12	P19519	FDCXX56/RM	2	RD. HD. Machine Screw
13	P23535	FDCXX56/RM	2	Nylon Insert Lock Nut
14	APL7020	FDCXX56/RM	1	20 Amp Circuit Breaker
15	EPR3610	FDCXX56/RM	2	16-14 Ring Terminal
16	P46301	FDCXX56/RM	2'	16-26 MT 2-64 Standard Wire
17	EPR3610	FDCXX56/RM	2	16-14 Ring Terminal
18	EPR8664	FDCXX56/RM	1	16-14 Butt Connector
19	P33962	FDCXX56/RM	1	C-Valve (SPX/Stone/Fenner Unit) Red-Blue
	P34036	FDCXX56/RM	1	C-Valve (Monarch Unit) Red-Blue
20	P33954	FDCXX56/RM	1	A-Valve (SPX/Stone/Fenner Unit) White-Blue
	P34034	FDCXX56/RM	1	A-Valve (Monarch Unit) White-Blue
21	P33956	FDCXX56/RM	1	B-Valve (SPX/Stone/Fenner Unit) Orange-Blue
	P34035	FDCXX56/RM	1	B-Valve (Monarch Unit) Orange-Blue
22	P46608	FDCXX56/RM	1	Maintenance Minder 2
23	P46403	FDCXX56/RM	6	2 Ga. Tinned Lug
	P46127	FDCXX56/RM	6	2 Ga. Battery Cable
24	P34027	FDCXX56/RM	1	Motor with Heat Sensor (Monarch)
	BMT0021	FDCXX56/RM	1	Old Style (Monarch)
	AMT0100	FDCXX56/RM	1	Motor (SPX/Stone/Fenner)
25	P46614	FDCXX56/RM	1	Heat Sensor for SPX/Stone/Fen. Motor
26	APL9200	FDCXX56/RM	1	Terminal Strap
27	P34016	FDCXX56/RM	1	Trombetta Solenoid (New Style)
	APL3014	FDCXX56/RM	1	4 Post Solenoid (Old Style)
	APL3050	FDCXX56/RM	1	Smart Start Solenoid (SPX/Stone/Fen.)
28	APL9015	FDCXX56/RM	1	150 Amp. Circuit Breaker
29	P46546	FDCXX56/RM	1	Non-Threaded Plug
30	P25176	FDCXX56/RM	1	Rubber Grommet
31	P25136	FDCXX56/RM	3	Rubber Grommet
32	P46445	FDCXX56/RM	2	Cord Grip
33	P49082	FDCXX56/RM	2	Rubber T-Handle Draw Latch
34	CA-658-206	FDCXX56/RM	1	Power Unit Enclosure
35	CA-658-128	FDCXX56/RM	1	Power Unit Enclosure Door
36	P49089	FDCXX56/RM	2	Weldable Bullet Hinge
37	P55336	FDCXX56/RM	1	Decals Power Down
	P55335	FDCXX56/RM	1	Decals Gravity Down
38	USL4022-1B	FDCXX56/RM	1	Charge Line
39	BPL2601	FDCXX56/RM	1	Female Trailer Socket Single Pole
	BPL2611	FDCXX56/RM	1	Female Trailer Socket Double Pole
40	BPL2602	FDCXX56/RM	1	Male Trailer Socket Single Pole
	BPL2612	FDCXX56/RM	1	Male Trailer Socket Double Pole
41	P17518	FDCXX56/RM	10	Switch Plate Mounting Screw



**P34027**



**P34016**



**P46608**



**APL2740**



**P49082**



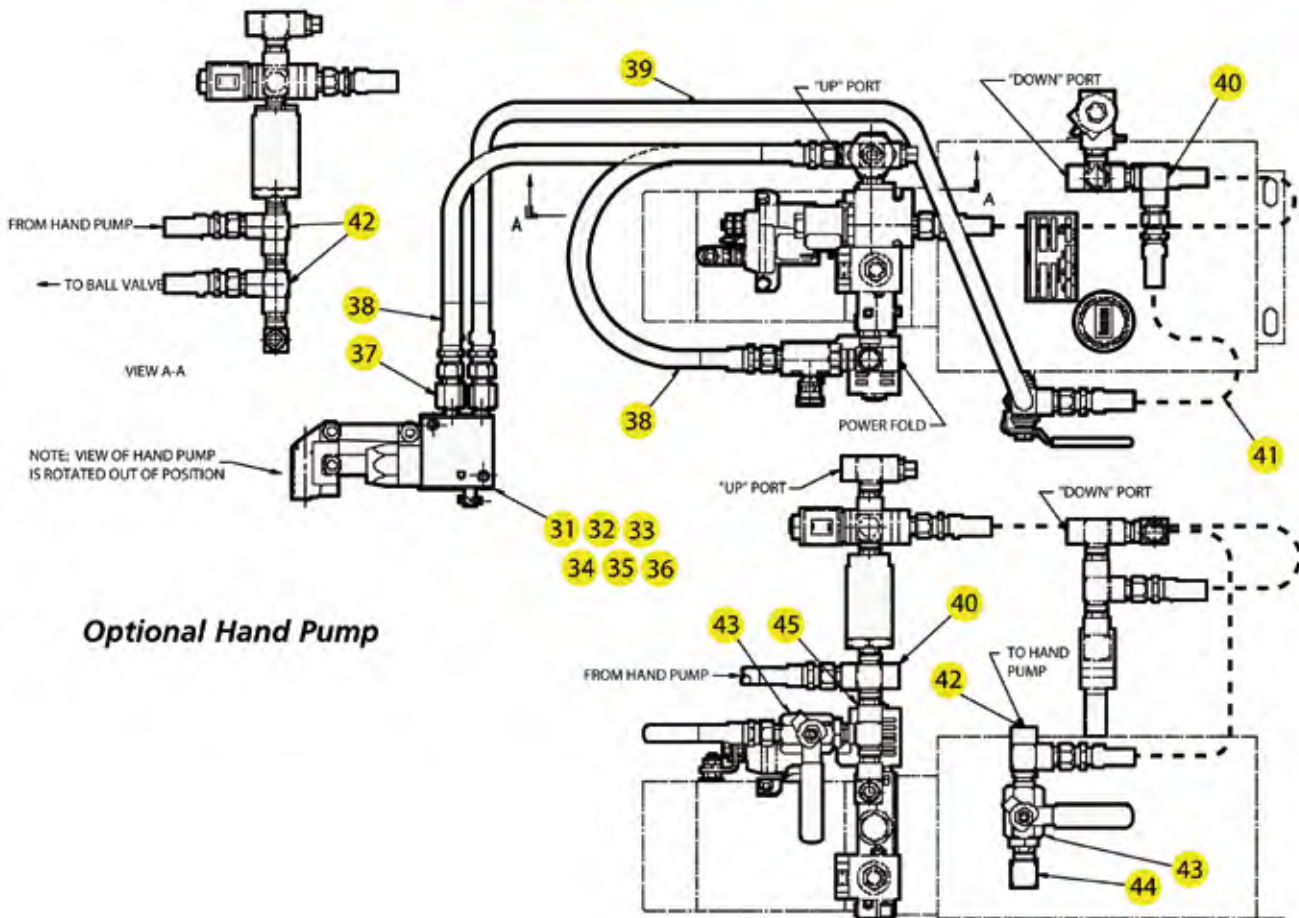
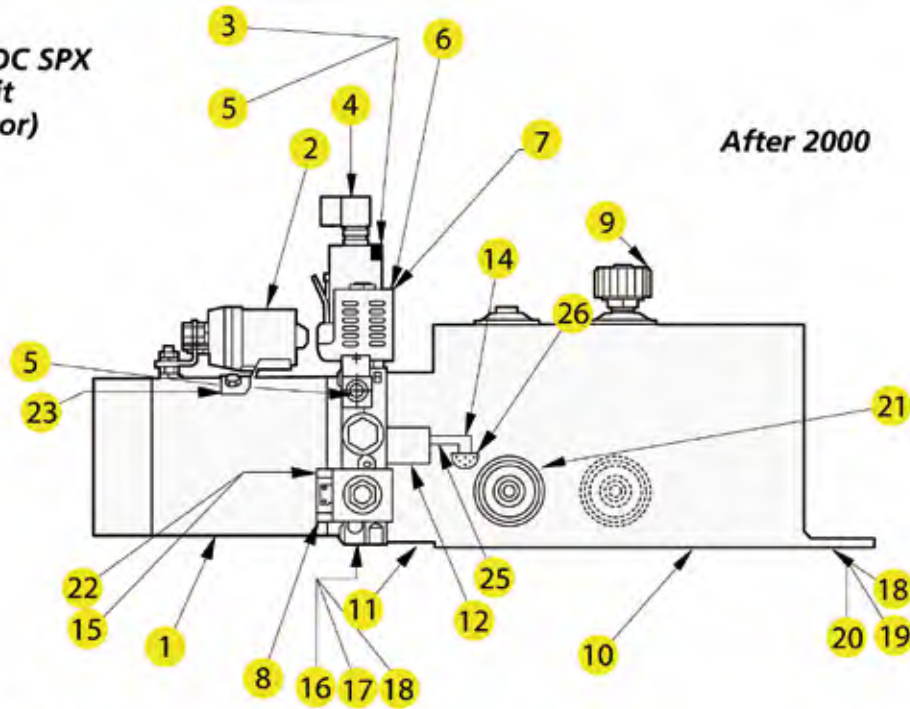
**P33962**



# LEYMAN

## Leyman FDC SPX Power Unit (Gold Motor)

After 2000



## Optional Hand Pump



**AMT0100**



**P33892A**



**P33956**



**P33962**



**APP2569**



**APP3159**

## LEYMAN FDC SPX/STONE/FENNER POWER UNIT - AFTER 2000

ITEM	LMC/NLP #	MODEL	QTY	DESCRIPTION
1	AMT0100	FDC	1	Motor
2	P33892A	FDC	1	Maintenance Minder Solenoid
	APL3050	FDC	1	Smart Start Solenoid
	APL3014	FDC	1	Start Solenoid
3	P33616	FDC	1	Filter
4	P33217	FDC	1	Male Elbow
5	P33006	FDC	1	Street Elbow
6	P33954	FDC	1	A Valve- White & Blue Wire
7	P33956	FDC	1	B Valve/Coil- Orange & Blue Wire
8	P33962	FDC	1	C Valve/Coil- Red & Blue Wire
9	APP3800	FDC	1	Breather Cap
10	APP3159	FDC	1	Reservoir
11	APP3301	FDC	1	O-Ring
12	APP2569	FDC	1	Pump
14	APP2103	FDC	1	Suction Cover Kit
15	APP1006	FDC	1	Coupler 9 to 9
16	P10526	FDC	1	Mounting Bolts
17	P27030	FDC	1	Star Washer
18	P26504	FDC	1	Flat Washer
19	P11048	FDC	1	Hex HD Bolt
20	P23501	FDC	1	Lock Nut
21	AMF9050	FDC	1	Plug
22	P33780	FDC	1	Oil Seal
23	APL2249	FDC	1	Solenoid Mounting Screw
25	APP2128	FDC	1	Filter Tube
26	APP2100	FDC	1	Filter

## LEYMAN OPTIONAL HAND PUMP

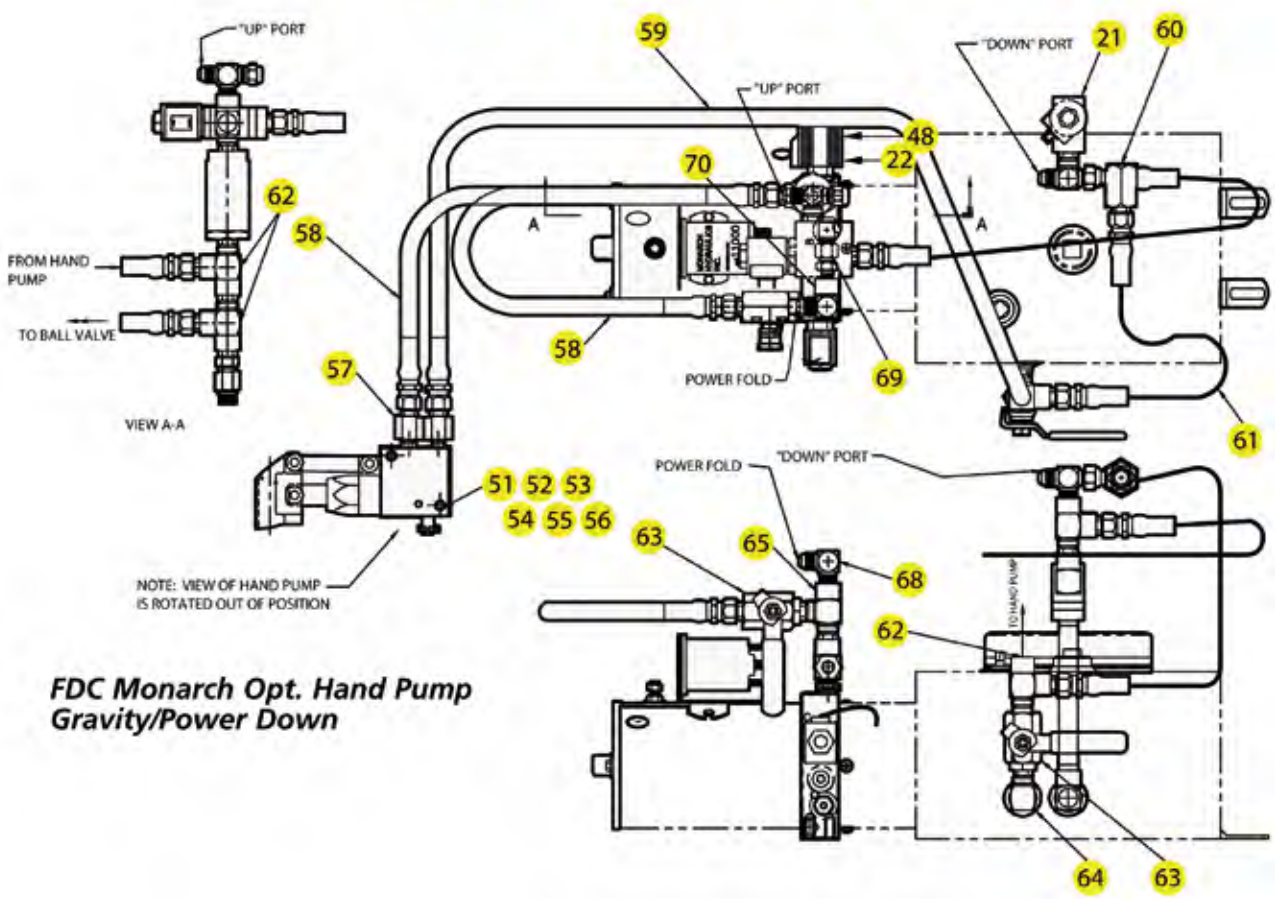
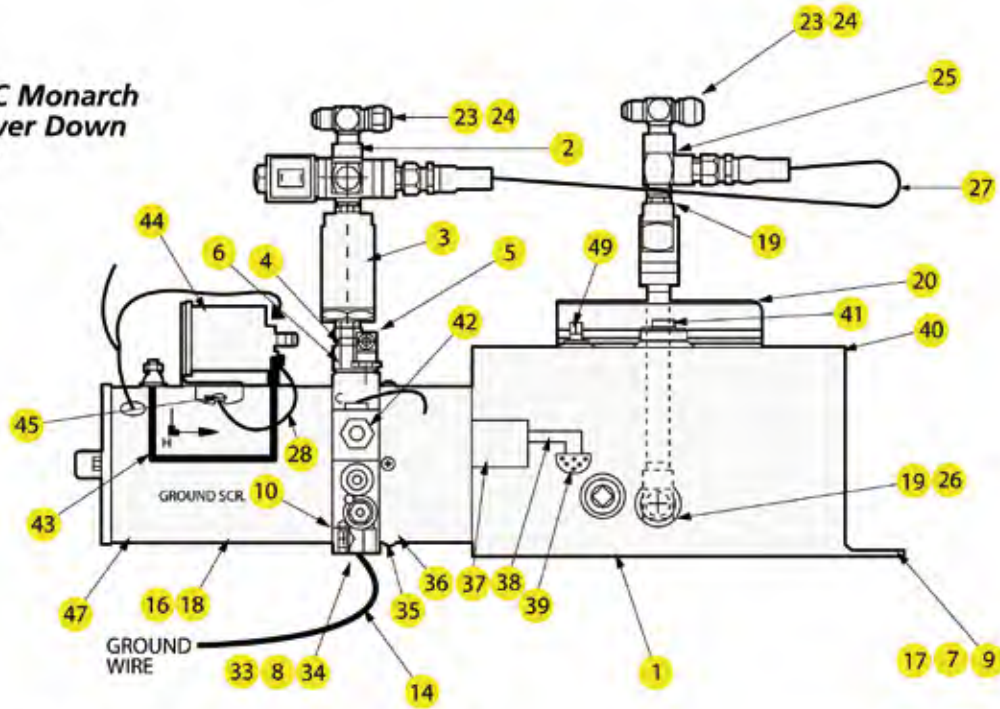
ITEM	LMC/NLP #	MODEL	QTY	DESCRIPTION
31	P33902	FDC	1	Hand Pump w/ Handle
32	P15540	FDC	2	Socket Head Cap Screw
33	P23502	FDC	2	Lock Nut
34	AP-501-267	FDC	1	Mounting Bracket
35	P10040	FDC	2	Bolt
36	P23510	FDC	2	Lock Nut
37	P33101	FDC	2	Adapter
38	AT-501-100-015	FDC	2	Hyd. Line Assy.
39	AT-501-100-035	FDC	1	Hyd. Line Assy.
40	P33008	FDC	2	Elbow
41	AT-501-100-020	FDC	1	Hyd. Line Assy.
	AT-501-100-018	FDC G/D	1	Hyd. Line Assy.
42	P33218	FDC	3	Tee
43	P33208	FDC	2	Ball Valve
44	P33217	FDC	1	Male Elbow
45	P33199	FDC	1	Male Street Tee
46	P48192	FDC	2	Tool Holder
47	P17518	FDC	2	Self Tapping Screw



# LEYMAN

## Leyman FDC Monarch Gravity/Power Down Power Unit

After 2000



## FDC Monarch Opt. Hand Pump Gravity/Power Down





## MONARCH FDC POWER/GRAVITY DOWN AFTER 2000



**P33616**



**P33902**



**P34016**



**P34027**



**P34036**



**P34035**

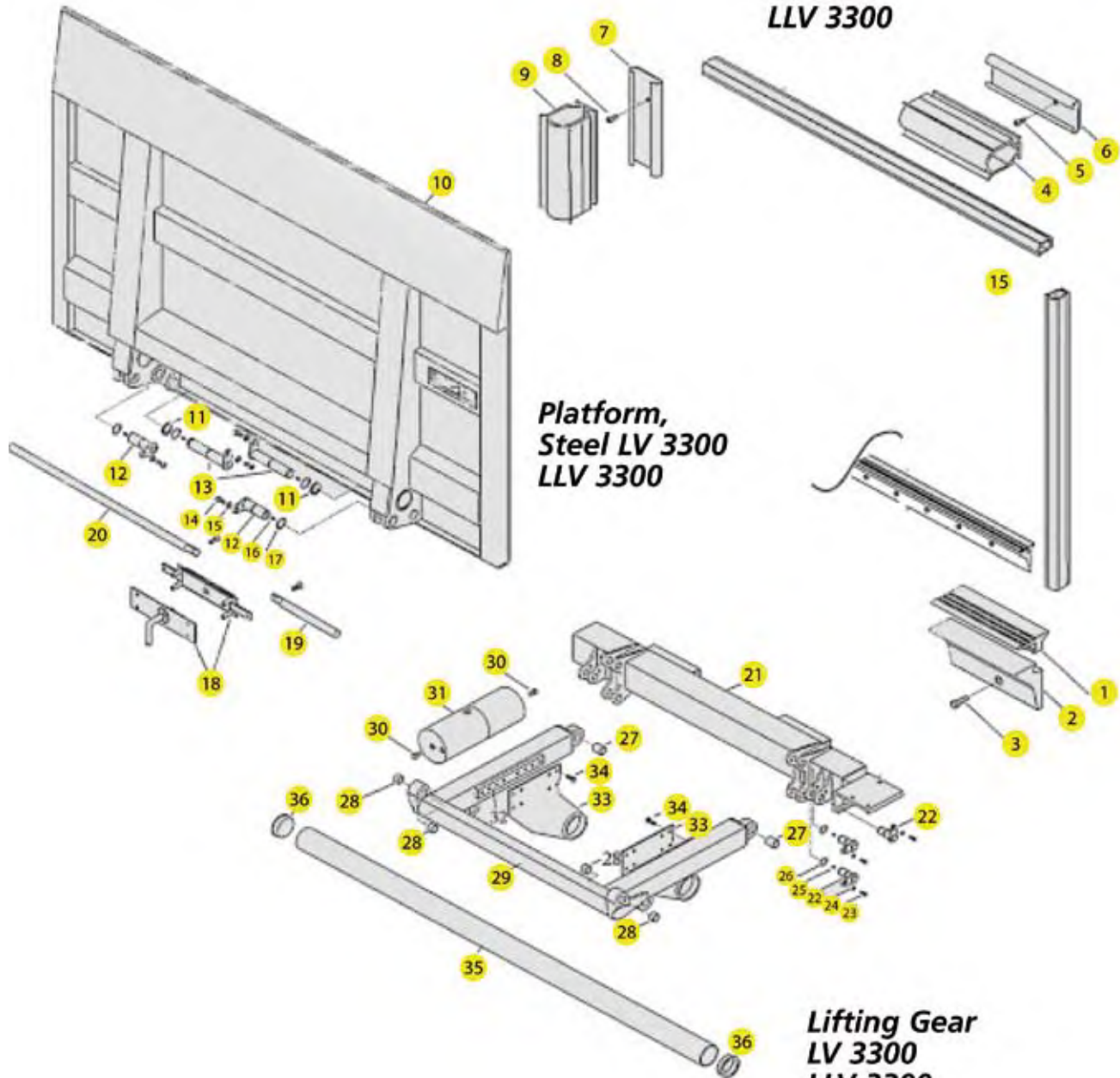
ITEM	LMC/NLP #	MODEL	QTY	DESCRIPTION
1	P33994		1	Power Unit
2	P33199	Power Down	1	Male Street Elbow
	P34005	Gravity Down	1	3/8" NPT 9/16-18-37"
3	P33616	P.D./G.D.	1	Filter
4	P33064	P.D./G.D.	1	Straight Nipple
5	P34020	P.D./G.D.	1	Elbow O-ring Boss
6	P33771	P.D./G.D.	1	Adapter
7	P10040	P.D./G.D.	2	Hex HD Bolt
8	P26017	P.D./G.D.	2	Split Lock Washer
9	P26506	P.D./G.D.	4	Flat Washer
10	P10572	P.D./G.D.	1	Hex HD Cap Screw
11	APL9015	P.D./G.D.	1	Circuit Breaker (Not Shown)
12	P18519	P.D./G.D.	2	10-24 x 1 Screw (Not Shown)
13	P23504	P.D./G.D.	2	10-24 Lock Nut
14	P46127	P.D./G.D.	2	Battery Cable 4 Ga.
15	P46403	P.D./G.D.	4	Battery Terminal
16	P11048	P.D./G.D.	1	Hex Bolt
17	P23510	P.D./G.D.	2	Lock Nut
18	P23538	P.D./G.D.	1	Hex Nut
19	P33006	Power Down	2	Street Elbow
20	BA-501-340	Power Down	1	Valve Support Bracket Kit
21	P33871	Power Down	2	Valve Block
22	P34035	P.D./G.D.	1	B-Valve & Coil Orange & Blue Wire
23	P34002	Power Down	2	Male Branch Tee
24	P34004	Power Down	2	Cap Nut
25	P33216	Power Down	1	Tee
26	P33007	Power Down	1	Nipple 6" Lg.
27	AT-501-100-020	Power Down	1	Hyd. Line Assy.
28	P46017	Power Down	1	#16 Black Wire (12" Lg.)
29	P46156	Power Down	1	Butt Conn. Insulated
30	P46318	Power Down	2	Female Connect Terminal
31	P46471	P.D./G.D.	2	Blue Ground Wire
32	P46507	P.D./G.D.	2	Ring Terminal
33	P10526	P.D./G.D.	2	Hex Bolt
34	P26501	P.D./G.D.	4	Flat Washer
35	BPP3149	P.D./G.D.	1	Reservoir Screw
36	BPP3300	P.D./G.D.	1	O-Ring
37	BPP2560	P.D./G.D.	1	Pump
38	BPP2128	P.D./G.D.	1	Filter Tube
39	BPP2100	P.D./G.D.	1	Filter
40	P34033	P.D./G.D.	1	Reservoir
41	BPP3800	P.D./G.D.	1	Breather
42	P34036	P.D./G.D.	1	C-Valve/Coil Red & Blue Wire
43	APL9200	P.D./G.D.	1	Terminal Strap
44	P34016	P.D./G.D.	1	Solenoid (Trombetta Power Seal)
45	BPL9050	P.D./G.D.	1	Solenoid Mount Screw
47	P34027	P.D./G.D.	1	Motor (New Style)
	BMT0021	P.D./G.D.	1	Motor (Old Style)
48	P34034	P.D./G.D.	1	A-Valve/Coil White & Blue Wire
49	P33710	P.D./G.D.	1	Brass Straight Fitting
ITEM	LMC/NLP #	MODEL	QTY	DESCRIPTION
51	P33902	P.D./G.D.	1	Hand Pump With Handle
52	P15540	P.D./G.D.	2	Socket Head Cap Screw
53	P23502	P.D./G.D.	2	Lock Nut
54	AP-501-267	P.D./G.D.	1	Mounting Bracket
55	P10040	P.D./G.D.	2	Bolt
56	P23510	P.D./G.D.	2	Lock Nut
57	P33101	P.D./G.D.	2	Adapter
58	AT-501-100-015	P.D./G.D.	2	Hyd. Line Assy.
	AT-501-100-035	P.D./G.D.	1	Hyd. Line Assy.
59	AT-501-100-018	G.D.	1	Hyd. Line Assy.
60	P34023	P.D./G.D.	1	Female Elbow
61	AT-501-100-080	P.D.	1	Hyd. Line Assy.
62	P33216	P.D./G.D.	3	Tee
63	P33208	P.D./G.D.	2	Ball Valve
64	P33217	P.D./G.D.	1	Male Elbow
65	P33199	P.D./G.D.	1	Male Street Tee
66	P46192	P.D./G.D.	2	Tool Holder
67	P17518	P.D./G.D.	2	Self Tapping Screw
68	P34005	P.D./G.D.	1	Elbow
69	P34009	P.D./G.D.	1	Straight Adapter
70	P34022	P.D./G.D.	1	90° Elbow



## Platform Seal Kit LV 3300 LLV 3300

## Platform, Steel LV 3300 LLV 3300

## Lifting Gear LV 3300 LLV 3300



## Platform Seal Kit

ITEM	NLP #	QTY	DESCRIPTION
	1480458	1	Complete seal kit (without rivets or bolts)
1	503282	1	Floor seal kit
2	305000	1	Floor seal mounting profile
3	503279	11	Self-threading bolt
4	408328	1	Upper seal
5	502119	12	Rivet
6	502121	1	Mounting profile
7	502121	2	Mounting profile
8	502119	20	Rivet
9	408326	2	Side seal 64"
	408327	2	Side seal 72"

## Steel Platform

ITEM	NLP #	QTY	DESCRIPTION
10		1	Platform (Call with model & serial number)
11	408317	4	Collar
12	407974	2	Pivot pin
13	407975	2	Pivot pin
14	600013	4	Bolt, M8 x 20
15	501962	4	Washer, lock
16	501510	4	Grease fitting
17	850027	4	Snap ring
18	210 306 368	1	Lock, complete
19	AP 810 064	1	Pin, 9 3/4"
20	AP 810 065	1	Pin, 83 3/8"
	AP 810 049	1	Keeper

## Lift Gear

ITEM	NLP #	QTY	DESCRIPTION
21	203567	1	Main frame (Call with model & serial number)
22	407973	8	Pivot pin
23	600013	8	Pivot pin bolt, M8 x 20
24	501962	8	Flat washer
25	503553	8	Grease fitting - 90 degrees
26	850027	8	Snap ring
27	501033	2	Bushing
28	503592	4	Bushing
29	203516	1	Lift arm, LV3300
	203572	1	Lift arm, LLV3300
30	502407	2	Bolt, M12 x 20
31	305952	1	Auto tilt (optional)
32	408535	2	Under run bar, fastening point
33	408537	2	Under run bar, mounting plate
34	600010	8	Socket head screw M16 x 30
35	408540	1	Under run bar tube
36	503960	2	Under run bar, end plug P37546



407975



407973



850027



407974

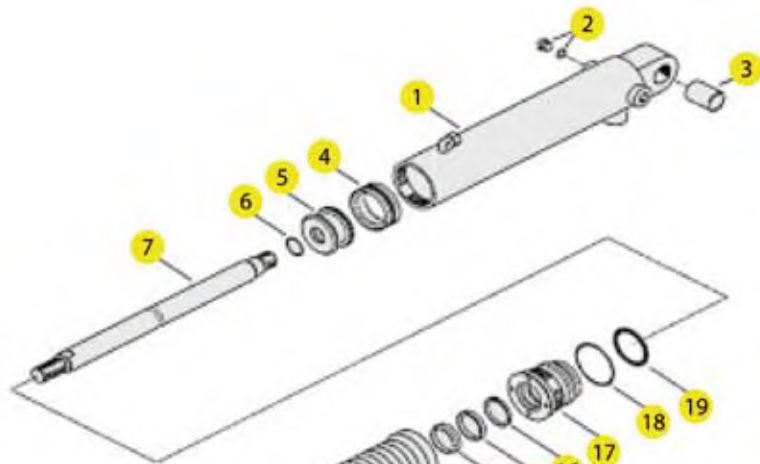


501033

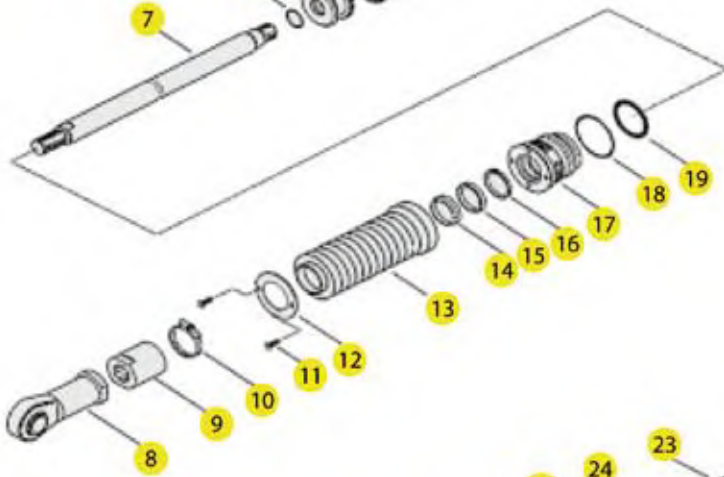


503553

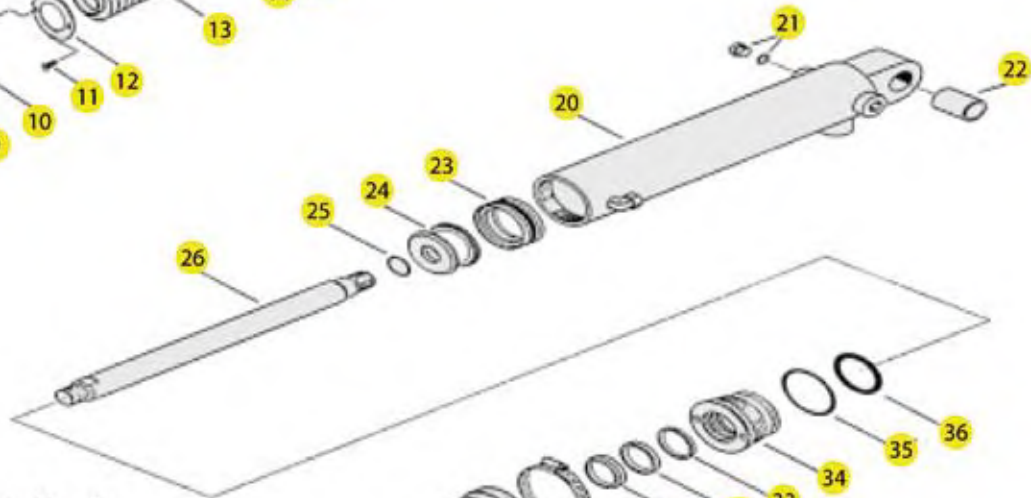




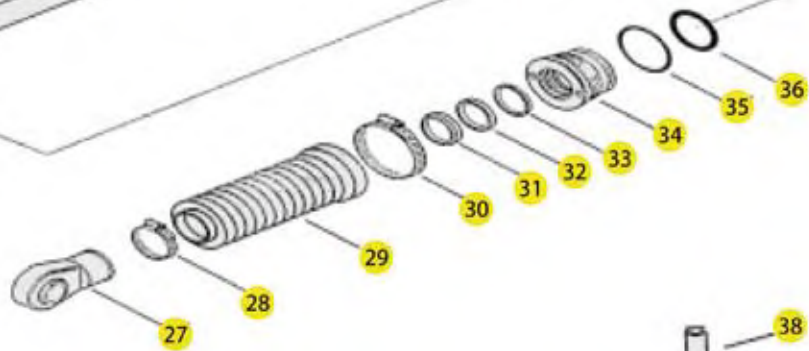
**Cylinders**  
LV 3300  
LLV 3300



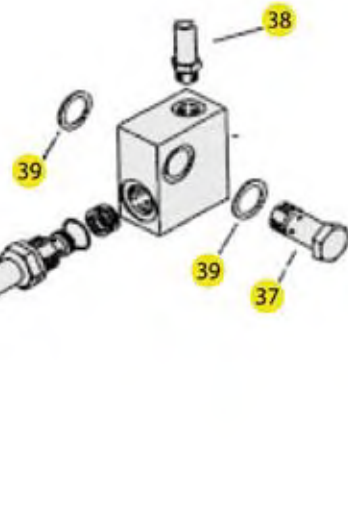
**Tilting Cylinder**  
LV 3300  
LLV 3300



**Lifting Cylinder**  
LV 3300  
LLV 3300



**Electric Hose  
Burst Valve**  
LV 3300  
LLV 3300



## Tilt Cylinder on outside (longest)

ITEM	NLP #	QTY	DESCRIPTION
	112118	1	Tilt Cylinder LV3300
	102192	1	Tilt Cylinder LLV3300
1	305739	1	Base tube
2	500766	1	Plug
3	501033	1	Bushing
4	503147	1	Pressure seal
5	305769	1	Piston
6	500722	1	O-ring
7	305764	1	Piston rod
8	418355	1	Clevis
9	503532	1	Nut
10	700006	1	Clamp
11	500368	2	Screw, bellow plate
12	407995	1	Bellow plate
13	503531	1	Bellow
14	503536	1	Wiper seal
15	503528	1	Pressure seal
16	503526	1	Pressure seal
17	305763	1	Ram nut
18	500029	1	O-ring
19	500030	1	O-ring
	503717	1	Complete seal kit
	P33972	1	Complete Valve and Coil Assembly



418355



408360



504502



504518

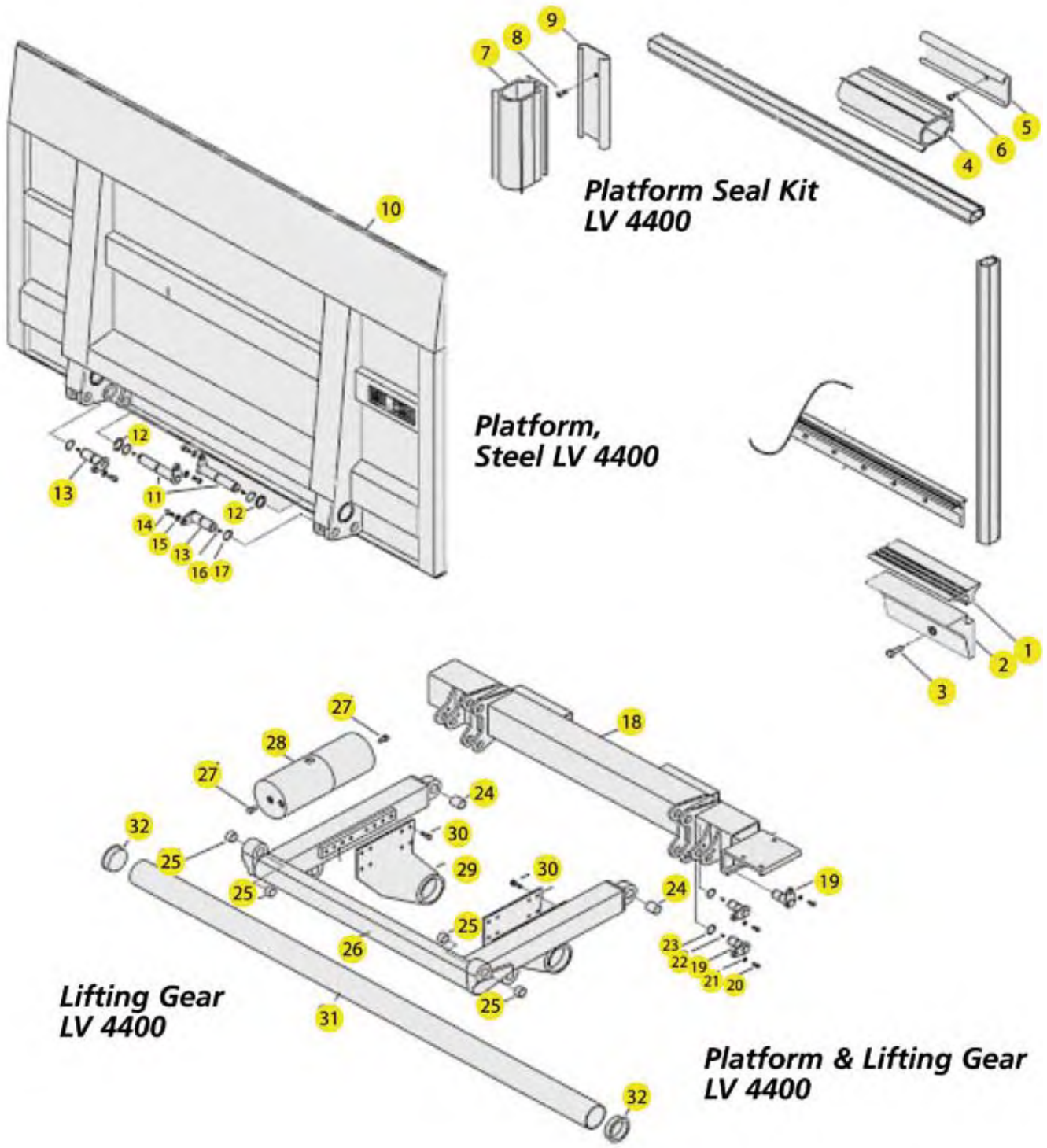
## Lift Cylinder on inside (shorter)

ITEM	NLP #	QTY	DESCRIPTION
	102119	1	Lift Cylinder (both LV3300 and LLV3300)
	503717	1	Seal kit for 102119
20	305758	1	Base tube
21	500766	1	Plug
22	501033	1	Bushing
23	503530	1	Pressure seal
24	305759	1	Piston
25	500487	1	O-ring
26	305757	1	Piston rod
27	408360	1	Clevis
28	700012	1	Clamp
29	305789	1	Bellow
30	501205	1	Clamp
31	503535	1	Wiper seal
32	503529	1	Pressure seal
33	503527	1	Pressure seal
34	305755	1	Ram nut
35	500615	1	O-ring
36	500492	1	O-ring

## Electric Hose Burst Valve

ITEM	NLP #	QTY	DESCRIPTION
	504502	4	Burst valve, lift cylinder - silver
	504518	2	Burst valve, auto tilt - gold
37	504516	1	Banjo/Constant speed regulator
38	503782	1	Male stud fitting
39	540003	2	Seal ring





## Platform Seal Kit

ITEM	NLP #	QTY	DESCRIPTION
1	503282	1	Floor seal
2	305000	1	Floor seal mounting profile
3	503279	11	Self threading bolt
4	408328	1	Upper seal
5	502121	1	Mounting profile
6	502119	20	Rivet
7	408326	2	Side Seal
8	502119	20	Rivet
9	502121	2	Mounting profile



305952



408326

## Steel Platform

ITEM	NLP #	QTY	DESCRIPTION
10			Platform LV4400 (Call w/model & serial no.)
11	408397	2	Pivot pin
12	408381	4	Collar
13	408396	2	Pivot pin
14	600013	4	Bolt, M8 x 20
15	501962	4	Washer
16	501510	4	Grease fitting
17	850015	4	Snap ring



408396



501031

## Lift Gear

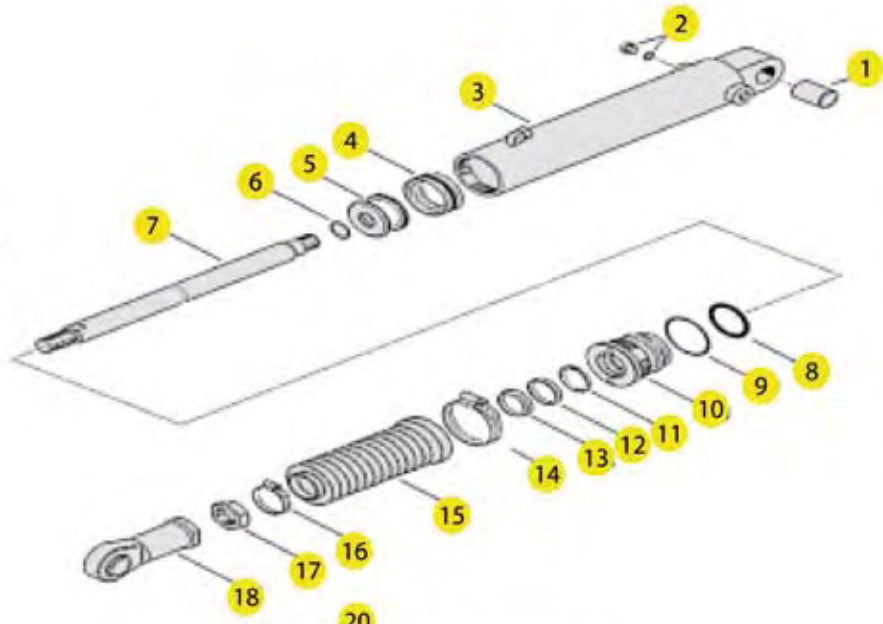
ITEM	NLP #	QTY	DESCRIPTION
18			Main frame (call with model & serial no.)
19	408379	8	Pivot pin
20	600013	8	Pivot pin bolt M8 x 20
21	504372	8	Washer
22	503553	8	Grease fitting, 90 degrees
23	850015	8	Snap ring
24	501031	4	Bushing
25	501031	4	Bushing
26	203526	1	Lifting arm, LV4400
27	502407	2	Bolt, M12 x 20
28	305952	1	Pressure Transformer
29	408537	2	Bracket, right & left
30	600010	8	Bolt
31	408540	1	Collision bar
32	503960	2	Under run bar, end plug



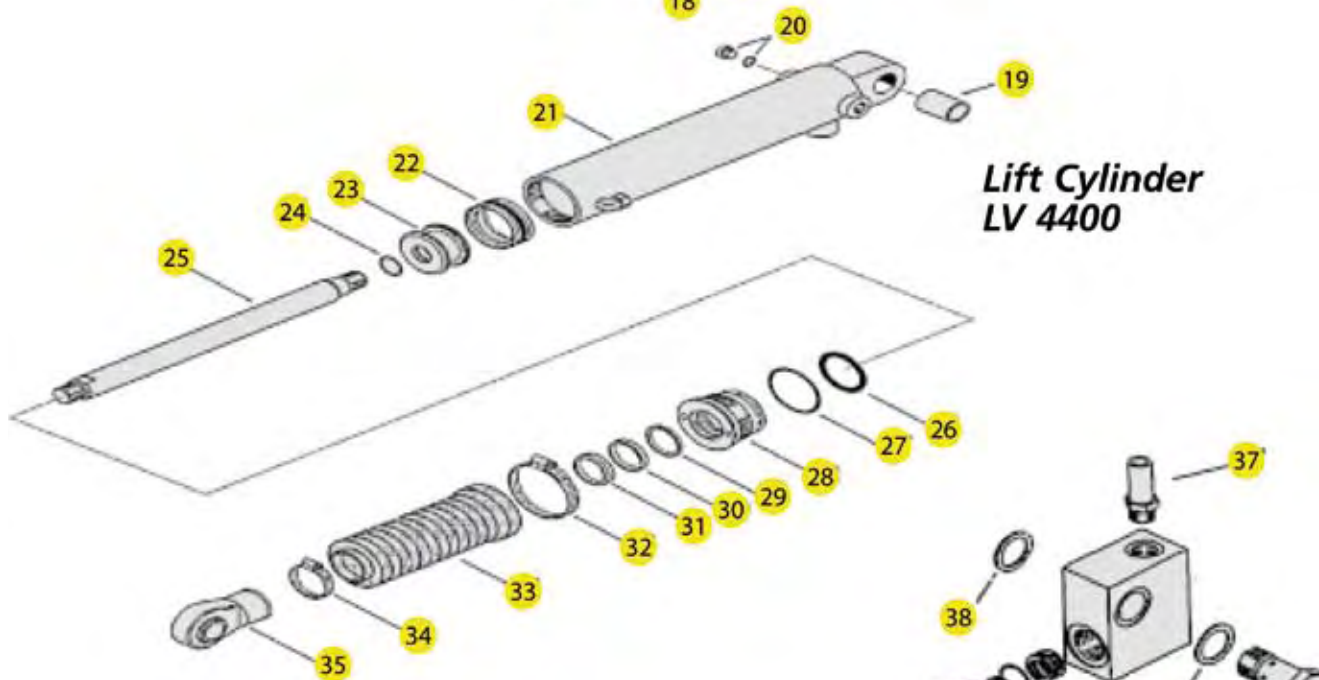
408379



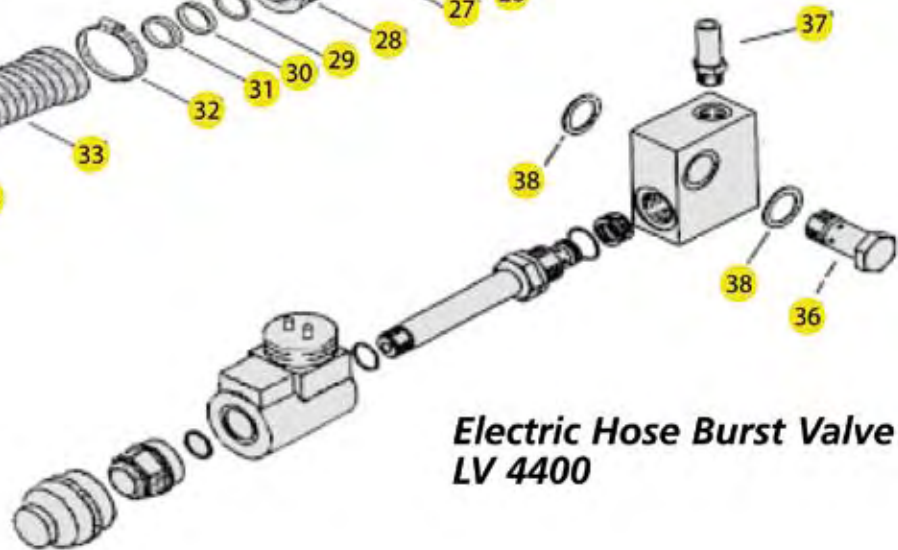
*Tilting  
Cylinder  
LV 4400*



*Lift Cylinder  
LV 4400*



*Electric Hose Burst Valve  
LV 4400*



## Tilting Cylinder

ITEM	NLP #	QTY	DESCRIPTION
	102158	1	LV 4400 Tilt Cylinder
1	501031	1	Bushing
2	500766	1	Plug
3	305973	1	Base tube
4	503713	1	Pressure seal
5	305976	1	Piston
6	500722	1	O-ring
7	305974	1	Piston rod
8	500044	1	O-ring
9	500077	1	O-ring
10	305975	1	Ram nut
11	503710	1	Pressure seal
12	503711	1	Pressure seal
13	503712	1	Wiper seal
14	503751	1	Plastic band
15	305997	1	Bellow
16	700012	1	Clamp
17	503714	1	Lock nut M35 x 3
18	408373	1	Clevis, piston rod
	503922	1	Seal Kit (includes #s 4, 6, 8, 9, 11-13)



102158



102112

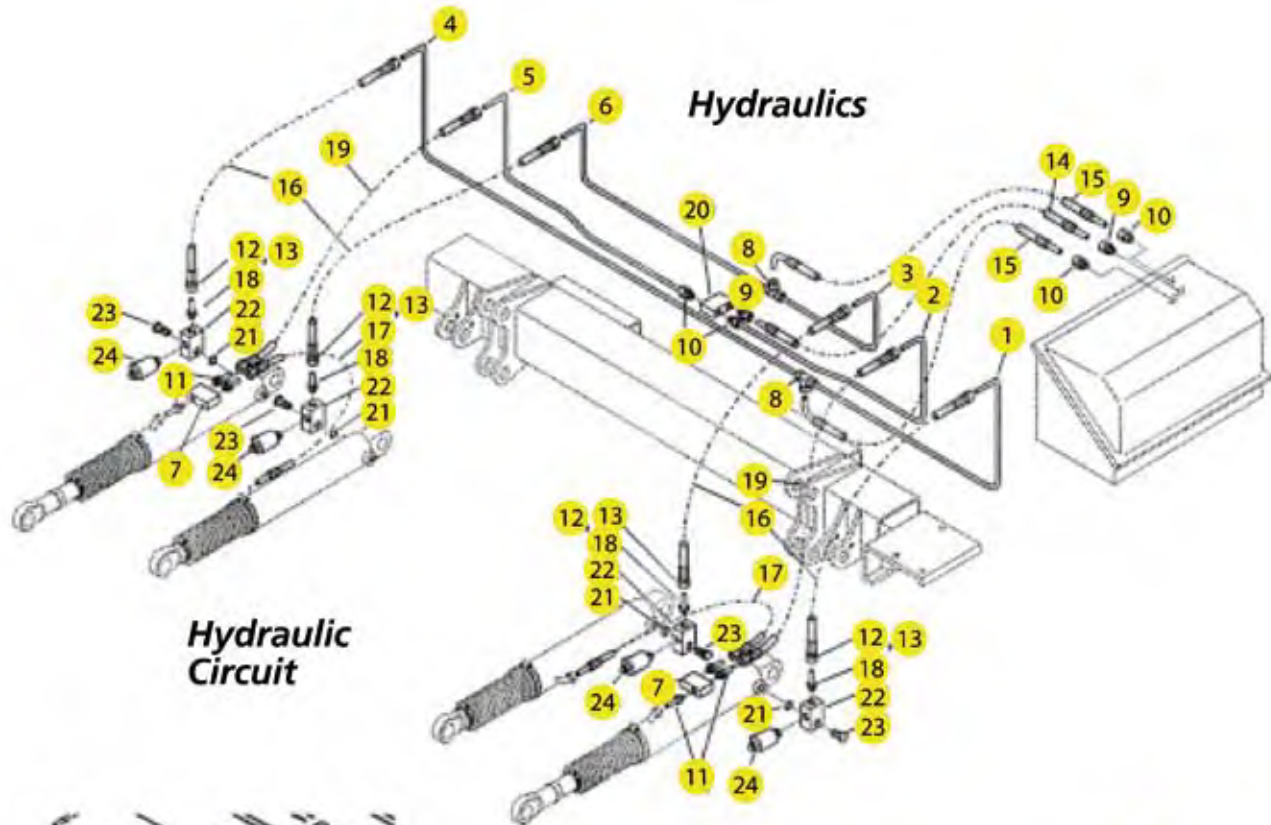
## Lift Cylinder

ITEM	NLP #	QTY	DESCRIPTION
	102112	1	LV 4400 Lift Cylinder
19	501031	1	Bush
20	500766	1	Plug 3/8"
21	305989	1	Base tube
22	503744	1	Pressure seal
23	305991	1	Piston
24	500722	1	O-ring
25	305990	1	Piston rod
26	500005	1	O-ring
27	500012	1	O-ring
28	305992	1	Ram nut
29	503526	1	Pressure seal
30	503528	1	Pressure seal
31	503536	1	Wiper seal
32	503751	1	Clamp, bellow
33	305997	1	Bellow
34	503750	1	Clamp, bellow
35	408373	1	Clevis, piston rod
	503921	1	Seal kit (includes 22, 26, 27, 29, 30, 31)

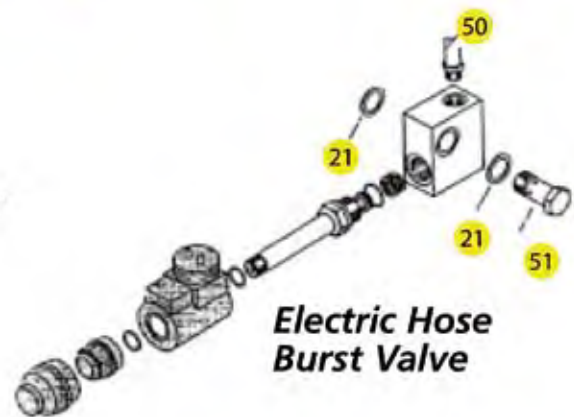
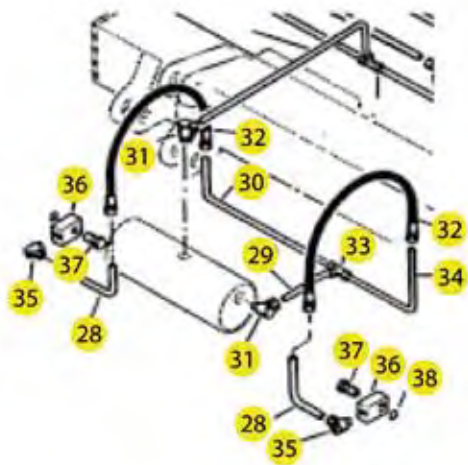
## Electric Hose Burst Valve

ITEM	NLP #	QTY	DESCRIPTION
	504502	4	Burst valve, Lift cylinder
	504518	2	Burst valve, Auto Tilt
36	504516	1	Banjo/Constant speed regulator
37	503782	1	Male stud fitting
38	540003	2	Seal ring

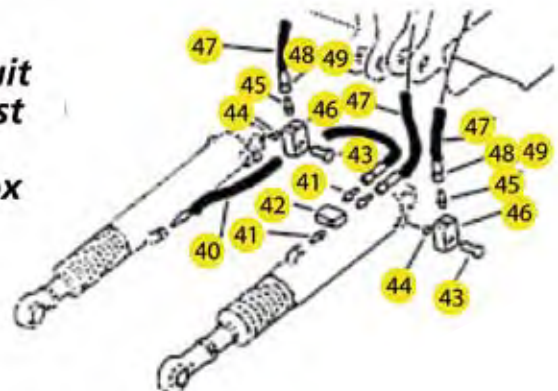




**Hydraulic Circuit**



**Hydraulic Circuit with Hose Burst Valve in Power Pack Box**



## Hydraulic Circuit

ITEM	NLP #	QTY	DESCRIPTION
1	408547	1	Tube
2	408548	1	Tube
3	408549	1	Tube
4	408550	1	Tube
5	408551	1	Tube
6	408552	1	Tube
7	408546	2	Distribution block
8	502926	4	T-fitting
9	502611	2	Male stud fitting
10	501777	4	Fitting
11	503598	6	Stud fitting
12	503715	14	Olive
13	503716	14	Nut
14	408560	1	High pressure hose 3/8"
15	408559	2	High pressure hose 1/4"
16	408557	6	High pressure hose 1/4"
17	408558	2	High pressure hose 1/4"
18	503782	4	Stud fitting
19	408557	2	High pressure hose 1/4"
20	408553	1	Distribution block
21	540003	8	Seal ring
22	504712	4	Valve block
23	504715	4	Banjo bolt/flow control valve
24	504502	4	Lock valve, 12V

## Pressure Transformer

ITEM	NLP #	QTY	DESCRIPTION
28	408176	2	Tube
29	408737	1	Tube
30	408736	1	Tube
31	710021	2	Banjo fitting
32	408557	2	High pressure hose 1/4"
33	502926	4	T-fitting
34	408577	1	Tube
35	502927	1	Banjo fitting
36	408124	2	Valve block
37	503506	6	Banjo bolt/Flow control valve
38	503704	10	O-ring

## Hydraulic Circuit with Valves in Power Pack Box

ITEM	NLP #	QTY	DESCRIPTION
40	408558	2	High Pressure Hose 1/4"
41	503598	6	Tubular nipple
42	408546	3	Distribution block
43	503506	4	Banjo bolt, block
44	503704	8	O-ring
45	503782	4	Tubular nipple
46	408124	4	Valve block
47	408557	6	High pressure hose 1/4"
48	503715	14	Ferrell
49	503716	14	Nut

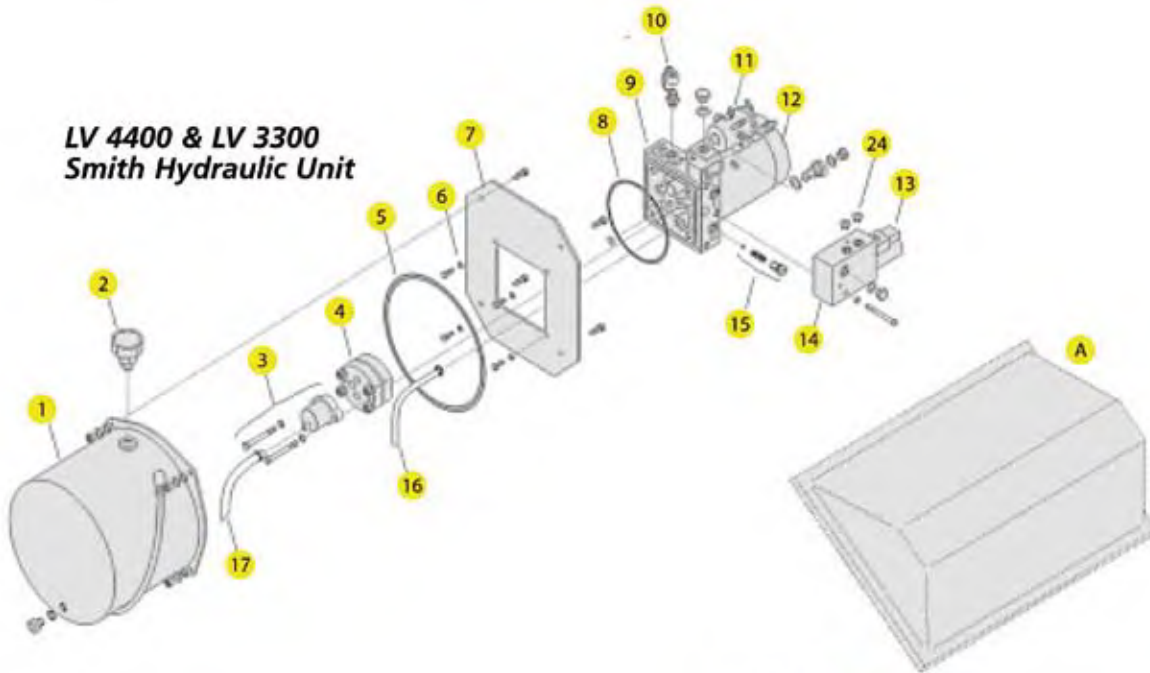
## Electric Hose Burst Valve

ITEM	NLP #	QTY	DESCRIPTION
	504502	4	Burst valve, lift cylinder
	504518	2	Burst valve, auto tilt
51	504516	1	Banjo/Constant speed regulator
50	503782	1	Male stud fitting
21	540003	2	Seal ring

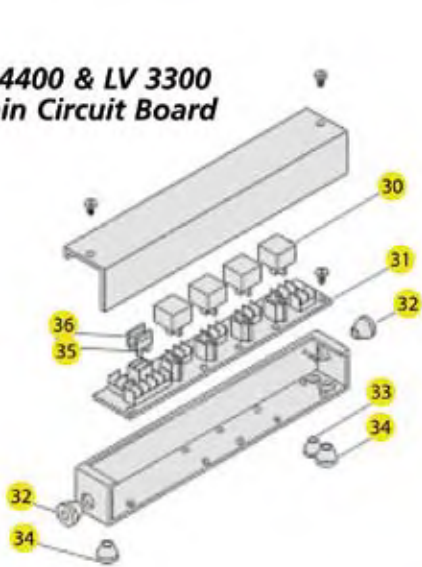


# LEYMAN

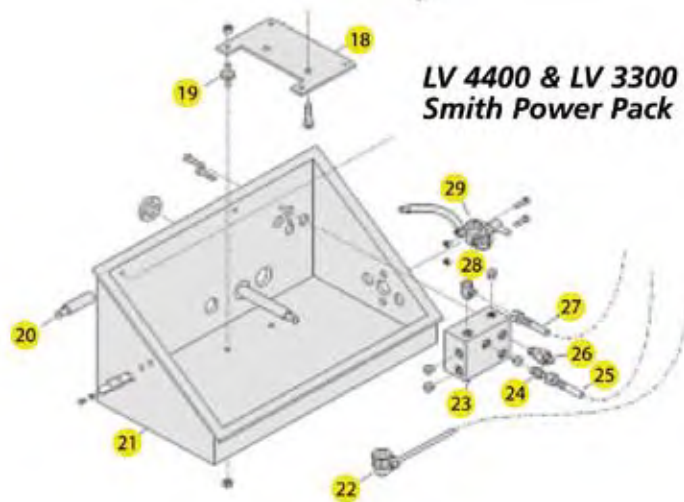
**LV 4400 & LV 3300  
Smith Hydraulic Unit**



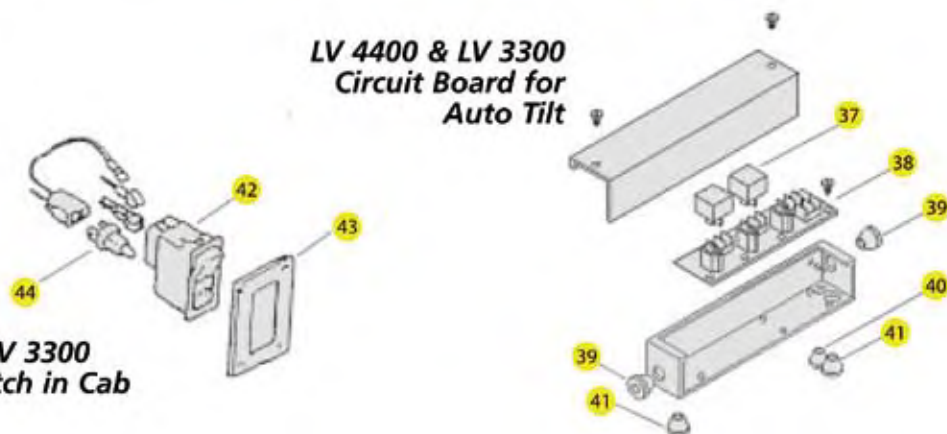
**LV 4400 & LV 3300  
Main Circuit Board**



**LV 4400 & LV 3300  
Smith Power Pack**



**LV 4400 & LV 3300  
Circuit Board for  
Auto Tilt**



**LV 4400 & LV 3300  
On/Off Switch in Cab**



## Hydraulic Circuit

ITEM	NLP #	QTY	DESCRIPTION
	204 515	1	Power pack ML, 12V
	504 501	1	Hydraulic unit, 12V
	307 121	1	Hydraulic unit, 12V
1	504 524	1	Oil tank
2	504 373	1	Breather plug
3	504 716	1	Suction filter
4	504 520	1	Pump
5	504 521	1	O-ring
6	504 727	4	Seal
7	504 702	1	Collar
8	504 720	1	O-ring
9	504 726	1	Valve block
10	501 714	1	Test nipple
11	504 379	1	Solenoid, 12V
	503 911	1	Solenoid, 12V
12	504 377	1	Motor, 12V
	504 723	1	Brush kit
13	504 700	1	Coil, 12V
14	504 375	1	Lowering valve, 12V
15	504 719	1	Relief valve
16	504 718	1	Return pipe
17	504 717	1	Suction filter

## Smith Power Pack

ITEM	NLP #	QTY	DESCRIPTION
18	408 520	1	Base plate
19	503 768	4	Vibration damper
20	408 561	1	Earth cable
21	306 552	1	Housing
22	408 587	4	Cable kit
23	204 161	1	Valve body
24	501 777	3	Male stud fitting
25	408 501	1	High pressure hose 1/4"
26	503 770	1	Relief valve
27	409 375	1	High pressure hose 1/4"
28	502 850	2	Banjo fitting
29	503 778	1	Isolator switch
A	306 185	1	Cover

## Main Circuit Board

ITEM	NLP #	QTY	DESCRIPTION
	504 137	1	Central control unit, 12V
30	503 227	4	Relay, 12V
31	504 160	1	Print card
	504 902	1	Print card with relays
32	504 162	2	Grommet
33	504 163	1	Grommet
34	504 164	2	Grommet
35	503 951	1	Fuse 10A
36	504 161	1	Fuse 1A

## Circuit Board for Auto Tilt

ITEM	NLP #	QTY	DESCRIPTION
	504 351	1	Central control unit, 12V
37	503 227	6	Relay 12V
38	504 510	1	Print card
39	504 162	4	Grommet
40	504 163	2	Grommet
41	504 164	4	Grommet

## On/Off Switch in Cab

ITEM	NLP #	QTY	DESCRIPTION
	407 609	1	On/Off Switch, Complete
42	503 334	1	Rocker switch
43	407 229	1	Plate, switch
44	503 335	1	Bulb



407 609



504 375



504 377



504 510



503 911



503 227



307 121

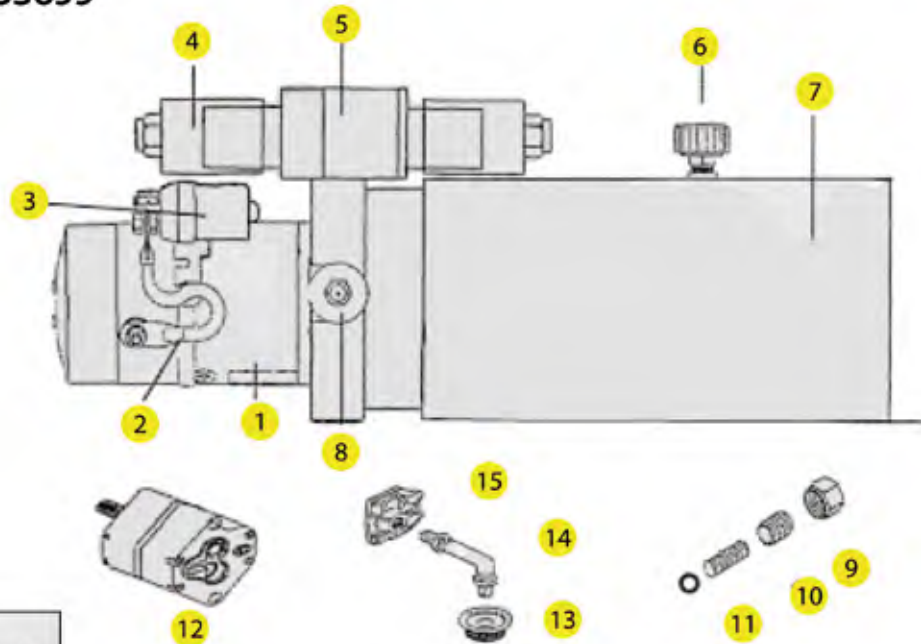


504 902

# LEYMAN

## New TLS P33899

After 1997



APP0503



AMT0100



APP2569

ITEM	LEYMAN #	NLP #	QTY	DESCRIPTION
1	P46340	AMT0100	1	12vdc HD Motor
2	P46580	APL9200	1	Terminal Strap
3	P33892A	LEY3050	1	Maintenance Minder Solenoid
4	P46358A	APL3599	2	Coil and Shaft with Diodes Solenoid Mounting Bracket
5	P33633		1	4-Way Valve with Diodes
6	P33667	APP3800	1	Breather Cap
7	P33651	APP3151	1	2.5 Gal. Reservoir
8	P33896		1	Drain Valve
9	P33664	AMF1225	1	Hex Cap
10	P33663	AMF1210	1	Adjustment Screw
11	P33662	AMF1201	1	Spring and Ball
12	P33652B	APP2569	1	Pump
13	P33745	APP2100	1	Filter
14	P30519	APP2125	1	Ell
15		APP2103	1	Filter Kit
	P33654	APP3300	1	O-Ring for Reservoir



APL3599



P46358A



## MOTORS

### 9-SPLINE

NLP NO.	MAXON
---------	-------



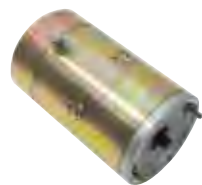
<b>AMT0090</b>	222423
OEM	226578
Single Post	



<b>AMT0097</b>	222423
Value Line	226578
Single Post	



<b>AMT0100</b>	226578
OEM	226579
9-Spline	
Heavy Duty	



<b>AMT0105</b>	226578
Value Line	226579
9-Spline	
Heavy Duty	

### TANG THERMAL

NLP NO.	MAXON
---------	-------



<b>BMT0029T</b>	280374
Thermal	229272-100
1-Post	268176-01
Tang	281810-01
CCW	39200467
	39200486



<b>BMT0030T</b>	280381
Thermal	290089
2-Post	
Tang	
Bi-Rotational	



<b>BMT0034T</b>	268011-01
Thermal	S204T
1-Post	
Tang	
Heavy Duty	
CCW	

### TANG

NLP NO.	MAXON
---------	-------



<b>AMT0077</b>	53500
Value Line	224912
Tang	
CW	



<b>BMT0022</b>	223740
OEM	
Tang	
CCW	



<b>BMT0027</b>	223740
Value Line	
Tang	
CCW	



<b>BMT0029</b>	223740
Value Line	229272
Tang	250093
CCW	39200388
	39200398
	39200443



<b>BMT0167</b>	229272
Value Line	250093
Tang	250093HD
CCW	39200398
Heavy Duty	

## We ARE Your Best Supplier

- ▶ The Products You Need
- ▶ Always Competitively Priced
- ▶ Always Reliable Quality



# MAXON

## VALVES

**NLP NO.      MAXON**



**AMF3330**      250072  
2-Way Valve  
1-Terminal Solenoid



**BMF3300**      223748  
2-Way Valve  
Solenoid & Block



**BMF3330**      223758  
2-Way Valve  
Solenoid, 2 Wire



**BMF3360**      442690  
4-Way Valve  
Solenoid, 1 Wire



**FMF3390**      260276  
4-Way Valve  
Solenoid, 1-Terminal



**FMF3391**      260276  
4-Way Valve  
Solenoid, 2-Terminal



**MAX1085**      253353  
2-Way Valve  
Solenoid, 2 Wire



**MAX1086**      226594  
O-Ring



**MAX2212**      290019  
3-Way Valve  
Solenoid, 2-Terminal



**MAX1135**      253942  
Locking D-Valve  
Solenoid and Block  
Manual Release



**MAX1145**      260451  
Locking D-Valve  
with Solenoid

## BOWTIE & LOCK PINS

**NLP NO.      MAXON**



**MMC3500**      227346



**MMC3501**      227407



**MMC2802**      202802



**MMC2789**      202789

## ROLLERS

**NLP NO.      MAXON**



**MMC9100**      202800  
Roller



**MMC9105**      202769  
Shaft  
Wide Collar



**MMC9106**  
Kit: 2 Rollers  
1 Shaft



**MMC9108**      202796  
Shaft  
Narrow Collar



**MMC9109**  
Kit: 2 Rollers  
1 Shaft












**MAX2041**      280055  
Tandem Assy  
for BMRA



**MAX1056**      253511-101  
Tandem Assy  
for BMR



## SWITCHES

NLP NO.	MAXON	NLP NO.	MAXON
	<b>NLM4346</b> 264346 <u>3-Wire Sealed Replacement</u> 267950-01		<b>APL3024</b> 265662 <u>Bakelite</u> 39002134 <u>4-Post Solenoid Curved Base</u>
	<b>NLM4951</b> 264951 <u>4-Wire Sealed Replacement</u> 264951-01 <u>Extended Cord</u> 264951-02 264951-04		<b>APL3094</b> 280394 <u>Positive</u> 268029-11 <u>Grounded</u> <u>3-Post Solenoid Curved Base</u>
	<b>APL2740</b> 226889 <u>SPDT</u> <u>Sealed Toggle</u> <u>3-Terminal</u>		<b>APL3096</b> 268030-01 <u>4-Post Solenoid</u> <u>Constant Duty</u>
	<b>APL2765</b> 224849 <u>DPDT</u> <u>Sealed Toggle</u> <u>6-Terminal</u>		<b>APL9653</b> 228754 <u>Master Disconnect</u> <u>SPST</u> <u>Off-On</u>
	<b>APL3020</b> 262939 <u>Bakelite</u> 263061 <u>3-Post Solenoid Curved Base</u>		

**CALL NLP TODAY**



**800.727.8543**  
**513.330.7700**

Experience immediate, friendly service from product experts

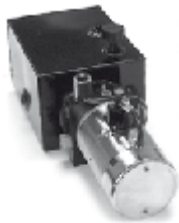
# MAXON

## POWER UNITS

**NLP NO.      MAXON**



**APP0250**      250100  
3 Quart  
Reservoir  
Power Up/  
Gravity Down



**APP0253**      229822  
2.5 Gallon      229824  
Reservoir      253171  
Power Up/  
Gravity Down



**MAX5000**      223513  
2.5 Gallon      253515  
Reservoir      262256  
Power Up/  
Power Down



**NLM0610**      280610  
Power Up/  
Gravity Down  
For 72 Series



**NLM8181**      268181-01  
Power Up/  
Power Down  
For 72 Series

**NLM3785**      263785  
Power Up/  
Gravity Down  
For BMRA

**NLM4191**      264191  
Power Up/  
Gravity Down  
For BMRA

## RESERVOIRS

**NLP NO.      MAXON**



**MAX0589**      267733-11  
8" Sq.  
3 Quart  
1 Hole



**MAX0262**      260262  
2.5 Gallon  
2 Holes



**MAX1095**      260263  
2.5 Gallon      261106  
2 Holes  
For MAX5000

## CONTROL BOXES

**NLP NO.      MAXON**



**MAX2229**      280253  
Control Box  
BMR-A  
Power Down

**MAX2230**      280252  
Control Box  
BMR-A  
Gravity Down

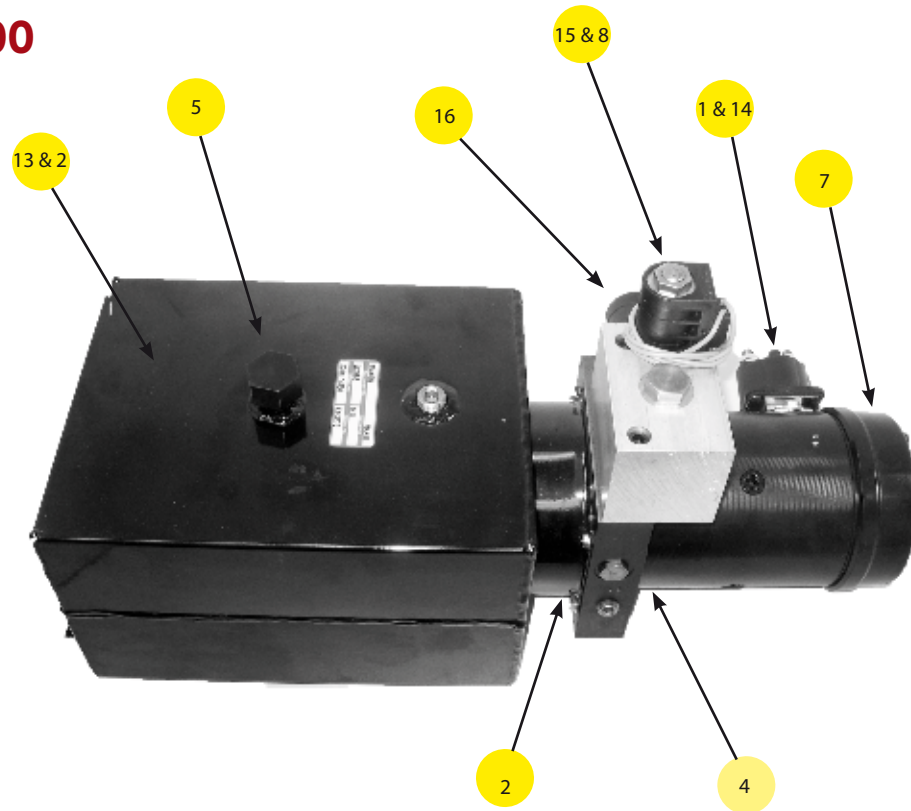


## FREE SHIPPING

on Liftgate Part Orders  
Over \$1000 in  
Continental US



## MAX5000



**APL3020**



**MAX1085**



**BMT0167**

ITEM	PART NUMBER	NLP NUMBER	QTY	DESCRIPTION
1	262966	MAX2210	1	Bus Bar
2	229202	MAX1105	4	Capscrew, Hex HD Washer
3	229200	FPP1000	1	Coupling (Not Shown)
4	260274	MAX1100	1	Driveplate Assembly, 5"
5	260847	APP3800	1	Filler/Breather Cap
6	260250	FPP2100	1	Filter (Not Shown)
7	250093 250093HD 39200398	BMT0029 BMT0167 BMT0167	1	Heavy Duty Motor, 12 Volt DC
8	260275	MAX1087	1	Manifold Block Assembly
9	251884	FPP3301	1	O-ring (Not Shown)
10	260261	FPP1111	1	Oil Seal (Not Shown)
11	260236	MAX1098	1	Pump Assembly (Not Shown)
12	260229	MAX1088	1	Relief Valve Kit (Not Shown)
13	261106	MAX1095	1	Reservoir, 2.5 Gal w/.75 Breather
14	262939	APL3020	1	Solenoid Switch
15	253353	MAX1085	1	Valve, Solenoid 2-Way
16	260276	FMF3391	1	Valve, Solenoid 4-Way

**SAME DAY SHIPPING**  
on in-stock orders, placed by 3:00pm EST

# MAXON

## NLM0610 GRAVITY DOWN



MAX1085



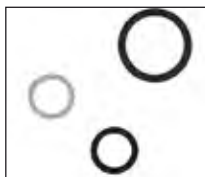
APL3094



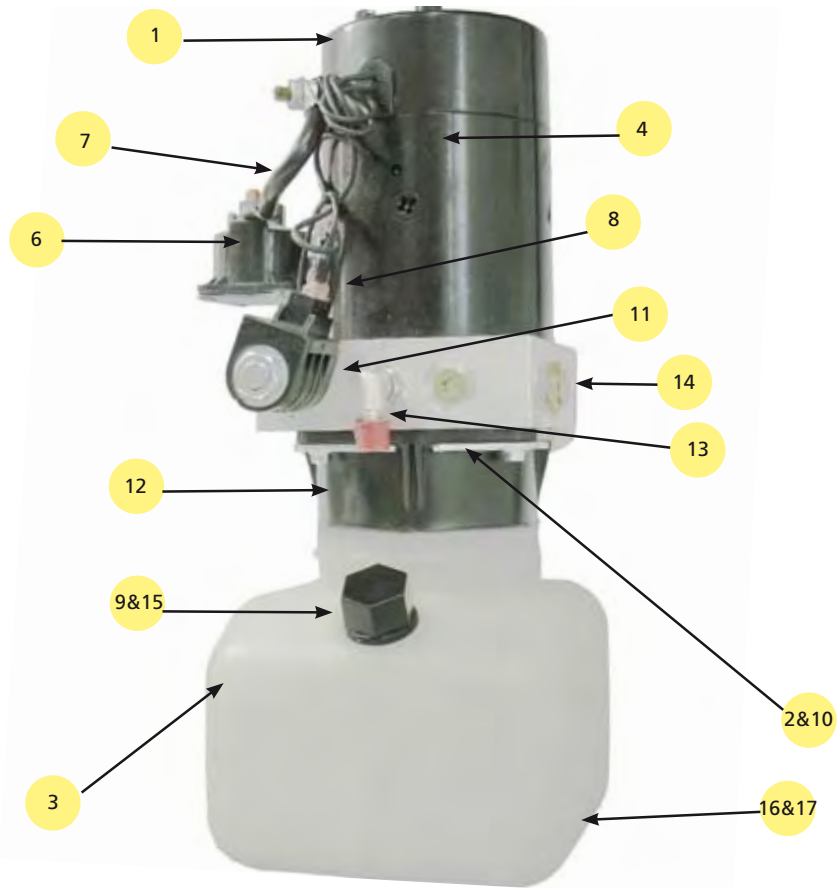
MMC1204



MAX0589

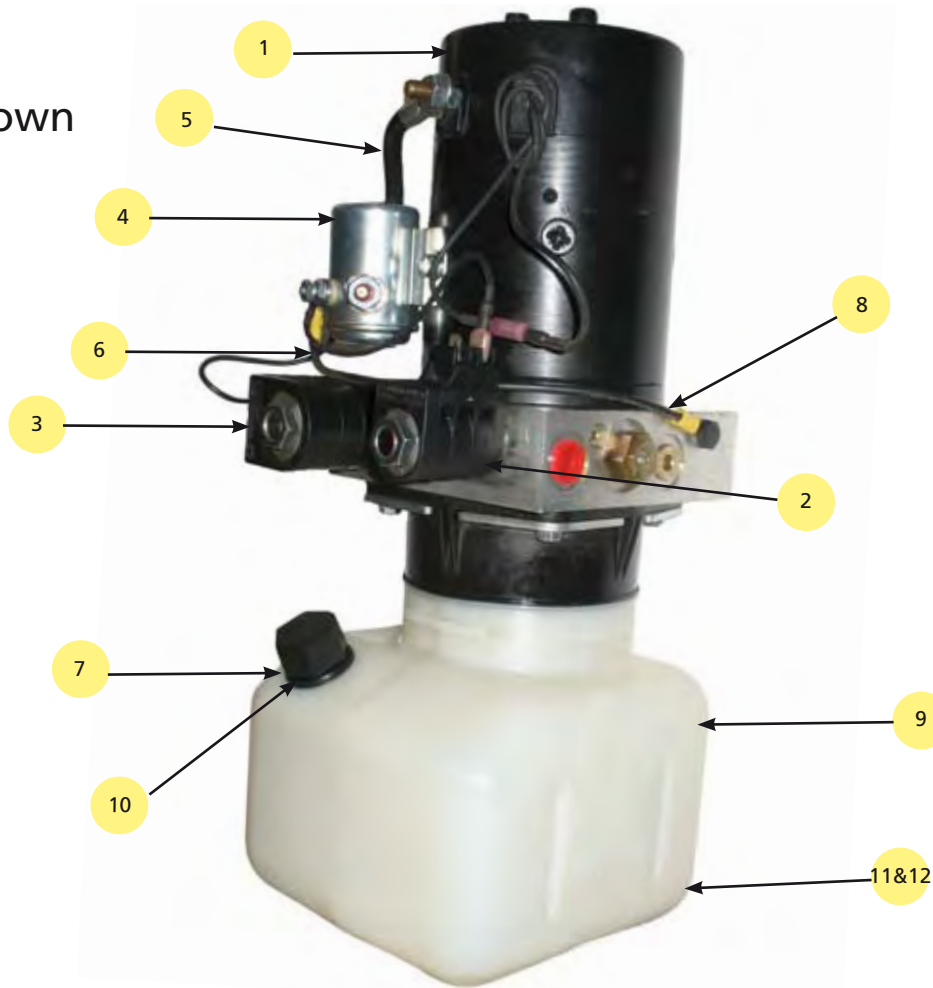


MAX1086



ITEM	OEM	NLP OEM	NLP	DESCRIPTION
Ref	280610		NLM0610	12 VDC Power Unit Gravity Down
1	229272-100 280374		BMT0029T	Motor, 12 Volt DC
2	226594	MAX1086		Oil Seal Kit
3	267733-11	MAX0589		Reservoir, 3 QT Vertical with Vent
4	268024-01	MMC1212		Wire Assembly, 16GA White, 3" LG
5	268027-01	MMC1202		Wire Assembly, 18 GA
6	268029-01		APL3094	Solenoid Switch
7	280404		APL9200	Terminal Strap
8	280416	MMC1207		Wire Assembly
9	280806-01	MMC1204		Filler Cap
10	290020	FPP3300		O-ring
11	290043	MAX1085		Valve Assembly, 2-Way
12	290065	MMC1200		3-Piece Gear Pump
13	905152	MMC1203		Elbow, 90°, O-ring
14	906737-01	MMC1210		Cartridge Relief Valve
15	908016-01	MMC1211		Grommet, 3/4" I.D.
16	908017-01	MMC1206		Drain Plug
17	908018-01	MMC1209		Grommet, 5/16" I.D.

## NLM8181 Power Down

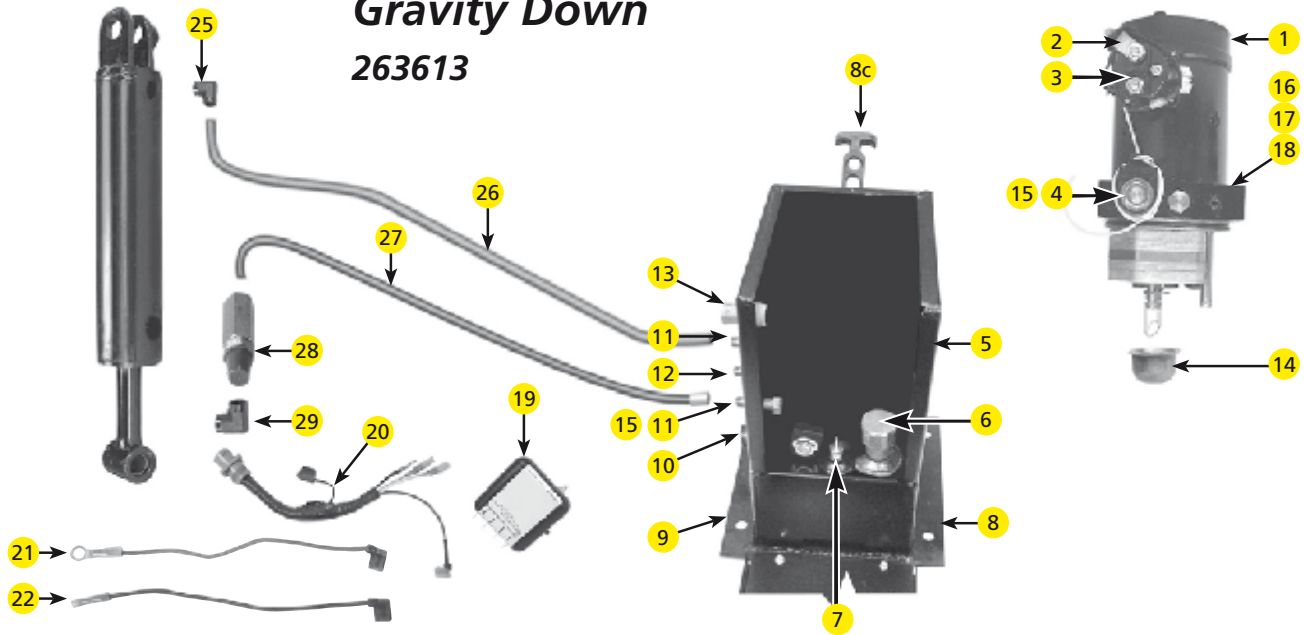


ITEM	OEM	NLP OEM	NLP	DESCRIPTION
Ref	268181-01		NLM8181	12 VDC Power Unit - Power Down
1	268176-01		BMT0029T	Motor, 12 VDC
2	906821-01	MAX6821-01		2P2W Valve & Coil Assembly, 4 Way, Double Spade
2a	906822-01	MMC3345-1		2P2W, Replacement for MAX1085
2b	290045	MMC3345-2		Coil, Double Spade, 2 Way
3	290046	FMF3391		Valve Assembly, 4 Way, Double Spade
3a	290047	FMF3398		Valve Cartridge, 4 Way
3b	290048	FMF3396		Coil, Double Spade, 3 or 4 Way
4	268029-01		APL3014	Solenoid Switch
5	280404		APL9200	Terminal Strap
6	280416			Wire Assembly
7	280806-01	MMC1204		Filler Cap
8	268079-01			Wire Assembly, 18 GA, #10 Ring - 5/16 Ring
9	267733-01	MAX0589		Reservoir, 3 QT, Vertical w/ Vent
10	908016-01	MMC1211		Grommet, 3/4" I.D.
11	908017-01	MMC1206		Drain Plug
12	908018-01	MMC1209		Grommet, 5/16" I.D.



# MAXON

## Gravity Down 263613



### PUMP ASSEMBLY, GRAVITY DOWN #263613 MMC1050

ITEM	MAXON #	NLP #	QTY	DESCRIPTION
1	263612	MMC1000	1	Slim-style Pump Assembly 12 VDC
2	262966	MAX2210	1	Buss Bar
3	262939	APL3020	1	Motor Solenoid
4	253353	MAX1085	1	Valve, Solenoid, 2 Way
4a	226594	MAX1086	1	O-Ring Kit, 2-Way Valve
5	263779	MMC1005	1	Plug
6	263369	MMC1006	1	Breather Cap
7	263811	MMC1007	1	Connector, 3/8"
8	263500	MMC1008	1	Box Assembly
8a	263497	MMC1009	1	Cover
8b	263499	MMC1010	1	Box Weldment
8c	263791	MMC1011	1	Latch
9	030937	MMC1012	1	Hex Plug, 1/4"
10	263370	MMC1013	1	Flow Sight Gauge
11	263814	MMC1014	2	Grommet, 1" Dia
12	263795	MMC1015	1	Grommet, 1/2" Dia
13	263798	MMC1016	1	Pump Box Harness, Std
13a	263802	MMC1017	1	Gasket
14	260250	MMC1018	1	Filter
15	905100	MMC1019	1	Bulkhead, Male, JIC #6
16	030556	MMC1022	2	Washer, Flat, 3/8"
17	030039	MMC1020	2	Bolt, 3/8-16 x 1-3/4" LG
18	030555	MMC1021	2	Washer, Lock, 3/8"
19	905291	MMC1023	1	Low Voltage/ Thermal Switch
20	264548	MMC1024	1	Wire Harness, LV
21	264546	MMC1025	1	Wire Assembly
22	264755	MMC1026	1	Extension Wire Assembly
23	229272	BMT0029	1	Motor Only, 12-V, CCW
24	229272-100	BMT0029T	1	Motor Only, 12-V, CCW w/thermal switch



**BMT0029**



**BMT0029T**



**APL3020**



**MAX1085**



**MMC1009**



**MMC1011**



**MMC1030**

### HYDRAULIC ASSEMBLY, SLIM-STYLE PUMP

ITEM	MAXON #	NLP #	QTY	DESCRIPTION
25	905237	MMC1112	1	Elbow Brass
26	905239-01	MMC1113	1	Plastic Hose
27	263714-01	MMC1029	1	Pressure Hose
28	251739	MMC1030	1	Press. Cntrl. Valve
29	227004	MMC1032	1	Elbow Brass

# MAXON

## 72 SERIES

**NLP NO. MAXON**



**NLM6401-02** 266401-01  
Cylinder 266401-02



**NLM1640** 201640  
Torsion Spring



**NLM5341** 215341  
Safety Hook Weldment



**NLM1867** 221867  
3/4" Rollers

## 72 SERIES KITS

**NLP NO.**



**NLM6401-GD**  
Cylinder Replacement Kit Gravity Down



**NLM6401-PD**  
Cylinder Replacement Kit Power Down



**NLM1001**  
Pin and Bushing Kit



**NLM1002**  
Hook Assembly

## BMRA SERIES

**NLP NO. MAXON**



**NLM3200**  
1.75" Diameter x 57.5" Stroke  
Replaces 263200-01, For BMRA-35/44



**NLM3315**  
2" Diameter x 57.5" Stroke  
Replaces 253315-01, For BMRA-55/66

**NLM6301**  
1.75" Diameter x 53.125" Stroke  
Replaces 280663-01, For BMRA-35/44



**NLM6302**  
2" Diameter x 53.125" Stroke  
Replaces 280663-02, For BMRA-55/66

**NLM4103**  
Closing Cylinder  
Replaces 264103  
All Models

**CALL NLP TODAY**

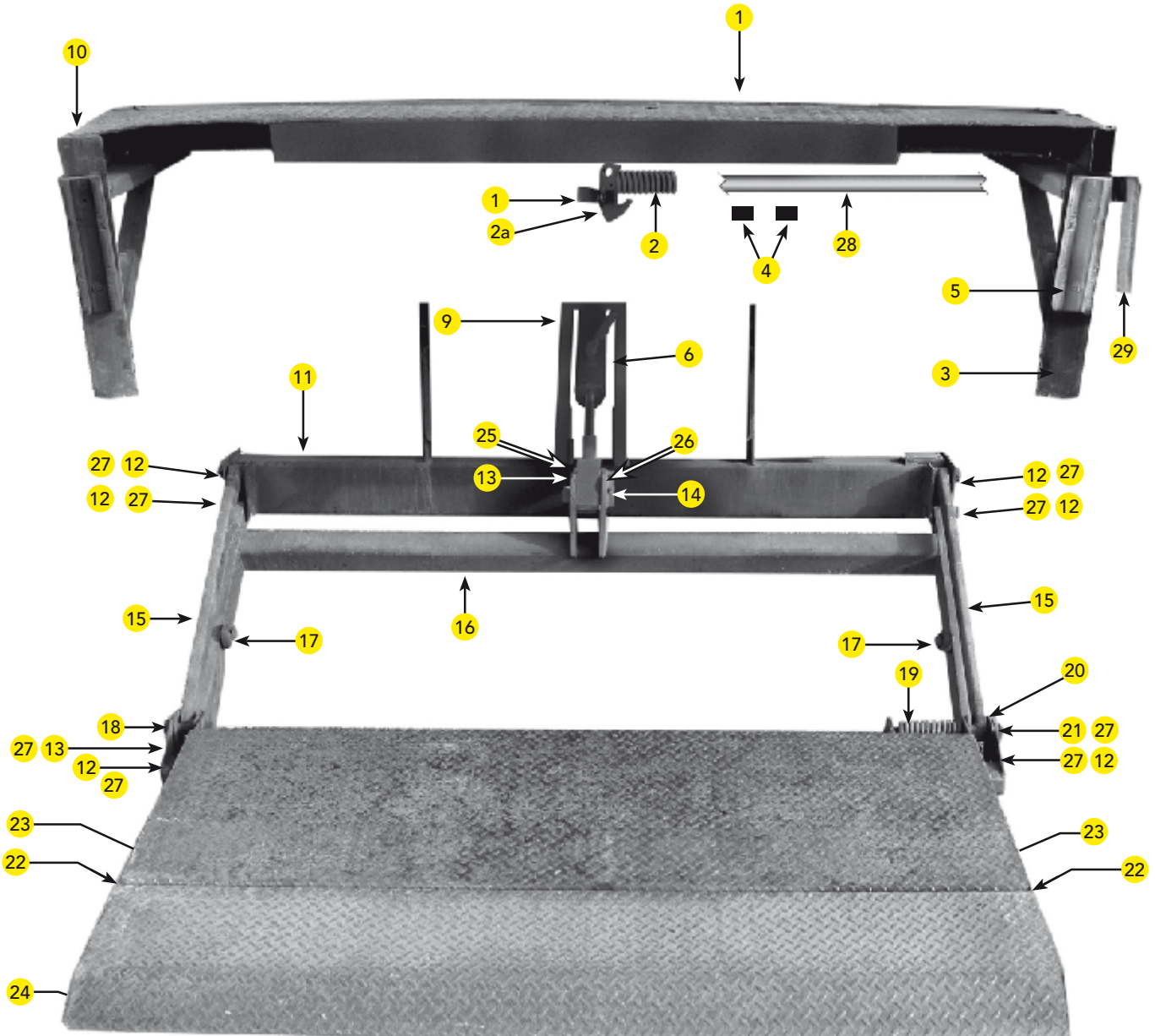


**800.727.8543**  
**513.330.7700**

Experience immediate, friendly service from product experts

# MAXON

## MAXON ASSEMBLY 7225/30LMV





ITEM	MAXON #	NLP OEM #	NLP #	QTY	DESCRIPTION
1	207914-100 262999	MMC1041		1	Extension Plate Weldment
1a	215341	MMC1042	NLM5341	1	Safety Hook Weldment
2	215345	MMC1043	NLM5345	1	Spring, 7/64" X 2-1/2"
2a	215342		NLM5342	1	Spring Lever, 2-1/2"
3	201638	MMC1044		2	Dock Bumper
4	201015		NLM1015	2	Flat Metal, 1/4" x 1/2" x 1"
5	222988		MMC1046	2	Rubber Bumper
6	266401-01 260372	MAX6401-01 MMC1051		1	Cylinder, 3" x 10" (7225) Cylinder, 3" x 10"
6a	266401-02 260392	MAX6401-02 MMC1052	NLM6401-02	1	Cylinder, 3-1/2" x 10" (7230) Cylinder, 3-1/2" x 10"
7	225642-SK	MMC1053		1	Seal Kit (7225)
7a	260392-SK	MMC1054		1	Seal Kit (7230)
8	201695	MMC1055		1	Breather, Cylinder
9	203405-09	MMC1056	NLM3405-09	1	Pin, 1" x 4" - Cylinder Pin
10	203411	MMC1057		1	Street Side Cntl Rod Assembly
11	260436	MMC1059		1	Main Frame Assembly
12	260368-03	MMC1060	NLM0368-03	6	Pin 1" x 3-1/2"
13	260368-04	MMC1061	NLM0368-04	2	Pin 1" x 4-1/2"
14	260368-05	MMC1062	NLM0368-05	1	Pin 1" x 5" - Cylinder Pin
15	260370	MMC1063		2	Parallel Arm Assembly
16	260315	MMC1064		1	Lift Frame Assembly
17	221867	MMC1065	NLM1867	2	Roller, 3/4"
18	280347-01	MMC1066	NLM0347-01	1	Shackle Weldment LH
19	201640	MMC1067	NLM1640	1	Torsion Spring
20	280347-02	MMC1068	NLM0347-02	1	Shackle Weldment RH
21	260368-02	MMC1069	NLM0368-02	1	Pin 1" x 11"
22	203405-05	MMC1070	NLM3405-05	2	Pin, 1" x 3-1/4"
23	280369	MMC1071		1	Platform Assembly
24	201629	MMC1072		1	Flipover Assembly Ramp Type (STD)
24a	201680	MMC1073			Flipover Assembly Butt End Type
24b	213085	MMC1074			Flipover Assembly Wedge Type
24c	253874-01	MMC1075			Flipover Assembly W/10" A.R.R.
25	260369	MMC1076	NLM0369	1	Bushing Self-Lubricating 1-1/8 x 2"
26	260373	MMC1077		1	Bushing, 1" x 2"
27	260363	MMC1078	NLM0363	8	Bushing, 1" x 1-1/2"
28	201606	MMC1098	NLM1606	1	Handle
29	055011		NLM5011	1	Rubber Handgrip
	221416	MAX1005	NLM1416	13	3/8" x 2" Roll Pins

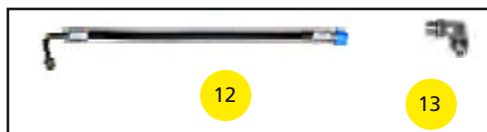
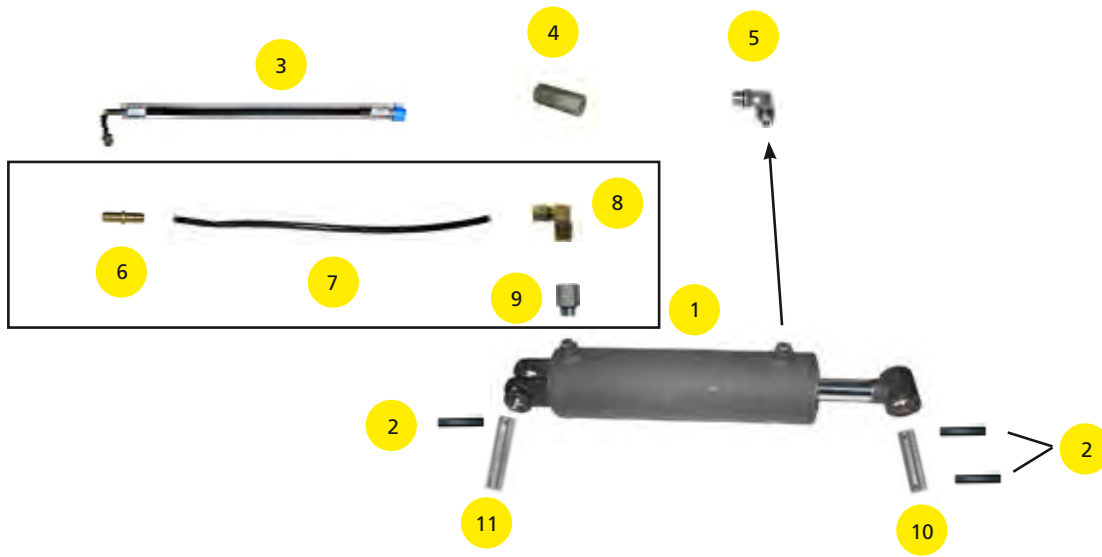
### NLM1001 Pin and Bushing Kit

Item	NLP#	QTY	Item	NLP#	QTY
27	NLM0363	8	14	NLM0368-05	1
18	NLM0347-01	1	25	NLM0369	1
20	NLM0347-02	1		NLM1416	13
21	NLM0368-02	1	19	NLM1640	1
12	NLM0368-03	7	17	NLM1867	2
13	NLM0368-04	2			

### NLM1002 Hook Assembly Kit

Item	NLP #	QTY
1a	NLM5341	1
2	NLM5345	1
2a	NLM5342	1
4	NLM1015	2
28	NLM1606	1
29	NLM5011	1

# MAXON



This box represents the difference from the Gravity Down to Power Down. This is the Power Down Setup.

## NLM6401-PD CYLINDER KIT (POWER DOWN) NLM6401-GD CYLINDER KIT (GRAVITY DOWN)

ITEM	OEM	NLP OEM	NLP	QTY	DESCRIPTION
1	266401-01	MAX6401-01		1	Cylinder, 3" X 10" Stroke
1a	266401-02	MAX6401-02	NLM6401-02	1	Cylinder, 3-1/2" X 10" Stroke w/ Bearing
2	221416	MAX1005	NLM1416	3	3/8" X 2" Roll Pins
3	280635-01		NLM0635-01	1	54" Hose Assembly
4	906709-02	MAX6709-02	NLM6709-02	1	Flow Regulator Valve
5	906722-01		NLM6722-01	1	90° Elbow
6*	906728-01		NLM6728-01	1	Dual Barb Fitting
7*	224370-07		NLM4370-07	1	60-1/2" Plastic Tubing
8*	202406		NLM2406	1	1/4" Elbow
9*	228012		NLM8012	1	9/16" Adapter
10	203405-09	MMC1056	NLM3405-09	1	Cylinder Pin, 4"
11	260368-05	MMC1062	NLM0368-05	1	Cylinder Pin, 1" X 5"
12**	280634-01		NLM0634-01	1	50" Hose W/ Fittings
13**	905152		NLM5152	1	90° Elbow W/ O-Ring

\*denotes gravity down components  
\*\* denotes power down components

# THIEMAN

## SWITCH ASSEMBLIES

**NLP NO. THIEMAN**



**NLT1445** 31445  
 4-Wire  
 Sealed  
 9" Leads

**NLT1446** 31446  
 3-Wire  
 Sealed  
 9" Leads



**NLT1447** 31447  
 3-Wire  
 Sealed  
 Side Discharge

## VALVES

**NLP NO. THIEMAN**



**BMF3330** 4445  
 2-Way 4422270  
 2 Wire 4423680



**FMF7132** 4423690  
 Valve/Coil  
 with Screens



**BHL3012** 4421302  
 Manual  
 Power Down  
 Condenser with Valve

## VENT CAPS

**NLP NO. THIEMAN**



**BPP3800** 4420410  
 Vent Cap  
 NPT .75"



**BPP3805** 4420409  
 Vent Cap  
 NPT .375"

## SWITCHES

**NLP NO. THIEMAN**



**APL2765** 4301550  
 DPDT 4301740  
 Sealed Toggle  
 6-Terminal



**APL2250** 4420750  
 Push Button  
 Start Switch  
 Dimmer Style



**BPL2254** 4322  
 Condenser  
 Valve  
 Start Switch



**BPL2250** 4422980  
 Screw-Type  
 Canister  
 Switch



**BPL2713** 4422720  
 Push Button  
 2-Terminal



**BPL2720** 4422730  
 Push Button  
 3-Terminal



**APL3014** 4447  
 Start Solenoid 4421620  
 Curved Base 4422710  
 4-Post



**BPL3192** 4423550  
 Condenser Kit



# THIEMAN

## MOTORS

### TANG

**NLP NO. THIEMAN**



**BMT0021** 4422590  
Heavy Duty  
OEM  
CCW

**BMT0022** 4423520  
OEM  
CCW

**BMT0027** 4423520  
Value Line  
CCW



**BMT0127** 4423520  
Value Line 4422590  
CCW 4423521  
Heavy Duty

**BMT0320** 4423720  
OEM  
12-Volt  
CCW

## POWER UP/GRAVITY DOWN

**BPP0113-1** for Thieman 4400421

MODEL	TYPE	MOTOR	ALT. MOTOR	RESERVOIR	SOLENOID	VALVE ASSY.
TT12	Toplifter	BMT0022	BMT0027	BPP3914		

**BPP0019** for Thieman 4400351

MODEL	TYPE	MOTOR	ALT. MOTOR	RESERVOIR	SOLENOID	VALVE ASSY.
TWL, WT	Conventional	BMT0022	BMT0027	BPP3140	APL3014	AMF3330
LST	Stowaway	BMT0022	BMT0027	BPP3140	APL3014	AMF3330

**BPP0019-6\*** for Thieman 4400871

MODEL	TYPE	MOTOR	ALT. MOTOR	RESERVOIR	SOLENOID	VALVE ASSY.
TT15/16	Toplifter	BMT0022	BMT0027	BPP4913	APL3014	BMF3330

*\*requires elbow with O-Ring thread*

**BPP0104** for Thieman 4400091 Manual Control

MODEL	TYPE	MOTOR	ALT. MOTOR	RESERVOIR	SOLENOID	VALVE ASSY.
LST20/25/30	Stowaway	BMT0022	BMT0027	BPP3140		BMF4180

**BPP0059** for Thieman 4400841

MODEL	TYPE	MOTOR	ALT. MOTOR	RESERVOIR	SOLENOID	VALVE ASSY.
TVL125/16	Railgate	BMT0320		BPP4920	APL3014	BMF3330

**BPP0036** for Thieman 4400851

MODEL	TYPE	MOTOR	ALT. MOTOR	RESERVOIR	SOLENOID	VALVE ASSY.
TVL20	Railgate	BMT0022	BMT0027	BPP3915	APL3014	BMF3330

**BPP0035** for Thieman 4400701

MODEL	TYPE	MOTOR	ALT. MOTOR	RESERVOIR	SOLENOID	VALVE ASSY.
TVL30	Railgate	BMT0022	BMT0027	BPP3920	APL3014	BMF3330

**BPP0037** for Thieman 4400901

MODEL	TYPE	MOTOR	ALT. MOTOR	RESERVOIR	SOLENOID	VALVE ASSY.
VL	Railgate	BMT0021	BMT0127	BPP3945	APL3014	BMF3330



## POWER UP/POWER DOWN



### BPP0042-3 for Thieman 4404

MODEL	TYPE	MOTOR	ALT. MOTOR	RESERVOIR	SOLENOID	VALVE ASSY.
M , LRST ST22/31/40	Stowaway	BMT0021	BMT0127		APL3014	(lower) BMF3330 (raise) BMF3360
SL	Sideloader	BMT0021	BMT0127	APL3014	BMF3330	BMF3360



### BPP0042 for Thieman 4400911

MODEL	TYPE	MOTOR	ALT. MOTOR	RESERVOIR	SOLENOID	VALVE ASSY.
ST/20/25/30	Stowaway	BMT0022	BMT0027	BPP3950	APL3014	(lower) BMF3330 (raise) BMF3360



### BPP0110 for Thieman 4400241 Manual Control

MODEL	TYPE	MOTOR	ALT. MOTOR	RESERVOIR	SOLENOID	VALVE ASSY.
L ST20/25/30	Stowaway	BMT0022	BMT0027	BPP4913	APL3014	(lower) BHL3012 (raise) BHL3014



## VISIT NATIONALLIFTGATE.COM



- ▶ Get more detailed information on these and more Quality Liftgate Replacement Parts
- ▶ See Photos, Illustrations and Diagrams
- ▶ Learn more about our complete line of Snowplow Replacement Parts, and Wire & Battery
- ▶ Download our Online Catalogs, complete with Search Capabilities

**FREE SHIPPING**  
on Liftgate Part Orders  
Over \$1000 in Continental US









# TOMMY GATE











## MOTORS

NLP NO.	TOMMY
 <b>BMT0022</b>	958
OEM	42-4320
CCW	
 <b>BMT0027</b>	42 Monarch
Value Line	958
CCW	42-4320

## GD POWER UNITS & RESERVOIRS

NLP NO.	TOMMY
 <b>BPP0113</b>	8" L, 2 Quart Poly Reservoir Manual Pump & Motor
 <b>BPP0113-4</b>	8" L, 2 Quart Metal Tank Manual Pump & Motor
 <b>BPP0113-8</b>	8" L, 2 Quart Poly Reservoir Electric
 <b>BPP0019-7</b>	968
8" L, 2 Quart	18-4362
Poly Reservoir	
Electric Push Button	
 <b>BPP3136</b>	4.5" x 8" 4354
2 Quart	
2 Holes	
 <b>BPP3905</b>	4.5" x 8"
2 Quart	
2 Holes	

## MISCELLANEOUS

NLP NO.	TOMMY
 <b>APP3800</b>	T3-200002-00
Vent Cap	
NPT .75"	
 <b>BPP3800</b>	Vent Cap
NPT .75"	
 <b>BPP3805</b>	Vent Cap
NPT .375"	
 <b>TOM0987</b>	987
4-Wire OE	
Raise/Lower Switch	
 <b>APL3000</b>	967
Flat Base	
Heavy Coil & Spring	
 <b>APL2250</b>	40-1036
Push Button	
Start Switch	
Dimmer Style	
 <b>APL3010</b>	Curved Base
Heavy Coil & Spring	
 <b>APL3020</b>	Curved Base
Black Bakelite	
 <b>MCB8500</b>	6-4617
22" L x 7/32"	2939
 <b>MCB8506</b>	6-4624
22" L x 5/16"	3124



# TOMMY GATE

## 42 MONARCH



**BPP0113-4**



**BMT0027**



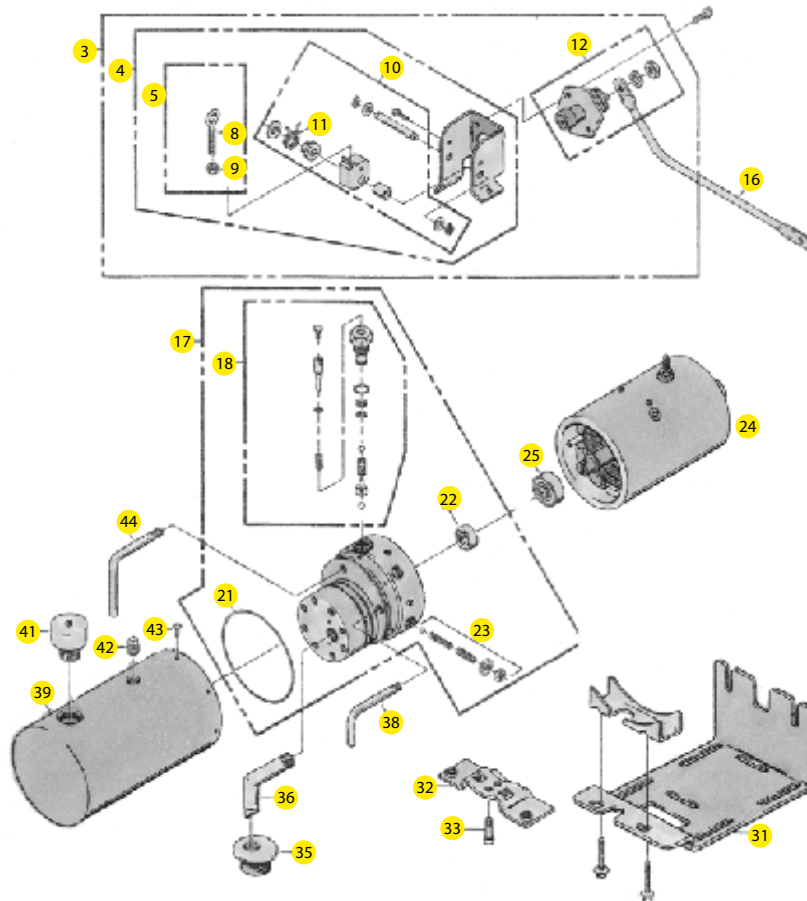
**BPL2295**



**APL2250**



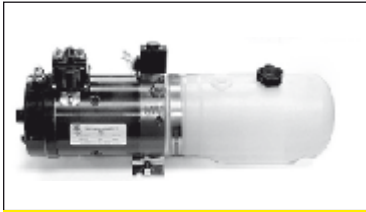
**BPP3800**



ITEM	NLP #	QTY	DESCRIPTION
3	BPL2295	1	Start Bracket Assembly
4	BPL2297	1	Bracket without Switch
5	BHL3103	1	Handle with Eye
10	BPL2298	1	Cam Assembly
11	BPL2299	1	Spring
12	APL2250	1	Start Switch
16	APL9200	1	Terminal Strap
17	BMF0600	1	Pump Assembly
18	BMF4130	1	Release Valve
21	BPP3300	1	O-Ring
22	BPP1088	1	Seal
23	BMF1200	1	Relief Valve
24	BMT0022	1	Motor - Mfg. in USA by Prestolite
24	BMT0027	1	Motor - Most Affordably Priced
25	BPP1085	1	Bearing
29	BMF9150	1	Base Adapter
30	BMF9165	2	Screws
31	BMF9060	1	Bracket
32	BMF9059	1	Base
33	BMF9058	2	Screws
35	BPP2100	1	Filter
36	BPP2128	1	Elbow
38	BPP2101	1	Return Tube
39	BPP3905	1	Reservoir, Metal
39	BPP3136	1	Reservoir, Poly 8"
41	BPP3800	1	Breather
41	BPP3805	1	Breather for Poly
42	BMF1226	1	Plug
43	BPP3092	6	Screws
44	BPP2129	1	Return Tube

# TOMMY GATE

## SOLENOID OPERATED



**BPP0019-7**  
TOMMY 18-4362

*Electric Power Unit,  
Gravity Down,  
Push Button Operation*



**BMF3330**



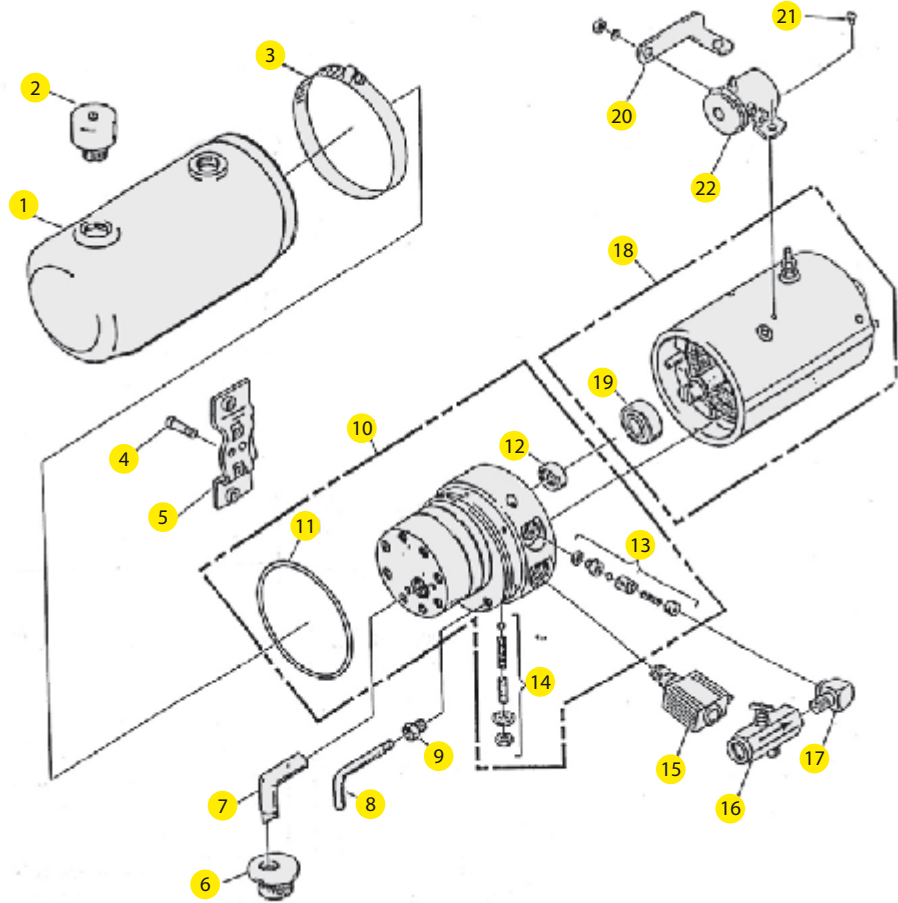
**BMT0027**



**BMT0022**



**APL3020**



ITEM	NLP #	QTY	DESCRIPTION
1	BPP3136	1	Reservoir, Plastic
2	BPP3805	1	Breather for Plastic
3	APL9300	1	Clamp
	APL9301		Strap with Bolts
4	BMF9167	2	Screw
5	BMF9067	1	Bracket
6	BPP2100	1	Screen
7	BPP2128	1	Tube
8	BPP2129	1	Tube
9	BMF2131	1	Bushing
10	BMF0042	1	Pump Assembly (Includes Items 11-14)
11	BPP3300	1	O-Ring
12	BPP1088	1	Seal
13	BMF4105	1	Valve Assembly
14	BMF4220	1	Relief Valve Assembly
15	BMF3330	1	Valve
18	Your Choice: BMT0022 BMT0027	1	Motor Kit (Includes Item 19) Manufactured in U.S.A. by Prestolite Most Affordably Priced
19	BPP1085	1	Bearing
20	APL9200	1	Strap
21	BMF9170	2	Screw
22	APL3010 APL3020	1	Solenoid Use On Thermal-Pack Type Products

## MOTORS

### 9-SPLINE

	NLP NO.	WALTCO
	<b>AMT0090</b> OEM 9-Spline	70392900
	<b>AMT0097</b> Value Line 9-Spline	70392900
	<b>AMT0100</b> OEM 9-Spline Heavy Duty	70391100 70392800
	<b>AMT0105</b> Value Line 9-Spline Heavy Duty	70391100 70392800

### TANG THERMAL

	NLP NO.	WALTCO
	<b>BMT0032T</b> Single Post Tang CCW	7043001-01
	<b>BMT0035T</b> Single Post Tang HD CCW	70469430
	<b>BMT0133THD</b> Dual Post Tang CCW	7043002-01

### TANG

	NLP NO.	WALTCO
	<b>BMT0022</b> OEM Tang CCW	70091739 70092312 70092359
	<b>BMT0027</b> Value Line Tang CCW	70091739 70092312 70092359
	<b>BMT0021</b> OEM Tang CCW Heavy Duty	70092313 70092514
	<b>BMT0127</b> Value Line Tang CCW Heavy Duty	70091739 70092514
	<b>AMT0301</b> 12-Volt 3" Motor 1/4" Slot CCW	70092401
	<b>500828</b> Single Post	75098340
	<b>500828-2</b> Dual Post	



# WALTCO

## SWITCHES

**NLP NO.**      **WALTCO**



**APL2740**      75089808  
SPDT  
Sealed Toggle  
3-Terminal

**WPL2745**      80000425  
3-Wire OE  
Raise/Lower Switch



**WPM2449**      80000844  
3-Wire OE  
Open/Close Switch



**BPL2770**      75089798  
Remote Control  
Single or  
Double Pole



**BPL2772**      75089800  
Remote Control  
16/3 Cord  
& Plug



**BPL2773**      75089799  
Remote Control  
16/3 Retractable  
Cord



**BPL2870**      75089799  
Remote Control  
Weatherproof



**BPL2250**      70092304  
Screw-Type  
Canister  
Switch



**APL2252**      80000692  
Jam-Type  
Canister  
Switch

## SOLENOIDS

**NLP NO.**      **WALTCO**



**APL3010**      70091714  
Curved  
Base  
Heavy Coil  
& Spring



**APL3020**      75089831  
Bakelite  
3-Post  
Solenoid  
Curved Base



**APL3024**      75089833  
Bakelite  
4-Post  
Solenoid  
Curved Base



**APL3094**      70092507  
Positive  
Grounded  
3-Post  
Solenoid  
Curved Base



**APL3096**  
4-Post  
Solenoid  
Constant  
Duty



**P34016**  
4-Post  
Solenoid  
Trombetta

fax 513.330.7707  
 local 513.330.7700



# WALTCO

## RESERVOIRS

**NLP NO. WALTCO**



**WAL2512** 70092512  
8' x 8" x 8"  
2 Gallon  
3 Holes

**WPM1350** 70400027  
1 Hole

**WPM1398** 70401456  
1 Hole



## POWER UNITS

**NLP NO. WALTCO**



**BPP0019-6** 70400000  
 13" L, 3 Qt. 70400850  
Poly Reservoir  
Push Button  
Power Up/  
Gravity Down  
Top Discharge,  
Bottom Mounting



**BPP0019-5** 70400000  
 13" L, 3 Qt. 70400700  
Poly Reservoir  
Side Discharge,  
Side Mounting



**WPU0320** 70430320  
Power Up/  
Gravity Down  
For F20



**WPU0430** 70430430  
Power Up/  
Power Down  
For F20



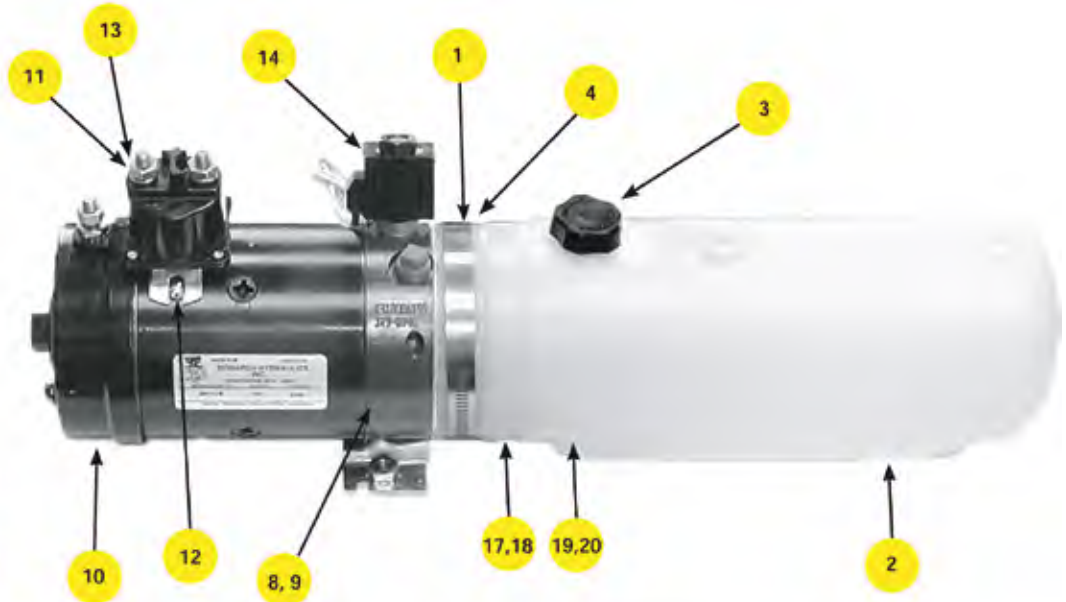
## VISIT NATIONALLIFTGATE.COM

- ▶ Get more detailed information on these and more Quality Liftgate Replacement Parts
- ▶ See Photos, Illustrations and Diagrams
- ▶ Learn more about our complete line of Snowplow Replacement Parts, and Wire & Battery
- ▶ Download our Online Catalogs, complete with Search Capabilities

# WALTCO

## BPP0019-5 & BPP0019-6

**SOLENOID  
OPERATED  
70400000  
70400850**



**WPM1323**



**BMT0027**



**WPM1330**



**APL3010**



**BPP2560**

ITEM	PART NUMBER	NLP NUMBER	QTY	DESCRIPTION
1	70400002	APL9300	1	Clamp
2	70400001 70400853	BPP4913 BPP3156	1	Reservoir, Plastic, 4-1/2" X 13" Reservoir, 2-1/2 Gallon
3	70400004	BPP3805	1	Breather for Plastic Reservoir
4	70091717	BPP3300	1	O-Ring
5	70092357	BMF9167	2	Screw
6	70400008	BMF9067	1	Bracket
7		BPP2561	1	Pump Assembly
8	70400006	BPP1088	1	Seal
9		BPP1085	1	Bearing
10		Your Choice: BMT0022 or BMT0027	1	Motor Manufactured by Prestolite/Ametek Most Affordably Priced
11	75089822 75089831	APL3010 APL3020	1	Solenoid Use On Thermal-Pack Type Products
12	70091712	BMF9170	2	Screw
13	70091713	APL9400	1	Strap
14	70400003	WPM1323	1	Valve
15	70189860	WHL2860	1	Flow Control
16	75082611	WHL2900	1	Elbow
17	70092504	BMF2131	1	Bushing
18	70091732	BPP2129	1	Tube, Return
19	70091730	BPP2100	1	Screen
20	70091731	BPP2128	1	Tube, Elbow for Screen



# WALTCO

## VALVES

**NLP NO. WALTCO**

**AMF3330** 70400003  
2-Way Valve  
1-Terminal Solenoid



**AMF3331**  
2-Way Valve  
2-Terminal Solenoid



**BMF3330** 70092418  
2-Way  
2 Wire



**BMF3360** 70400033  
4-Way  
1 Wire



**WPM1323** 70400003  
2-Way Valve with Solenoid  
1-Terminal



**WPM1403** 70401476  
2-Way  
2 Position



**WPM1404** 70401477  
4-Way  
2 Position



**WPM2506** 70092501  
3-Way  
2 Position



**WPM2507** 70092517  
2-Way  
Manual Override



**WPM2508** 70092503  
2-Way



## F20 SERIES

**NLP NO. WALTCO**

**NLW0010** 20280010  
Cylinder



## F20 SERIES KITS

**NLP NO. WALTCO**

**NLW7010** 20295401  
Cylinder Replacement Kit



**NLW7001** 80000736  
Pin Replacement Kit



**NLW7002** 80000735  
Bearing Replacement Kit



**NLW0422** 80000422  
Spring Replacement Kit



**NLW7003** 80000969  
**NLW7004** 80000969  
Hook Assembly Replacement Kit

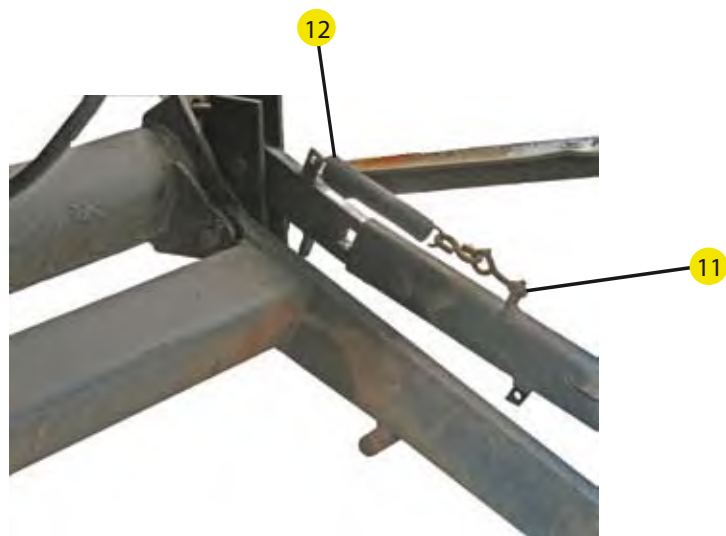
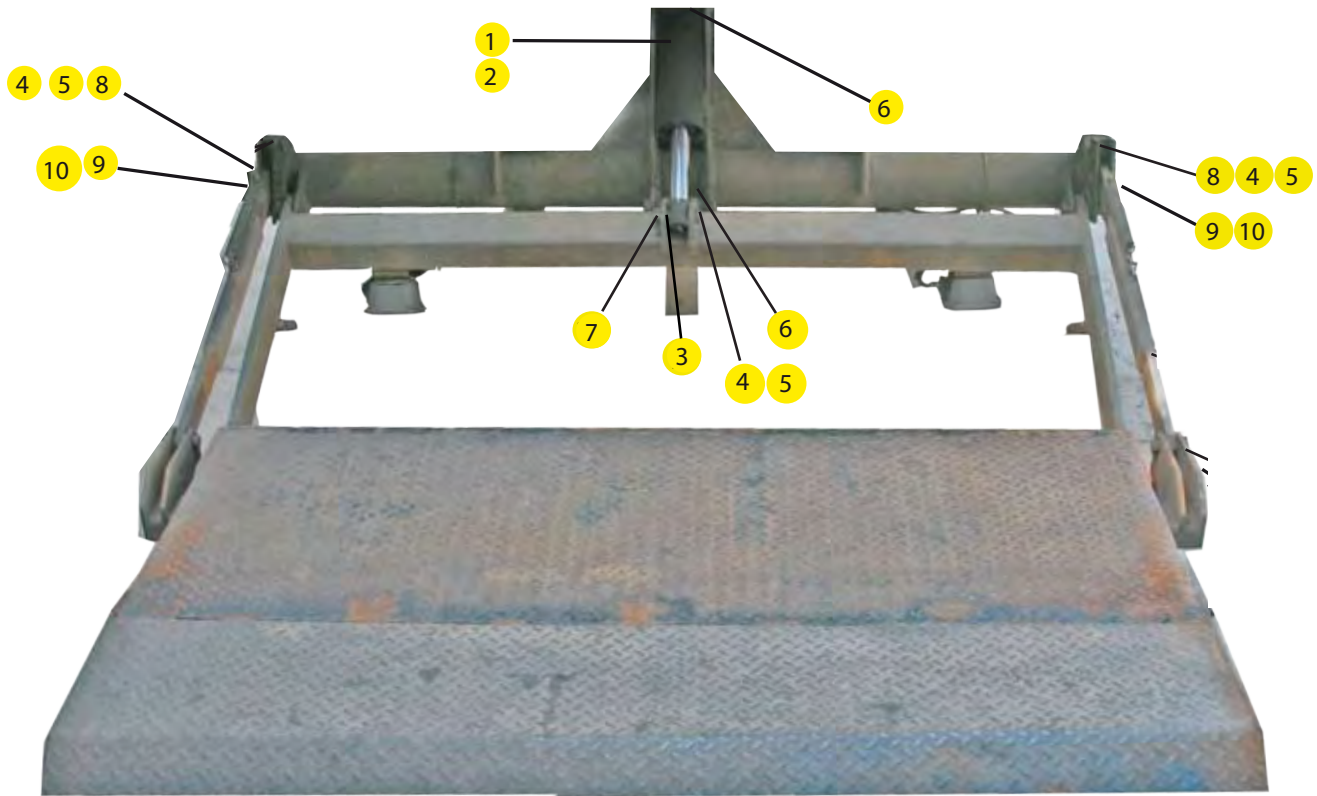


## We ARE Your Best Supplier

- ▶ The Products You Need
- ▶ Always Competitively Priced
- ▶ Always Reliable Quality

# WALTCO

## WALTCO F20 KITS



## WALTCO F20 KITS

### NLW7001 PIN REPLACEMENT KIT

ITEM	OEM	NLP	QTY	DESCRIPTION
	80000736	NLW7001		Pin Replacement Kit
3	20271501	NLW1501	1	Lower Pin, 7/8" x 4-3/8"
4	75086215	NLW6215	3	1/4" x 2-1/2" Hex Bolt (grade 8)
5	75085175	NLW5175	3	1/4" Self Locking Nut
6	20370300	NLW0300	2	Upper Cylinder Pin, 1" x 7-1/8"
8	20370500	NLW0500	2	Stop Block Pin, 1" x 3"
9	20370400	NLW0400	2	Main Pin, 1" x 6-1/2"
	75089541	NLW9541	8	Coiled Pin, 1/4" x 1-7/8"
10	75089542	NLW9542	2	Roll Pin, 1/2" X 2"

### NLW7002 BEARING REPLACEMENT KIT

ITEM	OEM	NLP	QTY	DESCRIPTION
	80000735	NLW7002		Bearing Replacement Kit
4	75086215	NLW6215	3	1/4" x 2-1/2" Hex Bolt (grade 8)
5	75085175	NLW5175	3	1/4" Self Locking Nut
7	10010171	NLW0171	1	Bearing, 7/8" x 1-3/4"
	75089541	NLW9541	8	Coiled Pin
	85803391	NLW3391	10	Bearing, 1" x 1"

### NLW7010 CYLINDER REPLACEMENT KIT

ITEM	OEM	NLP	QTY	DESCRIPTION
	20295401	NLW7010		Cylinder Replacement Kit
	20280010	NLW0010		
1	20280020	NLW0020	1	Cylinder
	20280022	NLW0022		
2a	75082741	NLW2741		Barbed Fitting (Gravity Down)
2b	75082966	NLW2966	1	Adapter (Post 2004 Power Down)
2c	75083318	NLW3318		Adapter (Pre 2004 Power Down)
3	20271501	NLW1501	1	Lower 7/8" x 4-3/8"
4	75086215	NLW6215	2	1/4" x 2-1/2" Hex Bolt (grade 8)
5	75085175	NLW5175	2	1/4" Self Locking Nut
	75089541	NLW9541	3	Coiled Pin, 1/4" x 1-7/8"
6	20370300	NLW0300	2	Upper Cylinder Pin, 1" x 7-1/8"

### NLW0422 SPRING REPLACEMENT KIT

ITEM	OEM	NLP	QTY	DESCRIPTION
	80000422	NLW0422		Spring Replacement Kit
11	20252200	NLW2200	2	Eye Bolt w/Nut, 5/16" x 3-1/2"
12	20270400	NLW0400	2	Extension Spring





## NLW7003 HOOK / HANDLE REPLACEMENT KIT 96" NLW7004 HOOK / HANDLE REPLACEMENT KIT 102"

ITEM	OEM	NLP	QTY	DESCRIPTION
	80000969	NLW7003 NLW7004	1	Hook / Handle Replacement Kit 96" Hook / Handle Replacement Kit 102"
1	20265105 26360101	NLW5105 NLW0101	1	Control Handle, 96" (Pre 2000) Control Handle, 96" (Post 2000)
1a	20265106 26360102	NLW5106 NLW0102	1	Control Handle, 102" (Pre 2000) Control Handle, 102" (Post 2000)
2	75089330	NLW9330	1	Rubber Grip
3	20261600	NLW1600	1	4" Torsion Spring
4	26262002	NLW2002	1	Hook Assembly
5	75089547	NLW9547	1	Coiled Pin, 3/16" x 1"

## NLW7005 DUAL CONTROL HANDLE KIT

ITEM	OEM	NLP	QTY	DESCRIPTION
	80000431	NLW7005		Dual Control Handle Kit
2	75089330	NLW9330	1	Rubber Grip
5	75089547	NLW9547	2	Coiled Pin, 3/16" x 1"
6	26265102	NLW5102	1	Dual Control Handle
7	26263202	NLW3202	1	Dual Control Connector Sleeve

 **SAME DAY SHIPPING**  
on in-stock orders, placed by 3:00pm EST



# INDEX

NLP Number	OE Number	OE Mfg	Components Page	Mfg Page
102112	102112	Leyman		L25
102119	102119	Leyman		L21
102158	102158	Leyman		L25
102192	102192	Leyman		L21
112118	112118	Leyman		L21
203516	203516	Leyman		L19
203526	203526	Leyman		L23
203567	203567	Leyman		L19
203572	203572	Leyman		L19
204161	204161	Leyman		L29
204515	204515	Leyman		L29
305000	305000	Leyman		L19, L23
305739	305739	Leyman		L21
305755	305755	Leyman		L21
305757	305757	Leyman		L21
305758	305758	Leyman		L21
305759	305759	Leyman		L21
305763	305763	Leyman		L21
305764	305764	Leyman		L21
305769	305769	Leyman		L21
305789	305789	Leyman		L21
305952	305952	Leyman		L19, L23
305973	305973	Leyman		L25
305974	305974	Leyman		L25
305975	305975	Leyman		L25
305976	305976	Leyman		L25
305989	305989	Leyman		L25
305990	305990	Leyman		L25
305991	305991	Leyman		L25
305992	305992	Leyman		L25
305997	305997	Leyman		L25
306185	306185	Leyman		L29
306552	306552	Leyman		L29
307121	307121	Leyman		L29
407229	407229	Leyman		L29
407609	407609	Leyman		L29
407973	407973	Leyman		L19
407974	407974	Leyman		L19
407975	407975	Leyman		L19
407995	407995	Leyman		L21
408124	408124	Leyman		L27
408176	408176	Leyman		L27
408317	408317	Leyman		L19
408326	408326	Leyman		L19, L23
408327	408327	Leyman		L19
408328	408328	Leyman		L19, L23
408360	408360	Leyman		L21
408373	408373	Leyman		L25
408379	408379	Leyman		L23
408381	408381	Leyman		L23
408396	408396	Leyman		L23
408397	408397	Leyman		L23
408501	408501	Leyman		L29
408520	408520	Leyman		L29
408535	408535	Leyman		L19
408537	408537	Leyman		L19, L23
408540	408540	Leyman		L19, L23
408546	408546	Leyman		L27
408547	408547	Leyman		L27
408548	408548	Leyman		L27
408549	408549	Leyman		L27
408550	408550	Leyman		L27
408551	408551	Leyman		L27
408552	408552	Leyman		L27
408553	408553	Leyman		L27
408557	408557	Leyman		L27
408558	408558	Leyman		L27
408559	408559	Leyman		L27
408560	408560	Leyman		L27
408561	408561	Leyman		L29
408577	408577	Leyman		L27
408587	408587	Leyman		L29
408736	408736	Leyman		L27
408737	408737	Leyman		L27
409375	409375	Leyman		L29
418355	418355	Leyman		L21

NLP Number	OE Number	OE Mfg	Components Page	Mfg Page
500005	500005	Leyman		L25
500012	500012	Leyman		L25
500029	500029	Leyman		L21
500030	500030	Leyman		L21
500044	500044	Leyman		L25
500077	500077	Leyman		L25
500368	500368	Leyman		L21
500487	500487	Leyman		L21
500492	500492	Leyman		L21
500615	500615	Leyman		L21
500722	500722	Leyman		L21, L25
500766	500766	Leyman		L21, L25
500828	75098340	Waltco	15	W1
500828-2	75098340	Waltco	15	W1
500828-2	75098340	Waltco	13	W1
501031	501031	Leyman		L23, L25
501033	501033	Leyman		L19, L21
501205	501205	Leyman		L21
501510	501510	Leyman		L19, L23
501714	501714	Leyman		L29
501777	501777	Leyman		L27, L29
501962	501962	Leyman		L19, L23
502119	502119	Leyman		L19, L23
502121	502121	Leyman		L19, L23
502407	502407	Leyman		L19, L23
502611	502611	Leyman		L27
502850	502850	Leyman		L29
502926	502926	Leyman		L27
502927	502927	Leyman		L27
503147	503147	Leyman		L21
503227	503227	Leyman		L29
503279	503279	Leyman		L19, L23
503282	503282	Leyman		L19, L23
503334	503334	Leyman		L29
503335	503335	Leyman		L29
503506	503506	Leyman		L27
503526	503526	Leyman		L21, L25
503527	503527	Leyman		L21
503528	503528	Leyman		L21, L25
503529	503529	Leyman		L21
503530	503530	Leyman		L21
503531	503531	Leyman		L21
503532	503532	Leyman		L21
503535	503535	Leyman		L21
503536	503536	Leyman		L21, L25
503553	503553	Leyman		L19, L23
503588	503588	Leyman	15	L1
503588	195436	Maxon	15	
503592	503592	Leyman		L19
503598	503598	Leyman		L27
503704	503704	Leyman		L27
503710	503710	Leyman		L25
503711	503711	Leyman		L25
503712	503712	Leyman		L25
503713	503713	Leyman		L25
503714	503714	Leyman		L25
503715	503715	Leyman		L27
503716	503716	Leyman		L27
503717	503717	Leyman		L21
503744	503744	Leyman		L25
503750	503750	Leyman		L25
503751	503751	Leyman		L25
503768	503768	Leyman		L29
503770	503770	Leyman		L29
503778	503778	Leyman		L29
503782	503782	Leyman		L21, L25, L27
503911	P-1320127	Interlift		11
503911	502475	Leyman		L1, L29
503911	503911	Leyman		L1, L29
503921	503921	Leyman		L25
503922	503922	Leyman		L25
503951	503951	Leyman		L29
503960	503960	Leyman		L19, L23
504137	504137	Leyman		L29
504160	504160	Leyman		L29
504161	504161	Leyman		L29

# INDEX



NLP Number	OE Number	OE Mfg	Components Page	Mfg Page	NLP Number	OE Number	OE Mfg	Components Page	Mfg Page
504162	504162	Leyman		L29	AMT0077	70392000	Waltco	13	
504163	504163	Leyman		L29	AMT0090	A150265	Anthony	12, 17	A1
504164	504164	Leyman		L29	AMT0090	222423	Maxon	12, 17	M1
504351	504351	Leyman		L29	AMT0090	226578	Maxon	12, 17	M1
504372	504372	Leyman		L23	AMT0090	42 Fenner	Tommy	12, 17	
504373	504373	Leyman		L29	AMT0090	70392900	Waltco	12, 17	W1
504375	504375	Leyman		L29	AMT0093			12	
504377	504377	Leyman	15	L29	AMT0097	222423	Maxon	12, 17	M1
504377	2KW	Smith	15		AMT0097	226578	Maxon	12, 17	M1
504379	504379	Leyman		L29	AMT0097	42 Fenner	Tommy	12, 17	
504501	504501	Leyman		L29	AMT0097	70392900	Waltco	12, 17	W1
504502	504502	Leyman	L21, L25, L27		AMT0097	A150265	Anthony	12, 17	A1
504510	504510	Leyman		L29	AMT0100	70391100	Waltco	12, 17	W1
504516	504516	Leyman	L21, L25, L27		AMT0100	70392800	Waltco	12, 17	W1
504518	504518	Leyman	L21, L25, L27		AMT0100	P46340	Leyman	12, 17	L1, L7, L13, L15, L30
504520	504520	Leyman		L29	AMT0100	226578	Maxon	12, 17	M1
504521	504521	Leyman		L29	AMT0100	226579	Maxon	12, 17	M1
504524	504524	Leyman		L29	AMT0103			12	
504700	504700	Leyman		L29	AMT0105	P46340	Leyman	12	L1
504702	504702	Leyman		L29	AMT0105	226578	Maxon	12	M1
504712	504712	Leyman		L27	AMT0105	226579	Maxon	12	M1
504715	504715	Leyman		L27	AMT0105	70391100	Waltco	12	W1
504716	504716	Leyman		L29	AMT0105	70392800	Waltco	12	W1
504717	504717	Leyman		L29	AMT0301	1330180	Eagle	15	
504718	504718	Leyman		L29	AMT0301	70092401	Waltco	15	W1
504719	504719	Leyman		L29	AMT0401	458001	Ramsey	16	
504720	504720	Leyman		L29	AMT0404	7536	Warn	16	
504723	504723	Leyman		L29	AMT0406	8403	Warn	16	
504726	504726	Leyman		L29	AMT0406	31560	Warn	16	
504727	504727	Leyman		L29	AMT0406	38894	Warn	16	
504744	504744	Leyman	15		AMT0450	300105	Autocrane	16	
504744	3KW	Smith	15		AMT0450	300105-001	Autocrane	16	
504902	504902	Leyman		L29	AMT0460			16	
540003	540003	Leyman	L21, L25, L27		AMT0470	7536	Superwinch	16	
600010	600010	Leyman	L19, L23		AMT0470	7682	Superwinch	16	
600013	600013	Leyman	L19, L23		AMT1401	458001	Ramsey	16	
700006	700006	Leyman		L21	AMT3090			17	
700012	700012	Leyman	L21, L25		AMT3091			17	
710021	710021	Leyman		L27	AMT3097			17	
850015	850015	Leyman		L23	AMT3100			17	
850027	850027	Leyman		L19	AMT3101			17	
1480458	1480458	Leyman		L19	AMT9507	P33592	Leyman	15	
230504994	230504994	Leyman		L2	AMT9507	P33903	Leyman	15	
A332413	A332413	Leyman		L2	AP-501-267	AP-501-267	Leyman		L15, L17
AA-501-305	AA-501-305	Leyman		L9, L11	AP-800-026-1	AP-800-026-1	Leyman		L5
AA-800-102	AA-800-102	Leyman		L5	AP-800-027	AP-800-027	Leyman		L5
AA-800-105	AA-800-105	Leyman		L5	AP-800-108-1	AP-800-108-1	Leyman		L5
AA-800-107	AA-800-107	Leyman		L5	AP-800-121	AP-800-121	Leyman		L5
AA-800-147	AA-800-147	Leyman		L5	AP-800-129	AP-800-129	Leyman		L5
AA-800-228	AA-800-228	Leyman		L5	AP-800-235	AP-800-235	Leyman		L5
AA-800-230	AA-800-230	Leyman		L5	AP-800-236	AP-800-236	Leyman		L5
AA-800-232	AA-800-232	Leyman		L5	AP-800-237	AP-800-237	Leyman		L5
AA-800-234	AA-800-234	Leyman		L5	AP-808-108	AP-808-108	Leyman		L9
AA-805-145	AA-805-145	Leyman		L2	AP-810-049	AP-810-049	Leyman		L19
AA-811-328	AA-811-328	Leyman		L9	AP-810-064	AP-810-064	Leyman		L19
AA-999-029	AA-999-029	Leyman		L9	AP-810-065	AP-810-065	Leyman		L19
AMF1201	P33662	Leyman		L30	AP-811-200	AP-811-200	Leyman		L9, L11
AMF1210	P33663	Leyman		L30	APL2249		Leyman		L7, L15
AMF1225	P33664	Leyman		L30	APL2250	206033	Maxon	10	
AMF3330	A130272	Anthony	18	A1	APL2250	4420750	Thieman	10	T1
AMF3330	AA-501-247	Leyman	18		APL2250	40-1036	Tommy	10	TG1, TG2
AMF3330	P33772	Leyman	18		APL2250	70091255	Waltco	10	
AMF3330	250072	Maxon	18	M1	APL2252	70091255	Waltco	10	W2
AMF3330	4412	Thieman	18		APL2252	80000692	Waltco	10	W2
AMF3330	70400003	Waltco	18	W5	APL2260			10	
AMF3331		Waltco	18	W5	APL2263			10	
AMF3338	P33982	Leyman	18		APL2265			10	
AMF3345	250071	Maxon	18		APL2740	ATU307	Anthony	3, 4	A2
AMF3345	252703	Maxon	18		APL2740	P46441	Leyman	3, 4	L7, L13
AMF3345	4413	Thieman	18		APL2740	226889	Maxon	3, 4	M3
AMF3346			18		APL2740	75089808	Waltco	3, 4	W2
AMF9050		Leyman		L15, L17	APL2752			4	
AMT0077	53500	Maxon	13	M1	APL2753			4	
AMT0077	224912	Maxon	13	M1	APL2754			4	
AMT0077	43-46	Tommy	13		APL2755			4	
AMT0077	70391000	Waltco	13		APL2756			4	





# INDEX

NLP Number	OE Number	OE Mfg	Components Page	Mfg Page
APL2757			4	
APL2765	A150477	Anthony	4	A1
APL2765	P46442	Leyman	4	
APL2765	224849	Maxon	4	M3
APL2765	4301550	Thieman	4	T1
APL2765	4301740	Thieman	4	T1
APL3000	CH24059	Cole Hersee	8	
APL3000	CH24106	Cole Hersee	8	
APL3000	LH03336	Leyman	8	
APL3000	53395	Maxon	8	
APL3000	229198	Maxon	8	
APL3000	251880	Maxon	8	
APL3000	260270	Maxon	8	
APL3000	967	Tommy	8	TG1
APL3000	39002122	Waltco	8	
APL3000	70092531	Waltco	8	
APL3000	75089822	Waltco	8	
APL3004	LH3774	Leyman	8	
APL3004	P46344	Leyman	8	
APL3004	RP98220	Leyman	8	
APL3004	70092403	Waltco	8	
APL3004	75089821	Waltco	8	
APL3010	LH120	Leyman	8	
APL3010	207041	Maxon	8	
APL3010	339198	Maxon	8	
APL3010	4421620	Thieman	8	
APL3010		Tommy	8	TG3
APL3010	70091714	Waltco	8	W2
APL3010	70092507	Waltco	8	W2
APL3010	75089822	Waltco	8	W2, W4
APL3014	1330330	Eagle	8	
APL3014		Leyman	8	L13, L15
APL3014	268029-01	Maxon	8	M7
APL3014	4447	Thieman	8	T1
APL3014	4421620	Thieman	8	T1
APL3014	4422710	Thieman	8	T1
APL3020	262939	Maxon	8, 17	M3, M5, M8
APL3020	263061	Maxon	8, 17	M3
APL3020		Tommy	8, 17	TG3
APL3020	75089831	Waltco	8, 17	W2, W4
APL3024	265662	Maxon	8, 17	M3
APL3024	39002134	Maxon	8, 17	M3
APL3024	75089833	Waltco	8, 17	W2
APL3044			9	
APL3050		Leyman		L7, L13, L15
APL3051	P33895	Leyman	9, 17	L2
APL3094	280394	Maxon	8, 17	M3
APL3094	268029-01	Maxon	8, 17	M3, M6
APL3094	70092507	Waltco	8, 17	W2
APL3094	75089833	Waltco	8, 17	W2
APL3094	80001065	Waltco	8, 17	W2
APL3096	268030-01	Maxon	8	M3
APL3599		Leyman		L30
APL4000	111-179E	Autocrane	9	
APL4001	111-174E	Autocrane	9	
APL7020		Leyman		L13
APL9005			5	
APL9009			5	
APL9012			5	
APL9015	A150495	Anthony	5	A2
APL9015	A150495	Leyman	5	
APL9015	P46405	Leyman	5	L2, L13, L17
APL9025			5	
APL9200	P46580	Leyman	9, 17	L7, L13, L17, L30
APL9200	280404	Maxon	9, 17	M6, M7
APL9200		Tommy	9, 17	TG2, TG3
APL9300		Tommy		TG3
APL9300	70400002	Waltco		W4
APL9301		Tommy		TG3
APL9400	70091713	Waltco	17	W4
APL9401			17	
APL9402			17	
APL9403			17	
APL9653	A150031	Anthony	5	A2
APL9653	A150031	Leyman	5	
APL9653	228754	Maxon	5	M3

NLP Number	OE Number	OE Mfg	Components Page	Mfg Page
APP0240-1		Leyman		L7
APP0245	A150001	Anthony	21	A1
APP0245	A150586	Anthony	22	A1
APP0245	A150001	Leyman	22	
APP0250	250100	Maxon	22	M4
APP0253	229822	Maxon	22	M4
APP0253	229824	Maxon	22	M4
APP0253	253171	Maxon	22	M4
APP1004	P33758	Leyman	11	
APP1004	226947	Maxon	11	
APP1004	70091622	Waltco	11	
APP1006	P33759	Leyman	11	L15
APP1006	70091618	Waltco	11	
APP1008	225206	Maxon	11	
APP1008	70091619	Waltco	11	
APP1016	P33757	Leyman	11	
APP1016	70091623	Waltco	11	
APP1018			11	
APP1025			11	
APP1111	P33780	Leyman	21	
APP2100	P33745	Leyman	21	L7, L15, L30
APP2100	53375	Maxon	21	
APP2100	70091280	Waltco	21	
APP2103		Leyman		L30
APP2103	250077	Maxon	21	
APP2103	70091759	Waltco	21	L15
APP2125	P30519	Leyman		L7, L30
APP2128		Leyman		L15
APP2560	214884	Maxon	21	
APP2560	70091613	Waltco	21	
APP2568			21	
APP2569	P33652B	Leyman	21	L2, L7, L15, L30
APP2569	250074	Maxon	21	
APP2569	250095	Maxon	21	
APP3135			26	
APP3140	53438	Maxon	26	
APP3140	203876	Maxon	26	
APP3140	70091262	Waltco	26	
APP3145			22, 26	
APP3149			22, 26	
APP3151	P33651	Leyman	26	L2, L30
APP3156			26	
APP3159		Leyman	22, 26	L15
APP3160			26	
APP3300	P33654	Leyman	27	L30
APP3300	53373	Maxon	27	
APP3300	75000027	Waltco	27	
APP3301		Leyman	27	L15
APP3301	75000017	Waltco	27	
APP3800	FPP3800	NLP	27	
APP3800	P33667	Leyman	27	L7, L15, L30
APP3800	207037	Maxon	27	
APP3800	229193	Maxon	27	
APP3800	240079	Maxon	27	
APP3800	260847	Maxon	27	
APP3800	T3-20002-00	Tommy	27	TG1
APP3800	70091270	Waltco	27	
APP3800D	240079	Maxon	27	
APP3805			27	
APP3806			27	
APP9300		Leyman		L7
AT-501-100-015	AT-501-100-015	Leyman		L15, L17
AT-501-100-018	AT-501-100-018	Leyman		L15, L17
AT-501-100-020	AT-501-100-020	Leyman		L15, L17
AT-501-100-024	AT-501-100-024	Leyman		L5
AT-501-100-035	AT-501-100-035	Leyman		L15, L17
AT-501-100-080	AT-501-100-080	Leyman		L17
AT-501-100-083	AT-501-100-083	Leyman		L11
AT-501-100-090	AT-501-100-090	Leyman		L11
AT-501-100-091	AT-501-100-091	Leyman		L11
AT-501-100-121	AT-501-100-121	Leyman		L11
AT-501-100-123	AT-501-100-123	Leyman		L11
AT-501-100-127	AT-501-100-127	Leyman		L11
AT-501-100-130	AT-501-100-130	Leyman		L11
AT-501-101-025	AT-501-101-025	Leyman		L11
AT-501-284-081	AT-501-284-081	Leyman		L11

# INDEX



NLP Number	OE Number	OE Mfg	Components Page	Mfg Page
AT-501-365-025	AT-501-365-025	Leyman		L11
AT-805-054-001	AT-805-054-001	Leyman		L9
AT-805-054-002	AT-805-054-002	Leyman		L9
BA-501-340	BA-501-340	Leyman		L17
BA-800-037	BA-800-037	Leyman		L5
BA-800-038	BA-800-038	Leyman		L5
BA-800-141	BA-800-141	Leyman		L5
BA-800-159	BA-800-159	Leyman		L5
BA-800-304	BA-800-304	Leyman		L5
BA-805-271	BA-805-271	Leyman		L2
BA-818-205	BA-818-205	Leyman		L9
BA-818-206	BA-818-206	Leyman		L9
BHL3012	70091701	Waltco	25	
BHL3012	70121000	Waltco	25	
BHL3014	4421302	Thieman	25	T1
BHL3103		Tommy		TG2
BMF0042		Tommy		TG3
BMF0600	12171-160	Tommy		TG2
BMF1200		Tommy		TG2
BMF1226		Tommy		TG2
BMF2131		Tommy		TG3
BMF2131	70092504	Waltco		W4
BMF3300	A150011	Leyman	19	
BMF3300	223748	Maxon	19	M2
BMF3300	70091717	Waltco	19	
BMF3300	70400051	Waltco	19	
BMF3300	4421600	Thieman	19	
BMF3330	ATU121	Anthony	19	A1
BMF3330	LH00094	Leyman	19	L7
BMF3330	LH121	Leyman	19	L7
BMF3330	223758	Maxon	19	M2
BMF3330	4445	Thieman	19	T1
BMF3330		Tommy	19	TG3
BMF3330	70092418	Waltco	19	W5
BMF3330	4422270	Thieman	19	T1
BMF3330	4423680	Thieman	19	T1
BMF3335	70092421	Waltco	19	
BMF3335	LH00121	Leyman	19	
BMF3338	70092420	Waltco	19	
BMF3338	LH00262	Leyman	19	
BMF3340	A150006	Leyman	19	
BMF3345	ATU122	Anthony	19	A1
BMF3345	LH0089	Leyman	19	
BMF3345	70092419	Waltco	19	
BMF3345	223757	Maxon	19	
BMF3345	4423310	Thieman	19	
BMF3360	223758	Maxon		M2
BMF3360	70400033	Waltco		W5
BMF3390	260276	Maxon		M2
BMF4105		Tommy		TG3
BMF4130		Tommy		TG2
BMF4220		Tommy		TG3
BMF9058		Tommy		TG2
BMF9059		Tommy		TG2
BMF9060		Tommy		TG2
BMF9067		Tommy		TG3
BMF9067	70400008	Waltco		W4
BMF9150		Tommy		TG2
BMF9165		Tommy		TG2
BMF9167		Tommy		TG3
BMF9167	70092357	Waltco		W4
BMF9170		Tommy		TG3
BMF9170	70091712	Waltco		W4
BMT0021		Leyman	13	L13, L17
BMT0021	4422590	Thieman	13	T2
BMT0021	70092313	Waltco	13	W1
BMT0021	70092514	Waltco	13	W1
BMT0021	ATU8112	Anthony	13	A1
BMT0022	A150018M	Anthony	13	A1
BMT0022	1330180	Eagle	13	
BMT0022	LH150018	Leyman	13	L1
BMT0022	223740	Maxon	13	M1
BMT0022	4423520	Thieman	13	T2
BMT0022	958	Tommy	13	TG1
BMT0022	42-4320	Tommy	13	TG1, TG2, TG3
BMT0022	70091739	Waltco	13	W1, W4

NLP Number	OE Number	OE Mfg	Components Page	Mfg Page
BMT0022	70092312	Waltco	13	W1, W4
BMT0022	70092359	Waltco	13	W1, W4
BMT0027	A150018M	Anthony	13, 17	A1
BMT0027	1330180	Eagle	13, 17	
BMT0027	LH150018	Leyman	13, 17	L1, L7
BMT0027	223740	Maxon	13, 17	M1
BMT0027	4423520	Thieman	13, 17	T2
BMT0027	958	Tommy	13, 17	TG1
BMT0027	42-4320	Tommy	13, 17	TG1, TG2, TG3
BMT0027	70091739	Waltco	13, 17	W1, W4
BMT0027	70092312	Waltco	13, 17	W1, W4
BMT0027	70092359	Waltco	13, 17	W1, W4
BMT0029	223740	Maxon	13	M1
BMT0029	229272	Maxon	13	M1, M8
BMT0029	250093	Maxon	13	M1, M5
BMT0029	39200388	Maxon	13	M1
BMT0029	39200398	Maxon	13	M1
BMT0029	39200443	Maxon	13	M1
BMT0029	P33818	Leyman	13	L1
BMT0029T	280374	Maxon	14, 17	M1, M6
BMT0029T	39200467	Maxon	14, 17	M1
BMT0029T	39200486	Maxon	14, 17	M1
BMT0029T	268176-01	Maxon	14, 17	M1, M7
BMT0029T	281810-01	Maxon	14, 17	M1
BMT0029T	229272-100	Maxon	14, 17	M1, M6, M8
BMT0030T	280381	Maxon	14	M1
BMT0030T	290089	Maxon	14	M1
BMT0032T	P33992A	Leyman	14	L1
BMT0032T	7043001-01	Waltco	14	W1
BMT0034T	268011-01	Maxon	14	M1
BMT0034T	S204T	Maxon	14	M1
BMT0127	4423520	Thieman	13, 17	T1
BMT0127	4423521	Thieman	13, 17	T1
BMT0127	70091739	Waltco	13, 17	W1
BMT0127	70092514	Waltco	13, 17	W1
BMT0127	ATU8100	Anthony	13, 17	A1
BMT0127	MMY4001	Leyman	13, 17	L1
BMT0127	4422590	Thieman	13, 17	T2
BMT0133THD	08003	Leyman	14	L1
BMT0133THD	08196	Leyman	14	L1
BMT0133THD	P34027A	Leyman	14	L1, L13, L17
BMT0133THD	7043002-01	Waltco	14	W1
BMT0167	39200398	Maxon	13	M1, M5
BMT0167	250093HD	Maxon	13	M1, M5
BMT0167	P33818	Leyman	13	L1, L7, L18, L19
BMT0167	229272	Maxon	13	M1
BMT0167	250093	Maxon	13	M1
BMT0320	1330185	Eagle	15	
BMT0320	P33939	Leyman	15	L1
BMT0320	4423720	Thieman	15	T2
BMT0320	70092401	Waltco	15	
BMT0320	70092423	Waltco	15	
BMT3027			17	
BMT3029T			17	
BMT3127			17	
BMT5222	A130051	Anthony	15	A1
BMT5762T	P-2020866	Interlift	14	I1
BP-805-256	BP-805-256	Leyman		L9, L13
BP-805-258	BP-805-258	Leyman		L9, L13
BP-805-286	BP-805-286	Leyman		L13
BP-805-287	BP-805-287	Leyman		L13
BPL2250	70092304	Waltco	10	
BPL2250	1030	Maxon	10	
BPL2250	4422980	Thieman	10	T1
BPL2254	4322	Thieman	10	T1
BPL2260	70092302	Waltco	10	
BPL2270			10	
BPL2290			10	
BPL2295		Tommy	10	
BPL2297	4423450	Thieman	10	
BPL2297		Tommy	10	TG2
BPL2298		Tommy		TG2
BPL2299		Tommy		TG2
BPL2600			6	
BPL2601	CH11041	Cole Hersee	6	
BPL2601	P46150	Leyman	6	L13



# INDEX

NLP Number	OE Number	OE Mfg	Components Page	Mfg Page
BPL2602	CH11042	Cole Hersee	6	
BPL2602			6	L13
BPL2610			6	
BPL2611	CH11041-06	Cole Hersee	6	
BPL2611			6	L13
BPL2612	CH11042-05	Cole Hersee	6	
BPL2612			6	L13
BPL2620			6	
BPL2621	CH1253	Cole Hersee	6	
BPL2621			6	
BPL2622	CH1232	Cole Hersee	6	
BPL2622			6	
BPL2700	LH136	Leyman	3	
BPL2701	4422860	Thieman	3	
BPL2704	ATU165	Anthony	3	
BPL2704	4422760	Thieman	3	
BPL2713	CH90030	Cole Hersee	5	
BPL2713	A150007	Leyman	3, 5	
BPL2713	LH03313	Leyman	3, 5	
BPL2713	227659	Maxon	3, 5	
BPL2713	4422720	Thieman	3, 5	T1
BPL2713	75089805	Waltco	3, 5	
BPL2714			5	
BPL2717	ATU101	Anthony	3	A2
BPL2717	ATU101	Leyman	3	L5
BPL2717	LH101	Leyman	3	L5
BPL2717	4422850	Thieman	3	
BPL2720	CH9276-09	Cole Hersee	5	
BPL2720	A150007	Leyman	3, 5	
BPL2720	4422730	Thieman	3, 5	T1
BPL2722	ATU101PD	Anthony	3	A2
BPL2730	213513	Maxon	5	
BPL2730	215331	Maxon	5	
BPL2750	ATU393	Anthony	3	A2
BPL2752	ATU392	Anthony	3	A2
BPL2755	A133141	Anthony	3	A2
BPL2755	ATU394	Anthony	3	A2
BPL2756			4	
BPL2757			4	
BPL2758	ATU393	Anthony	3	A2
BPL2758	P33973	Leyman	3	L5, L7
BPL2759			4	
BPL2760	ATU307	Anthony	3, 4	
BPL2761			4	
BPL2762	75089770	Waltco	4	
BPL2762	250876	Maxon	4	
BPL2763	ATU307	Anthony	4	
BPL2763	226889	Maxon	4	
BPL2764			4	
BPL2765			4	
BPL2766			4	
BPL2767			4	
BPL2768			4	
BPL2769			4	
BPL2770	75089798	Waltco	2	
BPL2771			2	
BPL2772	75089800	Waltco	2	
BPL2773			2	
BPL2774	75089799	Waltco	2	
BPL2776			2	
BPL2777			2	
BPL2778			2	
BPL2779			2	
BPL2783			2	
BPL2784			2	
BPL2786			2	
BPL2787			2	
BPL2788			2	
BPL2789			2	
BPL2790	223760	Maxon	3	
BPL2791	AR18107	Leyman	3	
BPL2792			3	
BPL2793			3	
BPL2794	P46521	Leyman	3	
BPL2870			2	
BPL2871			2	

NLP Number	OE Number	OE Mfg	Components Page	Mfg Page
BPL2872			2	
BPL2873			2	
BPL2874			2	
BPL2876			2	
BPL2877			2	
BPL2878			2	
BPL2879			2	
BPL3000	ATU120	Anthony	8	A1
BPL3000	CH24115	Cole Hersee	8	
BPL3000	223741	Maxon	8	
BPL3000	97240-X	Maxon	8	
BPL3000	70091714	Waltco	8	
BPL3192	4423550	Thieman	24	T1
BPL3192	70091706	Waltco	24	
BPL9050		Leyman		L7, L17
BPP0019	P33774	Leyman	23	
BPP0019	4400351	Thieman	23	T2
BPP0019	70400000	Waltco	23	
BPP0019-1			23	
BPP0019-2			23	
BPP0019-3	70400150	Waltco	23	
BPP0019-5	70400700	Waltco	23	W3
BPP0019-5	70400000	Waltco	23	W3
BPP0019-6	4400871	Thieman	23	T2
BPP0019-6	70400850	Waltco	23	W3
BPP0019-6	70400000	Waltco	23	W3
BPP0019-7	968	Tommy	24	TG1
BPP0019-7	18-4362	Tommy	24	TG1
BPP0019M			23	
BPP0030			22	
BPP0031			22	
BPP0032			22	
BPP0033			22	
BPP0035	4400701	Thieman		T2
BPP0036	4400851	Thieman		T2
BPP0037	4400901	Thieman		T2
BPP0042	4400371	Thieman	25	T3
BPP0042	4400911	Thieman	25	T3
BPP0042-3	4404	Thieman		T3
BPP0043			25	
BPP0044			25	
BPP0059	4400841	Thieman		T2
BPP0100	26295000	Waltco	24	
BPP0100	70400300	Waltco	24	
BPP0101			24	
BPP0102			24	
BPP0103	4400091	Thieman	24	
BPP0104	4400091	Thieman		T2
BPP0110	4400241	Thieman	25	T3
BPP0110	20295000	Waltco	25	
BPP0110-1			25	
BPP0110-2			25	
BPP0110-3			25	
BPP0113			24	
BPP0113-1	4400421	Thieman		T2
BPP0113-4			24	
BPP0113-8			24	
BPP1085		Tommy		TG2, TG3
BPP1085		Waltco		W4
BPP1088	LH02330	Leyman	21	
BPP1088	4421530	Thieman	21	
BPP1088		Tommy	21	TG2, TG3
BPP1088	70091719	Waltco	21	W4
BPP1088	70400006	Waltco	21	W4
BPP2100		Tommy		TG2, TG3
BPP2100		Leyman		L7, L17
BPP2100	70091730	Waltco		W4
BPP2101		Tommy		TG2
BPP2128		Leyman		L7, L17, L30
BPP2128		Tommy		TG2, TG3
BPP2128	70091731	Waltco		W4
BPP2129		Tommy		TG2, TG3
BPP2129	70091732	Waltco		W4
BPP2560	BA-818-199	Leyman	21	L2, L7, L17
BPP2560	70401410	Waltco	21	
BPP2561		Waltco	21	W4



# INDEX



NLP Number	OE Number	OE Mfg	Components Page	Mfg Page
BPP2562			21	
BPP2563			21	
BPP2564			21	
BPP3092		Tommy		TG2
BPP3134			29	
BPP3135			29	
BPP3136		Tommy	24, 29	TG2, TG3
BPP3137			29	
BPP3138			29	
BPP3140	A150012	Leyman	23, 28	L7
BPP3140	P33791	Leyman	23, 28	
BPP3140	4403	Thieman	23, 28	
BPP3149		Leyman		L17
BPP3150			22, 23, 24, 25, 28	
BPP3154			28	
BPP3156	70400853	Waltco	29	W4
BPP3157			29	
BPP3300	A150019	Leyman	27	L17
BPP3300	LH02352	Leyman	27	L17
BPP3300	223747	Maxon	27	
BPP3300	4421600	Thieman	27	
BPP3300		Tommy	27	TG2, TG3
BPP3300	70091717	Waltco	27	W4
BPP3300	70092413	Waltco	27	
BPP3302			27	
BPP3310			27	
BPP3800	A150013	Anthony	27	
BPP3800	A150013	Leyman	27	L7, L17
BPP3800	LH01143	Leyman	27	
BPP3800	LH150015	Leyman	27	
BPP3800	223749	Maxon	27	
BPP3800	4420410	Thieman	27	T1
BPP3800		Tommy	27	TG1, TG2
BPP3800	70091734	Waltco	27	
BPP3800	70400055	Waltco	27	
BPP3805	4420409	Thieman	27	T1
BPP3805		Tommy	27	TG2, TG3
BPP3805	70091734	Waltco	27	
BPP3805	70400004	Waltco	27	W4
BPP3905	1330365	Eagle	24, 28	
BPP3905		Tommy	24, 28	TG2
BPP3906			28	
BPP3910			28	
BPP3914			28	
BPP3915			22, 25, 28	
BPP3916			28	
BPP3920			28	
BPP3950			25	
BPP4913	70400001	Waltco	23, 29	W4
BPP4913	4405	Thieman	29	
BPP4920	4407	Thieman	29	
BPP4922	P33942	Leyman	29	
CA-551-296	CA-551-296	Leyman		L13
CA-658-128	CA-658-128	Leyman		L13
CA-658-206	CA-658-206	Leyman		L13
CA-800-090	CA-800-090	Leyman		L5
CA-800-244	CA-800-244	Leyman		L5
CA-800-261	CA-800-261	Leyman		L5
CA-800-263	CA-800-263	Leyman		L5
CH1232	BPL2622	NLP	6	
CH1235			6	
CH1253	BPL2621	NLP	6	
CH1254			6	
CH2484			5	
CH2484-19			5	
CH9216-03			5	
CH9276-09	BPL2720	NLP	5	
CH11041	BPL2601	NLP	6	
CH11041-06	BPL2611	NLP	6	
CH11042	BPL2602	NLP	6	
CH11042-05	BPL2612	NLP	6	
CH11135			6	
CH11172			6	
CH11173			6	
CH24059	CH24059	NLP	8	
CH24106	APL3000	NLP	8	

NLP Number	OE Number	OE Mfg	Components Page	Mfg Page
CH24115	BPL3000	NLP	8	
CH24213			8	
CH24450			9	
CH54003			5	
CH58328-04			5	
CH58328-11			5	
CH75712-04			5	
CH90030	BPL2713	NLP	5	
DA-800-094	DA-800-094	Leyman		L5
DP-800-059	DP-800-059	Leyman		L5
ELW2163			7	
ELW2163		Leyman	7	L13
ELW3041			7	
ELW3042			7	
ELW3163			7	
ELW3164			7	
ELW6163			7	
ELW6164			7	
ELW6165			7	
ELW6166			7	
EPR3610		Leyman		L13
EPR6166		Leyman		L7
EPR6208		Leyman		L13
EPR6266		Leyman		L13
EPR8664		Leyman		L13
FMF3390	229196	Maxon	20	M2
FMF3390	260276	Maxon	20	M2
FMF3391	260276	Maxon	20	M2, M5
FMF3391	290046	Maxon	20	M7
FMF3395	229197	Maxon	20	
FMF3396	290048	Maxon	20	M7
FMF3398	290047	Maxon	20	M7
FMF7132	4423690	Thieman	20	T1
FPP1000	P33554	Leyman	11	
FPP1000	229200	Maxon	11	M5
FPP1000	250076	Maxon	11	
FPP1111	229288	Maxon	21	
FPP1111	260261	Maxon	21	M5
FPP2100	260250	Maxon		M5
FPP3301	251884	Maxon		M5
FPP3800	APP3800	NLP	27	
FUS1103			5	
FUS1105			5	
FUS1106			5	
FUS1107			5	
FUS1108			5	
FUS1110			5	
FUS1115			5	
FUS1120			5	
FUS1125			5	
FUS1130			5	
FUS1140			5	
HDW1	HDW1	Leyman		L11
LEY2756-1	LEY2756-1	Leyman		L7, L30
LEY3050	P33892A	Leyman		L30
LH1850-3500	LH1850-3500	Leyman		L5
MAX0101	266401-01	Maxon	32	
MAX0262	260262	Maxon		M4
MAX0589	267733-11	Maxon		M4, M6, M7
MAX0663-01	280663-01	Maxon	32	
MAX0663-02	280663-02	Maxon	32	
MAX0801	266408-01	Maxon	32	
MAX1017	253315	Maxon	32	
MAX1028	253975	Maxon	32	
MAX1056	253511-101	Maxon		M2
MAX1085	290043	Maxon	20	M2, M6
MAX1085	253353	Maxon	20	M2, M5, M8
MAX1086	226594	Maxon	20	M2, M6, M8
MAX1087	260275	Maxon		M5
MAX1088	260229	Maxon		M5
MAX1095	261106	Maxon		M4, M5
MAX1095	260263	Maxon		M4
MAX1098	260236	Maxon		M5
MAX1100	260274	Maxon		M5
MAX1105	229202	Maxon		M5
MAX1135	253942	Maxon		M2



# INDEX

NLP Number	OE Number	OE Mfg	Components Page	Mfg Page
MAX1145	260451	Maxon		M2
MAX1897	261897	Maxon	32	
MAX1898	261898	Maxon	32	
MAX2021	264103	Maxon	32	
MAX2041	280055	Maxon		M2
MAX2139	263200-01	Maxon	32	
MAX2140	253315-01	Maxon	32	
MAX2210	262966	Maxon		M5, M8
MAX2212	290019	Maxon		M2
MAX2229	280253	Maxon		M4
MAX2230	280252	Maxon		M4
MAX2318	202318	Maxon	32	
MAX2319	202319	Maxon	32	
MAX2322	202322	Maxon	32	
MAX2680	262680	Maxon	32	
MAX3109	253109	Maxon	32	
MAX3110	253110	Maxon	32	
MAX3111	253111	Maxon	32	
MAX3338	253338	Maxon	32	
MAX3339	253339	Maxon	32	
MAX3340	253340	Maxon	32	
MAX3451	253451	Maxon	32	
MAX3501	281035-01	Maxon	32	
MAX3901	266039-01	Maxon	32	
MAX4001	281040-01	Maxon	32	
MAX4442	264442	Maxon	32	
MAX5000	223513	Maxon		M4
MAX5000	253515	Maxon		M4
MAX5000	262256	Maxon		M4
MAX5643	225643	Maxon	32	
MAX6037-01	266037-01	Maxon	32	
MAX6038-01	266038-01	Maxon	32	
MAX6254	226254	Maxon	32	
MAX6401-01	260372	Maxon		M11
MAX6401-01	266401-01	Maxon		M11
MAX6401-02	266401-02	Maxon	32	
MAX6821-01	906821-01	Maxon		M7
MAX7665	227665	Maxon	32	
MAX8625	228625	Maxon	32	
MAX9001	280990-01	Maxon	32	
MCB8500	2939	Tommy		TG1
MCB8500	6-4617	Tommy		TG1
MCB8506	3134	Tommy		TG1
MCB8506	6-4624	Tommy		TG1
MMC0374	260374	Maxon	32	
MMC1000	263612	Maxon		M8
MMC1005	263779	Maxon		M8
MMC1006	263369	Maxon		M8
MMC1007	263811	Maxon		M8
MMC1008	263500	Maxon		M8
MMC1009	263497	Maxon		M8
MMC1010	263499	Maxon		M8
MMC1011	263791	Maxon		M8
MMC1012	030937	Maxon		M8
MMC1013	263370	Maxon		M8
MMC1014	263814	Maxon		M8
MMC1015	263795	Maxon		M8
MMC1016	263798	Maxon		M8
MMC1017	263802	Maxon		M8
MMC1018	260250	Maxon		M8
MMC1019	905100	Maxon		M8
MMC1020	030039	Maxon		M8
MMC1021	030555	Maxon		M8
MMC1022	030556	Maxon		M8
MMC1023	905291	Maxon		M8
MMC1024	264548	Maxon		M8
MMC1025	264546	Maxon		M8
MMC1026	264755	Maxon		M8
MMC1029	263714-01	Maxon		M8
MMC1030	251739	Maxon		M8
MMC1032	227004	Maxon		M8
MMC1041	262999	Maxon		M11
MMC1041	207914-100	Maxon		M11
MMC1044	201638	Maxon		M11
MMC1046	222988	Maxon		M11
MMC1051	260372	Maxon	32	

NLP Number	OE Number	OE Mfg	Components Page	Mfg Page
MMC1052	260392	Maxon	32	
MMC1053	225642-SK	Maxon		M11
MMC1054	260392-SK	Maxon		M11
MMC1055	201695	Maxon		M11
MMC1057	203411	Maxon		M11
MMC1059	260436	Maxon		M11
MMC1063	260370	Maxon		M11
MMC1064	260315	Maxon		M11
MMC1071	280369	Maxon		M11
MMC1072	201629	Maxon		M11
MMC1073	201680	Maxon		M11
MMC1074	213085	Maxon		M11
MMC1075	253874-01	Maxon		M11
MMC1077	260373	Maxon		M11
MMC1112	905237	Maxon		M8
MMC1113	905239-01	Maxon		M8
MMC1200	290065	Maxon		M6
MMC1202	268027-01	Maxon		M6
MMC1203	905152	Maxon		M6
MMC1204	280806-01	Maxon		M6, M7
MMC1206	908017-01	Maxon		M6, M7
MMC1207	280416	Maxon		M6
MMC1209	908018-01	Maxon		M6, M7
MMC1210	906737-01	Maxon		M6
MMC1211	908016-01	Maxon		M6, M7
MMC1212	268024-01	Maxon		M6
MMC2002	252002	Maxon	32	
MMC2214	222214	Maxon	32	
MMC2789	202789	Maxon		M2
MMC2802	202802	Maxon		M2
MMC3345			20	
MMC3345-1	906822-01	Maxon	20	M7
MMC3345-2	290045	Maxon		M7
MMC3500	227346	Maxon		M2
MMC3501	227407	Maxon		M2
MMC9100	202800	Maxon		M2
MMC9105	202769	Maxon		M2
MMC9106				M2
MMC9108	202796	Maxon		M2
MMC9109				M2
NLI0618	P-2020618	Interlift		I1
NLI0860	P-2020860	Interlift		I1
NLI2345	P-67282345	Interlift		I1
NLI3305	P-1203305	Interlift		I1
NLI3305P	P-1203305P	Interlift		I1
NLI3555	P-1353555	Interlift		I1
NLI4303	P-1404303	Interlift		I1
NLI4565	P-2004565	Interlift		I1
NLI6000	P-1406000	Interlift		I1
NLI6816	P-72916816	Interlift		I1
NLI6816P	P-72916816P	Interlift		I1
NLI8068	P-1298068	Interlift		I1
NLI8264	P-1298264	Interlift		I1
NLM0347-01	280347-01	Maxon		M11
NLM0347-02	280347-02	Maxon		M11
NLM0363	260363	Maxon		M11
NLM0368-02	260368-02	Maxon		M11
NLM0368-03	260368-03	Maxon		M11
NLM0368-04	260368-04	Maxon		M11
NLM0368-05	260368-05	Maxon		M11, M12
NLM0369	260369	Maxon		M11
NLM0610	280610	Maxon		M4, M6
NLM0634-01	280634-01	Maxon		M12
NLM0635-01	280635-01	Maxon		M12
NLM1001				M9
NLM1002				M9
NLM1015	201015	Maxon		M11
NLM1416	221416	Maxon		M11, M12
NLM1606	201606	Maxon		M11
NLM1640	201640	Maxon		M9, M11
NLM1867	221867	Maxon		M9, M11
NLM2406	202406	Maxon		M12
NLM3200	263200-01	Maxon	30, 31	M9
NLM3315	253315-01	Maxon	30, 31	M9
NLM3405-05	203405-05	Maxon		M11
NLM3405-09	203405-09	Maxon		M11, M12

# INDEX



NLP Number	OE Number	OE Mfg	Components Page	Mfg Page
NLM3785	263785	Maxon		M4
NLM4103	264103	Maxon	30, 31	M9
NLM4191	264191	Maxon		M4
NLM4346	264346	Maxon	3	M3
NLM4346	267950-01	Maxon	3	M3
NLM4370-07	224370-07	Maxon		M12
NLM4951	264951	Maxon	3	M3
NLM4951	264951-01	Maxon	3	M3
NLM4951	264951-02	Maxon	3	M3
NLM4951	264951-04	Maxon	3	M3
NLM5011	055011	Maxon		M11
NLM5152	905152	Maxon		M12
NLM5341	215341	Maxon		M9, M11
NLM5342	215342	Maxon		M11
NLM5345	215345	Maxon		M11
NLM6301	280663-01	Maxon	30, 31, 32	M9
NLM6302	280663-02	Maxon	30, 31, 32	M9
NLM6401-02	266401-01	Maxon	31, 32	M9
NLM6401-02	266401-02	Maxon	30, 31	M9, M11, M12
NLM6401-GD				M9
NLM6401-PD				M9
NLM6709-02	906709-02	Maxon		M12
NLM6722-01	906722-01	Maxon		M12
NLM6728-01	906728-01	Maxon		M12
NLM8012	228012	Maxon		M12
NLM8181	268181-01	Maxon		M4, M7
NLT1445	31445	Thieman		T1
NLT1446	31446	Thieman		T1
NLT1447	31447	Thieman		T1
NLW0010	20280010	Waltco	30, 31	W5, W7
NLW0020	20280020	Waltco	30, 31	W7
NLW0022	20280022	Waltco	30, 31	W7
NLW0101	26360101	Waltco		W8
NLW0102	26360102	Waltco		W8
NLW0171	10010171	Waltco		W7
NLW0300	20370300	Waltco		W7
NLW0400	20370400	Waltco		W7
NLW0422	80000422	Waltco		W5, W7
NLW0500	20370500	Waltco		W7
NLW1501	20271501	Waltco		W7
NLW1600	20261600	Waltco		W8
NLW2002	26262002	Waltco		W8
NLW2200	20252200	Waltco		W7
NLW2741	75082741	Waltco	31	W7
NLW2966	75082966	Waltco	31	W7
NLW3202	26263202	Waltco		W8
NLW3318	75083318	Waltco	31	W7
NLW3391	85803391	Waltco		W7
NLW5102	26265102	Waltco		W8
NLW5105	20265105	Waltco		W8
NLW5106	20265106	Waltco		W8
NLW5175	75085175	Waltco		W7
NLW6215	75086215	Waltco		W7
NLW7001	80000736	Waltco		W5, W7
NLW7002	80000735	Waltco		W5, W7
NLW7003	80000969	Waltco		W5, W8
NLW7004	80000969	Waltco		W5, W8
NLW7005	80000431	Waltco		W8
NLW7010	20295401	Waltco		W5, W7
NLW9330	75089330	Waltco		W8
NLW9541	75089541	Waltco		W7
NLW9542	75089542	Waltco		W7
NLW9547	75089547	Waltco		W8
P10040	P10040	Leyman		L15, L17
P10526	P10526	Leyman		L15, L17
P10572	P10572	Leyman		L17
P11039	P11039	Leyman		L9
P11048	P11048	Leyman		L9, L15, L17
P15540	P15540	Leyman		L15, L17
P17518	P17518	Leyman		L13, L15, L17
P17563	P17563	Leyman		L9
P18519	P18519	Leyman		L17
P18523	P18523	Leyman		L9, L17
P19519	P19519	Leyman		L13
P22899	P22899	Leyman		L30
P23501	P23501	Leyman		L15, L17

NLP Number	OE Number	OE Mfg	Components Page	Mfg Page
P23502	P23502	Leyman		L15, L17
P23504	P23504	Leyman		L17
P23510	P23510	Leyman		L15, L17
P23511	P23511	Leyman		L9
P23526	P23526	Leyman		L9
P23535	P23535	Leyman		L13
P23538	P23538	Leyman		L17
P24019	P24019	Leyman		L11
P25136	P25136	Leyman		L5, L13
P25176	P25176	Leyman		L13
P25178	P25178	Leyman		L5
P25179	P25179	Leyman		L5
P25181	P25181	Leyman		L5
P26004	P26004	Leyman		L9
P26017	P26017	Leyman		L9, L17
P26020	P26020	Leyman		L9, L11
P26021	P26021	Leyman		L9
P26022	P26022	Leyman		L5
P26501	P26501	Leyman		L17
P26504	P26504	Leyman		L15
P26506	P26506	Leyman		L17
P27030	P27030	Leyman		L15
P30519	P30519	Leyman		L30
P33006	P33006	Leyman		L11, L15, L17
P33007	P33007	Leyman		L17
P33008	P33008	Leyman		L15
P33064	P33064	Leyman		L11, L17
P33101	P33101	Leyman		L15, L17
P33199	P33199	Leyman		L15, L17
P33208	P33208	Leyman		L15, L17
P33209	P33209	Leyman		L11
P33216	P33216	Leyman		L17
P33217	P33217	Leyman		L11, L15, L17
P33218	P33218	Leyman		L15
P33547	P33547	Leyman		L9, L11
P33616	P33616	Leyman		L15, L17
P33619	P33619	Leyman		L11
P33633	P33633	Leyman		L30
P33646	P33646	Leyman		L11
P33651	P33651	Leyman		L30
P33652B	P33652B	Leyman		L30
P33654	P33654	Leyman		L30
P33662	P33662	Leyman		L30
P33663	P33663	Leyman		L30
P33664	P33664	Leyman		L30
P33667	P33667	Leyman		L30
P33671	P33671	Leyman		L11
P33710	P33710	Leyman		L11, L17
P33711	P33711	Leyman		L11
P33744	P33744	Leyman	30	
P33745	P33745	Leyman		L30
P33750	P33750	Leyman		L11
P33771	P33771	Leyman		L17
P33780	P33780	Leyman		L15
P33790	P33790	Leyman		L5
P33844	P33844	Leyman	30	
P33857	P33857	Leyman		L9, L11
P33871	P33871	Leyman		L17
P33874	P33874	Leyman		L5
P33875	P33875	Leyman		L5
P33876	P33876	Leyman		L5
P33877	P33877	Leyman	30	L9, L11
P33896	P33896	Leyman		L30
P33902	P33902	Leyman		L15, L17
P33914	P33914	Leyman		L11
P33931	P33931	Leyman	30	L9, L11
P33954	P33954	Leyman		L13, L15
P33956	P33956	Leyman		L13, L15
P33962	P33962	Leyman		L13, L15
P33967	P33967	Leyman		L5, L6, L7
P33971	P33971	Leyman		L7
P33972	P33972	Leyman		L7, L21
P33981	P33981	Leyman		L7
P33982	P33982	Leyman		L7
P33982A	P33982A	Leyman		L30
P33988	P33988	Leyman	30	L5





# INDEX

NLP Number	OE Number	OE Mfg	Components Page	Mfg Page
P33989	P33989	Leyman	30	L5
P33990	P33990	Leyman	30	L5
P33991	P33991	Leyman		L5, L6, L7
P33992	P33992	Leyman		L7
P33994	P33994	Leyman		L17
P34002	P34002	Leyman		L17
P34004	P34004	Leyman		L17
P34005	P34005	Leyman		L17
P34009	P34009	Leyman		L17
P34016	A130052	Anthony	8	A1
P34016	P34016	Leyman	8	L2, L7, L13, L17
P34018	P34018	Leyman		L7
P34020	P34020	Leyman		L17
P34022	P34022	Leyman		L17
P34023	P34023	Leyman		L17
P34033	P34033	Leyman		L17
P34034	P34034	Leyman		L13, L17
P34035	P34035	Leyman		L13, L17
P34036	P34036	Leyman		L13, L17
P34074	P34074	Leyman		L2
P38543	P38543	Leyman		L9
P38546	P38546	Leyman		L9
P43567	P43567	Leyman		L9
P43575	P43575	Leyman		L5
P43576	P43576	Leyman		L5
P43578	P43578	Leyman		L5
P46017	P46017	Leyman		L17
P46030	P46030	Leyman		L9
P46127	P46127	Leyman		L13, L17
P46156	P46156	Leyman		L17
P46192	P46192	Leyman		L17
P46301	P46301	Leyman		L13
P46318	P46318	Leyman		L17
P46340	P46340	Leyman		L30
P46358A	P46358A	Leyman		L30
P46403	P46403	Leyman		L13, L17
P46441	APL2740	NLP	4	
P46441	P46441	Leyman	4	
P46442	P46442	Leyman	4	
P46442	APL2765	NLP	4	
P46443	P46443	Leyman		L13
P46445	P46445	Leyman		L13
P46471	P46471	Leyman		L17
P46474	P46474	Leyman		L13
P46507	P46507	Leyman		L17
P46546	P46546	Leyman		L13
P46580	P46580	Leyman		L30
P46608	P46608	Leyman		L13
P46614	P46614	Leyman		L7, L13
P46724	P46724	Leyman	4	
P47500	P47500	Leyman		L11
P48192	P48192	Leyman		L15
P49082	P49082	Leyman		L13
P49089	P49089	Leyman		L13
P55335	P55335	Leyman		L13
P55336	P55336	Leyman		L13
S055-002.000	S055-002.000	Leyman		L9
S754-003.500	S754-003.500	Leyman		L11
S754-005.500	S754-005.500	Leyman		L9
S790-060.000	S790-060.000	Leyman		L9
TOM0987	987	Tommy		TG1
USL4022-1B	USL4022-1B	Leyman		L13
WAL2512	70092512	Waltco		W3
WHL2860	70189860	Waltco		W4
WHL2900	75082611	Waltco		W4
WPL0038	10380050	Waltco	33	
WPL0050	22280050	Waltco	33	
WPL0111	43340111	Waltco	33	
WPL0117	43330117	Waltco	33	
WPL0123	43010123	Waltco	33	
WPL0578	43020578	Waltco	33	
WPL1048	10480050	Waltco	33	
WPL1408	14080050	Waltco	33	
WPL1428-5	14280050	Waltco	33	
WPL1428-9	14380090	Waltco	33	
WPL1438-5	14380050	Waltco	33	

NLP Number	OE Number	OE Mfg	Components Page	Mfg Page
WPL1438-9	14380090	Waltco	33	
WPL1448-5	14480050	Waltco	33	
WPL1448-9	14480090	Waltco	33	
WPL2028-5	20280050	Waltco	33	
WPL2028-9	20280091	Waltco	33	
WPL2133	43012133	Waltco	33	
WPL2218	22180050	Waltco	33	
WPL2228	22280010	Waltco	33	
WPL2258-5	22580050	Waltco	33	
WPL2258-6	22580060	Waltco	33	
WPL2278-5	22780050	Waltco	33	
WPL2278-6	22780060	Waltco	33	
WPL2358	23580010	Waltco	33	
WPL2648	26480010	Waltco	33	
WPL2658	26580010	Waltco	33	
WPL2738	27380010	Waltco	33	
WPL2745	80000425	Waltco	3	W2
WPL2758-1	27580010	Waltco	33	
WPL2758-2	27580020	Waltco	33	
WPL2808	28080000	Waltco	33	
WPL3178	31780050	Waltco	33	
WPL3308	33080050	Waltco	33	
WPL3358	33580050	Waltco	33	
WPL3568	35680050	Waltco	33	
WPL4048	40480050	Waltco	33	
WPL6132	43016132	Waltco	33	
WPL6800	43216800	Waltco	33	
WPL8022	43068022	Waltco	33	
WPL8025	43068025	Waltco	33	
WPL8738	42668738	Waltco	33	
WPL9325	42669325	Waltco	33	
WPM0050	35480050	Waltco	33	
WPM0051	37480051	Waltco	33	
WPM1281	20280010	Waltco	33	
WPM1323	70400003	Waltco		W4, W5
WPM1350	70400027	Waltco		W3
WPM1356	20280020	Waltco	33	
WPM1357	20280022	Waltco	33	
WPM1398	70401456	Waltco		W3
WPM1403	70401476	Waltco		W5
WPM1404	70401477	Waltco		W5
WPM1423	20280090	Waltco	33	
WPM2064	32680050	Waltco	33	
WPM2068	32480011	Waltco	33	
WPM2449	80000844	Waltco	3	W2
WPM2506	70092501	Waltco		W5
WPM2507	70092517	Waltco		W5
WPM2507	70401478	Waltco		W5
WPM2508	70092503	Waltco		W5
WPM2511	32680051	Waltco	33	
WPM2700	32480012	Waltco	33	
WPM8050	39580050	Waltco	33	
WPU0320	70430320	Waltco		W3
WPU0430	70430430	Waltco		W3

**CALL NLP TODAY**



**800.727.8543**  
**513.330.7700**

Experience immediate, friendly service from product experts

# INDEX



OE Number	NLP Number	OE Mfg	Components Page	Mfg Page
2KW	504377	Smith	15	
3KW	504744	Smith	15	
6-4617	MCB8500	Tommy		TG1
6-4624	MCB8506	Tommy		TG1
18-4362	BPP0019-7	Tommy	24	TG1
40-1036	APL2250	Tommy	10	TG1, TG2
42 Fenner	AMT0090	Tommy	12, 17	
42 Fenner	AMT0097	Tommy	12, 17	
42-4320	BMT0022	Tommy	13	TG1, TG2, TG3
42-4320	BMT0027	Tommy	13, 17	TG1, TG2, TG3
43-46	AMT0077	Tommy	13	
111-174E	APL4001	Autocrane	9	
111-179E	APL4000	Autocrane	9	
958	BMT0022	Tommy	13	TG1
958	BMT0027	Tommy	13, 17	TG1
967	APL3000	Tommy	8	TG1
968	BPP0019-7	Tommy	24	TG1
987	TOM0987	Tommy		TG1
1030	BPL2250	Maxon	10	
2939	MCB8500	Tommy		TG1
3134	MCB8506	Tommy		TG1
4322	BPL2254	Thieman	10	T1
4403	BPP3140	Thieman	23, 28	
4404	BPP0042-3	Thieman		T3
4405	BPP4913	Thieman	29	
4407	BPP4920	Thieman	29	
4412	AMF3330	Thieman	18	
4413	AMF3345	Thieman	18	
4445	BMF3330	Thieman	19	T1
4447	APL3014	Thieman	8	T1
7536	AMT0404	Warn	16	
7536	AMT0470	Superwinch	16	
7682	AMT0470	Superwinch	16	
8403	AMT0406	Warn	16	
12171-160	BMF0600	Tommy		TG2
08003	BMT0133THD	Leyman	14	L1
08196	BMT0133THD	Leyman	14	L1
31445	NLT1445	Thieman		T1
31446	NLT1446	Thieman		T1
31447	NLT1447	Thieman		T1
31560	AMT0406	Warn	16	
38894	AMT0406	Warn	16	
53373	APP3300	Maxon	27	
53375	APP2100	Maxon	21	
53395	APL3000	Maxon	8	
53438	APP3140	Maxon	26	
53500	AMT0077	Maxon	13	M1
97240-X	BPL3000	Maxon	8	
030039	MMC1020	Maxon		M8
030555	MMC1021	Maxon		M8
030556	MMC1022	Maxon		M8
030937	MMC1012	Maxon		M8
055011	NLM5011	Maxon		M11
102112	102112	Leyman		L25
102119	102119	Leyman		L21
102158	102158	Leyman		L25
102192	102192	Leyman		L21
112118	112118	Leyman		L21
195436	503588	Maxon	15	
201015	NLM1015	Maxon		M11
201606	NLM1606	Maxon		M11
201629	MMC1072	Maxon		M11
201638	MMC1044	Maxon		M11
201640	NLM1640	Maxon		M9, M11
201680	MMC1073	Maxon		M11
201695	MMC1055	Maxon		M11
202318	MAX2318	Maxon	32	
202319	MAX2319	Maxon	32	
202322	MAX2322	Maxon	32	
202406	NLM2406	Maxon		M12
202769	MMC9105	Maxon		M2
202789	MMC2789	Maxon		M2
202796	MMC9108	Maxon		M2
202800	MMC9100	Maxon		M2
202802	MMC2802	Maxon		M2
203405-05	NLM3405-05	Maxon		M11

OE Number	NLP Number	OE Mfg	Components Page	Mfg Page
203405-09	NLM3405-09	Maxon		M11, M12
203411	MMC1057	Maxon		M11
203516	203516	Leyman		L19
203526	203526	Leyman		L23
203567	203567	Leyman		L19
203572	203572	Leyman		L19
203876	APP3140	Maxon	26	
204161	204161	Leyman		L29
204515	204515	Leyman		L29
206033	APL2250	Maxon	10	
207037	APP3800	Maxon	27	
207041	APL3010	Maxon	8	
207914-100	MMC1041	Maxon		M11
213085	MMC1074	Maxon		M11
213513	BPL2730	Maxon	5	
214884	APP2560	Maxon	21	
215331	BPL2730	Maxon	5	
215341	NLM5341	Maxon		M9, M11
215342	NLM5342	Maxon		M11
215345	NLM5345	Maxon		M11
221416	NLM1416	Maxon		M11, M12
221867	NLM1867	Maxon		M9, M11
222214	MMC2214	Maxon	32	
222423	AMT0090	Maxon	12, 17	M1
222423	AMT0097	Maxon	12, 17	M1
222988	MMC1046	Maxon		M11
223513	MAX5000	Maxon		M4
223740	BMT0022	Maxon	13	M1
223740	BMT0027	Maxon	13, 17	M1
223740	BMT0029	Maxon	13	M1
223741	BPL3000	Maxon	8	
223747	BPP3300	Maxon	27	
223748	BMF3300	Maxon	19	M2
223749	BPP3800	Maxon	27	
223757	BMF3345	Maxon	19	
223758	BMF3330	Maxon	19	M2
223758	BMF3360	Maxon		M2
223760	BPL2790	Maxon	3	
224370-07	NLM4370-07	Maxon		M12
224849	APL2765	Maxon	4	M3
224912	AMT0077	Maxon	13	M1
225206	APP1008	Maxon	11	
225642-SK	MMC1053	Maxon		M11
225643	MAX5643	Maxon	32	
226254	MAX6254	Maxon	32	
226578	AMT0090	Maxon	12, 17	M1
226578	AMT0097	Maxon	12, 17	M1
226578	AMT0100	Maxon	12, 17	M1
226578	AMT0105	Maxon	12	M1
226579	AMT0100	Maxon	12, 17	M1
226579	AMT0105	Maxon	12	M1
226594	MAX1086	Maxon	20	M2, M6, M8
226889	APL2740	Maxon	3, 4	M3
226889	BPL2763	Maxon	4	
226947	APP1004	Maxon	11	
227004	MMC1032	Maxon		M8
227346	MMC3500	Maxon		M2
227407	MMC3501	Maxon		M2
227659	BPL2713	Maxon	3, 5	
227665	MAX7665	Maxon	32	
228012	NLM8012	Maxon		M12
228625	MAX8625	Maxon	32	
228754	APL9653	Maxon	5	M3
229193	APP3800	Maxon	27	
229196	FMF3390	Maxon	20	M2
229197	FMF3395	Maxon	20	
229198	APL3000	Maxon	8	
229200	FPP1000	Maxon	11	M5
229202	MAX1105	Maxon		M5
229272	BMT0029	Maxon	13	M1, M8
229272	BMT0167	Maxon	13	M1
229272-100	BMT0029T	Maxon	14, 17	M1, M6, M8
229288	FPP1111	Maxon	21	
229822	APP0253	Maxon	22	M4
229824	APP0253	Maxon	22	M4
240079	APP3800	Maxon	27	



# INDEX

OE Number	NLP Number	OE Mfg	Components Page	Mfg Page
240079	APP3800D	Maxon	27	
250071	AMF3345	Maxon	18	
250072	AMF3330	Maxon	18	M1
250074	APP2569	Maxon	21	
250076	FPP1000	Maxon	11	
250077	APP2103	Maxon	21	
250093	BMT0029	Maxon	13	M1, M5
250093	BMT0167	Maxon	13	M1
250093HD	BMT0167	Maxon	13	M1, M5
250095	APP2569	Maxon	21	
250100	APP0250	Maxon	22	M4
250876	BPL2762	Maxon	4	
251739	MMC1030	Maxon		M8
251880	APL3000	Maxon	8	
251884	FPP3301	Maxon		M5
252002	MMC2002	Maxon	32	
252703	AMF3345	Maxon	18	
253109	MAX3109	Maxon	32	
253110	MAX3110	Maxon	32	
253111	MAX3111	Maxon	32	
253171	APP0253	Maxon	22	M4
253315	MAX1017	Maxon	32	
253315-01	MAX2140	Maxon	32	
253315-01	NLM3315	Maxon	30, 31	M9
253338	MAX3338	Maxon	32	
253339	MAX3339	Maxon	32	
253340	MAX3340	Maxon	32	
253353	MAX1085	Maxon	20	M2, M5, M8
253451	MAX3451	Maxon	32	
253511-101	MAX1056	Maxon		M2
253515	MAX5000	Maxon		M4
253874-01	MMC1075	Maxon		M11
253942	MAX1135	Maxon		M2
253975	MAX1028	Maxon	32	
260229	MAX1088	Maxon		M5
260236	MAX1098	Maxon		M5
260250	FPP2100	Maxon		M5
260250	MMC1018	Maxon		M8
260261	FPP1111	Maxon	21	M5
260262	MAX0262	Maxon		M4
260263	MAX1095	Maxon		M4
260270	APL3000	Maxon	8	
260274	MAX1100	Maxon		M5
260275	MAX1087	Maxon		M5
260276	BMF3390	Maxon		M2
260276	FMF3390	Maxon	20	M2
260276	FMF3391	Maxon	20	M2, M5
260315	MMC1064	Maxon		M11
260363	NLM0363	Maxon		M11
260368-02	NLM0368-02	Maxon		M11
260368-03	NLM0368-03	Maxon		M11
260368-04	NLM0368-04	Maxon		M11
260368-05	NLM0368-05	Maxon		M11, M12
260369	NLM0369	Maxon		M11
260370	MMC1063	Maxon		M11
260372	MAX6401-01	Maxon		M11
260372	MMC1051	Maxon	32	
260373	MMC1077	Maxon		M11
260374	MMC0374	Maxon	32	
260392	MMC1052	Maxon	32	
260392-SK	MMC1054	Maxon		M11
260436	MMC1059	Maxon		M11
260451	MAX1145	Maxon		M2
260847	APP3800	Maxon	27	
261106	MAX1095	Maxon		M4, M5
261897	MAX1897	Maxon	32	
261898	MAX1898	Maxon	32	
262256	MAX5000	Maxon		M4
262680	MAX2680	Maxon	32	
262939	APL3020	Maxon	8, 17	M3, M5, M8
262966	MAX2210	Maxon		M5, M8
262999	MMC1041	Maxon		M11
263061	APL3020	Maxon	8, 17	M3
263200-01	MAX2139	Maxon	32	
263200-01	NLM3200	Maxon	30, 31	M9
263369	MMC1006	Maxon		M8

OE Number	NLP Number	OE Mfg	Components Page	Mfg Page
263370	MMC1013	Maxon		M8
263497	MMC1009	Maxon		M8
263499	MMC1010	Maxon		M8
263500	MMC1008	Maxon		M8
263612	MMC1000	Maxon		M8
263714-01	MMC1029	Maxon		M8
263779	MMC1005	Maxon		M8
263785	NLM3785	Maxon		M4
263791	MMC1011	Maxon		M8
263795	MMC1015	Maxon		M8
263798	MMC1016	Maxon		M8
263802	MMC1017	Maxon		M8
263811	MMC1007	Maxon		M8
263814	MMC1014	Maxon		M8
264103	MAX2021	Maxon	32	
264103	NLM4103	Maxon	30, 31	M9
264191	NLM4191	Maxon		M4
264346	NLM4346	Maxon	3	M3
264442	MAX4442	Maxon	32	
264546	MMC1025	Maxon		M8
264548	MMC1024	Maxon		M8
264755	MMC1026	Maxon		M8
264951	NLM4951	Maxon	3	M3
264951-01	NLM4951	Maxon	3	M3
264951-02	NLM4951	Maxon	3	M3
264951-04	NLM4951	Maxon	3	M3
265662	APL3024	Maxon	8, 17	M3
266037-01	MAX6037-01	Maxon	32	
266038-01	MAX6038-01	Maxon	32	
266039-01	MAX3901	Maxon	32	
266401-01	MAX0101	Maxon	32	
266401-01	MAX6401-01	Maxon		M11
266401-01	NLM6401-02	Maxon	31, 32	M9
266401-02	MAX6401-02	Maxon	32	
266401-02	NLM6401-02	Maxon	30, 31	M9, M11, M12
266408-01	MAX0801	Maxon	32	
267733-11	MAX0589	Maxon		M4, M6, M7
267950-01	NLM4346	Maxon	3	M3
268011-01	BMT0034T	Maxon	14	M1
268024-01	MMC1212	Maxon		M6
268027-01	MMC1202	Maxon		M6
268029-01	APL3014	Maxon	8	M7
268029-01	APL3094	Maxon	8, 17	M3, M6
268030-01	APL3096	Maxon	8	M3
268176-01	BMT0029T	Maxon	14, 17	M1, M7
268181-01	NLM8181	Maxon		M4, M7
280055	MAX2041	Maxon		M2
280252	MAX2230	Maxon		M4
280253	MAX2229	Maxon		M4
280347-01	NLM0347-01	Maxon		M11
280347-02	NLM0347-02	Maxon		M11
280369	MMC1071	Maxon		M11
280374	BMT0029T	Maxon	14, 17	M1, M6
280381	BMT0030T	Maxon	14	M1
280394	APL3094	Maxon	8, 17	M3
280404	APL9200	Maxon	9, 17	M6, M7
280416	MMC1207	Maxon		M6
280610	NLM0610	Maxon		M4, M6
280634-01	NLM0634-01	Maxon		M12
280635-01	NLM0635-01	Maxon		M12
280663-01	MAX0663-01	Maxon	32	
280663-01	NLM6301	Maxon	30, 31, 32	M9
280663-02	MAX0663-02	Maxon	32	
280663-02	NLM6302	Maxon	30, 31, 32	M9
280806-01	MMC1204	Maxon		M6, M7
280990-01	MAX9001	Maxon	32	
281035-01	MAX3501	Maxon	32	
281040-01	MAX4001	Maxon	32	
281810-01	BMT0029T	Maxon	14, 17	M1
290019	MAX2212	Maxon		M2
290043	MAX1085	Maxon	20	M2, M6
290045	MMC3345-2	Maxon		M7
290046	FMF3391	Maxon	20	M7
290047	FMF3398	Maxon	20	M7
290048	FMF3396	Maxon	20	M7
290065	MMC1200	Maxon		M6



# INDEX



OE Number	NLP Number	OE Mfg	Components Page	Mfg Page	OE Number	NLP Number	OE Mfg	Components Page	Mfg Page
290089	BMT0030T	Maxon	14	M1	500077	500077	Leyman		L25
300105	AMT0450	Autocrane	16		500368	500368	Leyman		L21
300105-001	AMT0450	Autocrane	16		500487	500487	Leyman		L21
305000	305000	Leyman		L19, L23	500492	500492	Leyman		L21
305739	305739	Leyman		L21	500615	500615	Leyman		L21
305755	305755	Leyman		L21	500722	500722	Leyman		L21, L25
305757	305757	Leyman		L21	500766	500766	Leyman		L21, L25
305758	305758	Leyman		L21	501031	501031	Leyman		L23, L25
305759	305759	Leyman		L21	501033	501033	Leyman		L19, L21
305763	305763	Leyman		L21	501205	501205	Leyman		L21
305764	305764	Leyman		L21	501510	501510	Leyman		L19, L23
305769	305769	Leyman		L21	501714	501714	Leyman		L29
305789	305789	Leyman		L21	501777	501777	Leyman		L27, L29
305952	305952	Leyman		L19, L23	501962	501962	Leyman		L19, L23
305973	305973	Leyman		L25	502119	502119	Leyman		L19, L23
305974	305974	Leyman		L25	502121	502121	Leyman		L19, L23
305975	305975	Leyman		L25	502407	502407	Leyman		L19, L23
305976	305976	Leyman		L25	502475	503911	Leyman		L1, L29
305989	305989	Leyman		L25	502611	502611	Leyman		L27
305990	305990	Leyman		L25	502850	502850	Leyman		L29
305991	305991	Leyman		L25	502926	502926	Leyman		L27
305992	305992	Leyman		L25	502927	502927	Leyman		L27
305997	305997	Leyman		L25	503147	503147	Leyman		L21
306185	306185	Leyman		L29	503227	503227	Leyman		L29
306552	306552	Leyman		L29	503279	503279	Leyman		L19, L23
307121	307121	Leyman		L29	503282	503282	Leyman		L19, L23
339198	APL3010	Maxon	8		503334	503334	Leyman		L29
407229	407229	Leyman		L29	503335	503335	Leyman		L29
407609	407609	Leyman		L29	503506	503506	Leyman		L27
407973	407973	Leyman		L19	503526	503526	Leyman		L21, L25
407974	407974	Leyman		L19	503527	503527	Leyman		L21
407975	407975	Leyman		L19	503528	503528	Leyman		L21, L25
407995	407995	Leyman		L21	503529	503529	Leyman		L21
408124	408124	Leyman		L27	503530	503530	Leyman		L21
408176	408176	Leyman		L27	503531	503531	Leyman		L21
408317	408317	Leyman		L19	503532	503532	Leyman		L21
408326	408326	Leyman		L19, L23	503535	503535	Leyman		L21
408327	408327	Leyman		L19	503536	503536	Leyman		L21, L25
408328	408328	Leyman		L19, L23	503553	503553	Leyman		L19, L23
408360	408360	Leyman		L21	503588	503588	Leyman	15	L1
408373	408373	Leyman		L25	503592	503592	Leyman		L19
408379	408379	Leyman		L23	503598	503598	Leyman		L27
408381	408381	Leyman		L23	503704	503704	Leyman		L27
408396	408396	Leyman		L23	503710	503710	Leyman		L25
408397	408397	Leyman		L23	503711	503711	Leyman		L25
408501	408501	Leyman		L29	503712	503712	Leyman		L25
408520	408520	Leyman		L29	503713	503713	Leyman		L25
408535	408535	Leyman		L19	503714	503714	Leyman		L25
408537	408537	Leyman		L19, L23	503715	503715	Leyman		L27
408540	408540	Leyman		L19, L23	503716	503716	Leyman		L27
408546	408546	Leyman		L27	503717	503717	Leyman		L21
408547	408547	Leyman		L27	503744	503744	Leyman		L25
408548	408548	Leyman		L27	503750	503750	Leyman		L25
408549	408549	Leyman		L27	503751	503751	Leyman		L25
408550	408550	Leyman		L27	503768	503768	Leyman		L29
408551	408551	Leyman		L27	503770	503770	Leyman		L29
408552	408552	Leyman		L27	503778	503778	Leyman		L29
408553	408553	Leyman		L27	503782	503782	Leyman		L21, L25, L27
408557	408557	Leyman		L27	503911	503911	Leyman		L1, L29
408558	408558	Leyman		L27	503921	503921	Leyman		L25
408559	408559	Leyman		L27	503922	503922	Leyman		L25
408560	408560	Leyman		L27	503951	503951	Leyman		L29
408561	408561	Leyman		L29	503960	503960	Leyman		L19, L23
408577	408577	Leyman		L27	504137	504137	Leyman		L29
408587	408587	Leyman		L29	504160	504160	Leyman		L29
408736	408736	Leyman		L27	504161	504161	Leyman		L29
408737	408737	Leyman		L27	504162	504162	Leyman		L29
409375	409375	Leyman		L29	504163	504163	Leyman		L29
418355	418355	Leyman		L21	504164	504164	Leyman		L29
458001	AMT0401	Ramsey	16		504351	504351	Leyman		L29
458001	AMT1401	Ramsey	16		504372	504372	Leyman		L23
500005	500005	Leyman		L25	504373	504373	Leyman		L29
500012	500012	Leyman		L25	504375	504375	Leyman		L29
500029	500029	Leyman		L21	504377	504377	Leyman	15	L29
500030	500030	Leyman		L21	504379	504379	Leyman		L29
500044	500044	Leyman		L25	504501	504501	Leyman		L29



# INDEX

OE Number	NLP Number	OE Mfg	Components Page	Mfg Page
504502	504502	Leyman	L21, L25, L27	
504510	504510	Leyman	L29	
504516	504516	Leyman	L21, L25, L27	
504518	504518	Leyman	L21, L25, L27	
504520	504520	Leyman	L29	
504521	504521	Leyman	L29	
504524	504524	Leyman	L29	
504700	504700	Leyman	L29	
504702	504702	Leyman	L29	
504712	504712	Leyman	L27	
504715	504715	Leyman	L27	
504716	504716	Leyman	L29	
504717	504717	Leyman	L29	
504718	504718	Leyman	L29	
504719	504719	Leyman	L29	
504720	504720	Leyman	L29	
504723	504723	Leyman	L29	
504726	504726	Leyman	L29	
504727	504727	Leyman	L29	
504744	504744	Leyman	15	
504902	504902	Leyman		L29
540003	540003	Leyman	L21, L25, L27	
600010	600010	Leyman	L19, L23	
600013	600013	Leyman	L19, L23	
700006	700006	Leyman	L21	
700012	700012	Leyman	L21, L25	
710021	710021	Leyman	L27	
850015	850015	Leyman	L23	
850027	850027	Leyman	L19	
905100	MMC1019	Maxon		M8
905152	MMC1203	Maxon		M6
905152	NLM5152	Maxon		M12
905237	MMC1112	Maxon		M8
905239-01	MMC1113	Maxon		M8
905291	MMC1023	Maxon		M8
906709-02	NLM6709-02	Maxon		M12
906722-01	NLM6722-01	Maxon		M12
906728-01	NLM6728-01	Maxon		M12
906737-01	MMC1210	Maxon		M6
906821-01	MAX6821-01	Maxon		M7
906822-01	MMC3345-1	Maxon	20	M7
908016-01	MMC1211	Maxon		M6, M7
908017-01	MMC1206	Maxon		M6, M7
908018-01	MMC1209	Maxon		M6, M7
1330180	AMT0301	Eagle	15	
1330180	BMT0022	Eagle	13	
1330180	BMT0027	Eagle	13, 17	
1330185	BMT0320	Eagle	15	
1330330	APL3014	Eagle	8	
1330365	BPP3905	Eagle	24, 28	
1480458	1480458	Leyman		L19
4301550	APL2765	Thieman	4	T1
4301740	APL2765	Thieman	4	T1
4400091	BPP0103	Thieman	24	
4400091	BPP0104	Thieman		T2
4400241	BPP0110	Thieman	25	T3
4400351	BPP0019	Thieman	23	T2
4400371	BPP0042	Thieman	25	T3
4400421	BPP0113-1	Thieman		T2
4400701	BPP0035	Thieman		T2
4400841	BPP0059	Thieman		T2
4400851	BPP0036	Thieman		T2
4400871	BPP0019-6	Thieman	23	T2
4400901	BPP0037	Thieman		T2
4400911	BPP0042	Thieman	25	T3
4420409	BPP3805	Thieman	27	T1
4420410	BPP3800	Thieman	27	T1
4420750	APL2250	Thieman	10	T1
4421302	BHL3014	Thieman	25	T1
4421530	BPP1088	Thieman	21	
4421600	BMF3300	Thieman	19	
4421600	BPP3300	Thieman	27	
4421620	APL3010	Thieman	8	
4421620	APL3014	Thieman	8	T1
4422270	BMF3330	Thieman	19	T1
4422590	BMT0021	Thieman	13	T2

OE Number	NLP Number	OE Mfg	Components Page	Mfg Page
4422590	BMT0127	Thieman	13, 17	T2
4422710	APL3014	Thieman	8	T1
4422720	BPL2713	Thieman	3, 5	T1
4422730	BPL2720	Thieman	3, 5	T1
4422760	BPL2704	Thieman	3	
4422850	BPL2717	Thieman	3	
4422860	BPL2701	Thieman	3	
4422980	BPL2250	Thieman	10	T1
4423310	BMF3345	Thieman	19	
4423450	BPL2297	Thieman	10	
4423520	BMT0022	Thieman	13	T2
4423520	BMT0027	Thieman	13, 17	T2
4423520	BMT0127	Thieman	13, 17	T1
4423521	BMT0127	Thieman	13, 17	T1
4423550	BPL3192	Thieman	24	T1
4423680	BMF3330	Thieman	19	T1
4423690	FMF7132	Thieman	20	T1
4423720	BMT0320	Thieman	15	T2
7043001-01	BMT0032T	Waltco	14	W1
7043002-01	BMT0133THD	Waltco	14	W1
10010171	NLW0171	Waltco		W7
10380050	WPL0038	Waltco	33	
10480050	WPL1048	Waltco	33	
14080050	WPL1408	Waltco	33	
14280050	WPL1428-5	Waltco	33	
14380050	WPL1438-5	Waltco	33	
14380090	WPL1428-9	Waltco	33	
14380090	WPL1438-9	Waltco	33	
14480050	WPL1448-5	Waltco	33	
14480090	WPL1448-9	Waltco	33	
20252200	NLW2200	Waltco		W7
20261600	NLW1600	Waltco		W8
20265105	NLW5105	Waltco		W8
20265106	NLW5106	Waltco		W8
20271501	NLW1501	Waltco		W7
20280010	NLW0010	Waltco	30, 31	W5, W7
20280010	WPM1281	Waltco	33	
20280020	NLW0020	Waltco	30, 31	W7
20280020	WPM1356	Waltco	33	
20280022	NLW0022	Waltco	30, 31	W7
20280022	WPM1357	Waltco	33	
20280050	WPL2028-5	Waltco	33	
20280090	WPM1423	Waltco	33	
20280091	WPL2028-9	Waltco	33	
20295000	BPP0110	Waltco	25	
20295401	NLW7010	Waltco		W5, W7
20370300	NLW0300	Waltco		W7
20370400	NLW0400	Waltco		W7
20370500	NLW0500	Waltco		W7
22180050	WPL2218	Waltco	33	
22280010	WPL2228	Waltco	33	
22280050	WPL0050	Waltco	33	
22580050	WPL2258-5	Waltco	33	
22580060	WPL2258-6	Waltco	33	
22780050	WPL2278-5	Waltco	33	
22780060	WPL2278-6	Waltco	33	
23580010	WPL2358	Waltco	33	
26262002	NLW2002	Waltco		W8
26263202	NLW3202	Waltco		W8
26265102	NLW5102	Waltco		W8
26295000	BPP0100	Waltco	24	
26360101	NLW0101	Waltco		W8
26360102	NLW0102	Waltco		W8
26480010	WPL2648	Waltco	33	
26580010	WPL2658	Waltco	33	
27380010	WPL2738	Waltco	33	
27580010	WPL2758-1	Waltco	33	
27580020	WPL2758-2	Waltco	33	
28080000	WPL2808	Waltco	33	
31780050	WPL3178	Waltco	33	
32480011	WPM2068	Waltco	33	
32480012	WPM2700	Waltco	33	
32680050	WPM2064	Waltco	33	
32680051	WPM2511	Waltco	33	
33080050	WPL3308	Waltco	33	
33580050	WPL3358	Waltco	33	

# INDEX



OE Number	NLP Number	OE Mfg	Components Page	Mfg Page
35480050	WPM0050	Waltco	33	
35680050	WPL3568	Waltco	33	
37480051	WPM0051	Waltco	33	
39002122	APL3000	Waltco	8	
39002134	APL3024	Maxon	8, 17	M3
39200388	BMT0029	Maxon	13	M1
39200398	BMT0029	Maxon	13	M1
39200398	BMT0167	Maxon	13	M1, M5
39200443	BMT0029	Maxon	13	M1
39200467	BMT0029T	Maxon	14, 17	M1
39200486	BMT0029T	Maxon	14, 17	M1
39580050	WPM8050	Waltco	33	
40480050	WPL4048	Waltco	33	
42668738	WPL8738	Waltco	33	
42669325	WPL9325	Waltco	33	
43010123	WPL0123	Waltco	33	
43012133	WPL2133	Waltco	33	
43016132	WPL6132	Waltco	33	
43020578	WPL0578	Waltco	33	
43068022	WPL8022	Waltco	33	
43068025	WPL8025	Waltco	33	
43216800	WPL6800	Waltco	33	
43330117	WPL0117	Waltco	33	
43340111	WPL0111	Waltco	33	
70091255	APL2250	Waltco	10	
70091255	APL2252	Waltco	10	W2
70091262	APP3140	Waltco	26	
70091270	APP3800	Waltco	27	
70091280	APP2100	Waltco	21	
70091613	APP2560	Waltco	21	
70091618	APP1006	Waltco	11	
70091619	APP1008	Waltco	11	
70091622	APP1004	Waltco	11	
70091623	APP1016	Waltco	11	
70091701	BHL3012	Waltco	25	
70091706	BPL3192	Waltco	24	
70091712	BMF9170	Waltco		W4
70091713	APL9400	Waltco	17	W4
70091714	APL3010	Waltco	8	W2
70091714	BPL3000	Waltco	8	
70091717	BMF3300	Waltco	19	
70091717	BPP3300	Waltco	27	W4
70091719	BPP1088	Waltco	21	W4
70091730	BPP2100	Waltco		W4
70091731	BPP2128	Waltco		W4
70091732	BPP2129	Waltco		W4
70091734	BPP3800	Waltco	27	
70091734	BPP3805	Waltco	27	
70091739	BMT0022	Waltco	13	W1, W4
70091739	BMT0027	Waltco	13, 17	W1, W4
70091739	BMT0127	Waltco	13, 17	W1
70091759	APP2103	Waltco	21	L15
70092302	BPL2260	Waltco	10	
70092304	BPL2250	Waltco	10	
70092312	BMT0022	Waltco	13	W1, W4
70092312	BMT0027	Waltco	13, 17	W1, W4
70092313	BMT0021	Waltco	13	W1
70092357	BMF9167	Waltco		W4
70092359	BMT0022	Waltco	13	W1, W4
70092359	BMT0027	Waltco	13, 17	W1, W4
70092401	AMT0301	Waltco	15	W1
70092401	BMT0320	Waltco	15	
70092403	APL3004	Waltco	8	
70092413	BPP3300	Waltco	27	
70092418	BMF3330	Waltco	19	W5
70092419	BMF3345	Waltco	19	
70092420	BMF3338	Waltco	19	
70092421	BMF3335	Waltco	19	
70092423	BMT0320	Waltco	15	
70092501	WPM2506	Waltco		W5
70092503	WPM2508	Waltco		W5
70092504	BMF2131	Waltco		W4
70092507	APL3010	Waltco	8	W2
70092507	APL3094	Waltco	8, 17	W2
70092512	WAL2512	Waltco		W3
70092514	BMT0021	Waltco	13	W1

OE Number	NLP Number	OE Mfg	Components Page	Mfg Page
70092514	BMT0127	Waltco	13, 17	W1
70092517	WPM2507	Waltco		W5
70092531	APL3000	Waltco	8	
70121000	BHL3012	Waltco	25	
70189860	WHL2860	Waltco		W4
70391000	AMT0077	Waltco	13	
70391100	AMT0100	Waltco	12, 17	W1
70391100	AMT0105	Waltco	12	W1
70392000	AMT0077	Waltco	13	
70392800	AMT0100	Waltco	12, 17	W1
70392800	AMT0105	Waltco	12	W1
70392900	AMT0090	Waltco	12, 17	W1
70392900	AMT0097	Waltco	12, 17	W1
70400000	BPP0019	Waltco	23	
70400000	BPP0019-5	Waltco	23	W3
70400000	BPP0019-6	Waltco	23	W3
70400001	BPP4913	Waltco	23, 29	W4
70400002	APL9300	Waltco		W4
70400003	AMF3330	Waltco	18	W5
70400003	WPM1323	Waltco		W4, W5
70400004	BPP3805	Waltco	27	W4
70400006	BPP1088	Waltco	21	W4
70400008	BMF9067	Waltco		W4
70400027	WPM1350	Waltco		W3
70400033	BMF3360	Waltco		W5
70400051	BMF3300	Waltco	19	
70400055	BPP3800	Waltco	27	
70400150	BPP0019-3	Waltco	23	
70400300	BPP0100	Waltco	24	
70400700	BPP0019-5	Waltco	23	W3
70400850	BPP0019-6	Waltco	23	W3
70400853	BPP3156	Waltco	29	W4
70401410	BPP2560	Waltco	21	
70401456	WPM1398	Waltco		W3
70401476	WPM1403	Waltco		W5
70401477	WPM1404	Waltco		W5
70401478	WPM2507	Waltco		W5
70430320	WPU0320	Waltco		W3
70430430	WPU0430	Waltco		W3
75000017	APP3301	Waltco	27	
75000027	APP3300	Waltco	27	
75082611	WHL2900	Waltco		W4
75082741	NLW2741	Waltco	31	W7
75082966	NLW2966	Waltco	31	W7
75083318	NLW3318	Waltco	31	W7
75085175	NLW5175	Waltco		W7
75086215	NLW6215	Waltco		W7
75089330	NLW9330	Waltco		W8
75089541	NLW9541	Waltco		W7
75089542	NLW9542	Waltco		W7
75089547	NLW9547	Waltco		W8
75089770	BPL2762	Waltco	4	
75089798	BPL2770	Waltco	2	
75089799	BPL2774	Waltco	2	
75089800	BPL2772	Waltco	2	
75089805	BPL2713	Waltco	3, 5	
75089808	APL2740	Waltco	3, 4	W2
75089821	APL3004	Waltco	8	
75089822	APL3000	Waltco	8	
75089822	APL3010	Waltco	8	W2, W4
75089831	APL3020	Waltco	8, 17	W2, W4
75089833	APL3024	Waltco	8, 17	W2
75089833	APL3094	Waltco	8, 17	W2
75098340	500828	Waltco	15	W1
75098340	500828-2	Waltco	15	W1
75098340	500828-2	Waltco	13	W1
80000422	NLW0422	Waltco		W5, W7
80000425	WPL2745	Waltco	3	W2
80000431	NLW7005	Waltco		W8
80000692	APL2252	Waltco	10	W2
80000735	NLW7002	Waltco		W5, W7
80000736	NLW7001	Waltco		W5, W7
80000844	WPM2449	Waltco	3	W2
80000969	NLW7003	Waltco		W5, W8
80000969	NLW7004	Waltco		W5, W8
80001065	APL3094	Waltco	8, 17	W2





# INDEX

OE Number	NLP Number	OE Mfg	Components Page	Mfg Page
85803391	NLW3391	Waltco		W7
230504994	230504994	Leyman		L2
A130051	BMT5222	Anthony	15	A1
A130052	P34016	Anthony	8	A1
A130272	AMF3330	Anthony	18	A1
A133141	BPL2755	Anthony	3	A2
A150001	APP0245	Anthony	21	A1
A150001	APP0245	Leyman	22	
A150006	BMF3340	Leyman	19	
A150007	BPL2713	Leyman	3, 5	
A150007	BPL2720	Leyman	3, 5	
A150011	BMF3300	Leyman	19	
A150012	BPP3140	Leyman	23, 28	L7
A150013	BPP3800	Anthony	27	
A150013	BPP3800	Leyman	27	L7, L17
A150018M	BMT0022	Anthony	13	A1
A150018M	BMT0027	Anthony	13, 17	A1
A150019	BPP3300	Leyman	27	L17
A150031	APL9653	Anthony	5	A2
A150031	APL9653	Leyman	5	
A150265	AMT0090	Anthony	12, 17	A1
A150265	AMT0097	Anthony	12, 17	A1
A150477	APL2765	Anthony	4	A1
A150495	APL9015	Anthony	5	A2
A150495	APL9015	Leyman	5	
A150586	APP0245	Anthony	22	A1
A332413	A332413	Leyman		L2
AA-501-247	AMF3330	Leyman	18	
AA-501-305	AA-501-305	Leyman		L9, L11
AA-800-102	AA-800-102	Leyman		L5
AA-800-105	AA-800-105	Leyman		L5
AA-800-107	AA-800-107	Leyman		L5
AA-800-147	AA-800-147	Leyman		L5
AA-800-228	AA-800-228	Leyman		L5
AA-800-230	AA-800-230	Leyman		L5
AA-800-232	AA-800-232	Leyman		L5
AA-800-234	AA-800-234	Leyman		L5
AA-805-145	AA-805-145	Leyman		L2
AA-811-328	AA-811-328	Leyman		L9
AA-999-029	AA-999-029	Leyman		L9
AP-501-267	AP-501-267	Leyman		L15, L17
AP-800-026-1	AP-800-026-1	Leyman		L5
AP-800-027	AP-800-027	Leyman		L5
AP-800-108-1	AP-800-108-1	Leyman		L5
AP-800-121	AP-800-121	Leyman		L5
AP-800-129	AP-800-129	Leyman		L5
AP-800-235	AP-800-235	Leyman		L5
AP-800-236	AP-800-236	Leyman		L5
AP-800-237	AP-800-237	Leyman		L5
AP-808-108	AP-808-108	Leyman		L9
AP-810-049	AP-810-049	Leyman		L19
AP-810-064	AP-810-064	Leyman		L19
AP-810-065	AP-810-065	Leyman		L19
AP-811-200	AP-811-200	Leyman		L9, L11
AR18107	BPL2791	Leyman	3	
AT-501-100-015	AT-501-100-015	Leyman		L15, L17
AT-501-100-018	AT-501-100-018	Leyman		L15, L17
AT-501-100-020	AT-501-100-020	Leyman		L15, L17
AT-501-100-024	AT-501-100-024	Leyman		L5
AT-501-100-035	AT-501-100-035	Leyman		L15, L17
AT-501-100-080	AT-501-100-080	Leyman		L17
AT-501-100-083	AT-501-100-083	Leyman		L11
AT-501-100-090	AT-501-100-090	Leyman		L11
AT-501-100-091	AT-501-100-091	Leyman		L11
AT-501-100-121	AT-501-100-121	Leyman		L11
AT-501-100-123	AT-501-100-123	Leyman		L11
AT-501-100-127	AT-501-100-127	Leyman		L11
AT-501-100-130	AT-501-100-130	Leyman		L11
AT-501-101-025	AT-501-101-025	Leyman		L11
AT-501-284-081	AT-501-284-081	Leyman		L11
AT-501-365-025	AT-501-365-025	Leyman		L11
AT-805-054-001	AT-805-054-001	Leyman		L9
AT-805-054-002	AT-805-054-002	Leyman		L9
ATU101	BPL2717	Anthony	3	A2
ATU101	BPL2717	Leyman	3	L5
ATU101PD	BPL2722	Anthony	3	A2

OE Number	NLP Number	OE Mfg	Components Page	Mfg Page
ATU120	BPL3000	Anthony	8	A1
ATU121	BMF3330	Anthony	19	A1
ATU122	BMF3345	Anthony	19	A1
ATU165	BPL2704	Anthony	3	
ATU307	APL2740	Anthony	3, 4	A2
ATU307	BPL2760	Anthony	3, 4	
ATU307	BPL2763	Anthony	4	
ATU392	BPL2752	Anthony	3	A2
ATU393	BPL2750	Anthony	3	A2
ATU393	BPL2758	Anthony	3	A2
ATU394	BPL2755	Anthony	3	A2
ATU8100	BMT0127	Anthony	13, 17	A1
ATU8112	BMT0021	Anthony	13	A1
BA-501-340	BA-501-340	Leyman		L17
BA-800-037	BA-800-037	Leyman		L5
BA-800-038	BA-800-038	Leyman		L5
BA-800-141	BA-800-141	Leyman		L5
BA-800-159	BA-800-159	Leyman		L5
BA-800-304	BA-800-304	Leyman		L5
BA-805-271	BA-805-271	Leyman		L2
BA-818-199	BPP2560	Leyman	21	L2, L7, L17
BA-818-205	BA-818-205	Leyman		L9
BA-818-206	BA-818-206	Leyman		L9
BP-805-256	BP-805-256	Leyman		L9, L13
BP-805-258	BP-805-258	Leyman		L9, L13
BP-805-286	BP-805-286	Leyman		L13
BP-805-287	BP-805-287	Leyman		L13
CA-551-296	CA-551-296	Leyman		L13
CA-658-128	CA-658-128	Leyman		L13
CA-658-206	CA-658-206	Leyman		L13
CA-800-090	CA-800-090	Leyman		L5
CA-800-244	CA-800-244	Leyman		L5
CA-800-261	CA-800-261	Leyman		L5
CA-800-263	CA-800-263	Leyman		L5
CH1232	BPL2622	Cole Hersee	6	
CH1253	BPL2621	Cole Hersee	6	
CH11041	BPL2601	Cole Hersee	6	
CH11041-06	BPL2611	Cole Hersee	6	
CH11042	BPL2602	Cole Hersee	6	
CH11042-05	BPL2612	Cole Hersee	6	
CH24059	APL3000	Cole Hersee	8	
CH24106	APL3000	Cole Hersee	8	
CH24115	BPL3000	Cole Hersee	8	
CH9276-09	BPL2720	Cole Hersee	5	
CH90030	BPL2713	Cole Hersee	5	
DA-800-094	DA-800-094	Leyman		L5
DP-800-059	DP-800-059	Leyman		L5
HDW1	HDW1	Leyman		L11
LEY2756-1	LEY2756-1	Leyman		L7, L30
LH00094	BMF3330	Leyman	19	L7
LH00121	BMF3335	Leyman	19	
LH00262	BMF3338	Leyman	19	
LH0089	BMF3345	Leyman	19	
LH01143	BPP3800	Leyman	27	
LH02330	BPP1088	Leyman	21	
LH02352	BPP3300	Leyman	27	L17
LH03313	BPL2713	Leyman	3, 5	
LH03336	APL3000	Leyman	8	
LH101	BPL2717	Leyman	3	L5
LH120	APL3010	Leyman	8	
LH121	BMF3330	Leyman	19	L7
LH136	BPL2700	Leyman	3	
LH1850-3500	LH1850-3500	Leyman		L5
LH3774	APL3004	Leyman	8	
LH150015	BPP3800	Leyman	27	
LH150018	BMT0022	Leyman	13	L1
LH150018	BMT0027	Leyman	13, 17	L1, L7
MMY4001	BMT0127	Leyman	13, 17	L1
P10040	P10040	Leyman		L15, L17
P10526	P10526	Leyman		L15, L17
P10572	P10572	Leyman		L17
P11039	P11039	Leyman		L9
P11048	P11048	Leyman		L9, L15, L17
P15540	P15540	Leyman		L15, L17
P17518	P17518	Leyman		L13, L15, L17
P17563	P17563	Leyman		L9

# INDEX



OE Number	NLP Number	OE Mfg	Components Page	Mfg Page	OE Number	NLP Number	OE Mfg	Components Page	Mfg Page
P18519	P18519	Leyman		L17	P33790	P33790	Leyman		L5
P18523	P18523	Leyman		L9, L17	P33791	BPP3140	Leyman	23, 28	
P19519	P19519	Leyman		L13	P33818	BMT0029	Leyman	13	L1
P22899	P22899	Leyman		L30	P33818	BMT0167	Leyman	13	L1, L7, L18, L19
P23501	P23501	Leyman		L15, L17	P33844	P33844	Leyman	30	
P23502	P23502	Leyman		L15, L17	P33857	P33857	Leyman		L9, L11
P23504	P23504	Leyman		L17	P33871	P33871	Leyman		L17
P23510	P23510	Leyman		L15, L17	P33874	P33874	Leyman		L5
P23511	P23511	Leyman		L9	P33875	P33875	Leyman		L5
P23526	P23526	Leyman		L9	P33876	P33876	Leyman		L5
P23535	P23535	Leyman		L13	P33877	P33877	Leyman	30	L9, L11
P23538	P23538	Leyman		L17	P33895	APL3051	Leyman	9, 17	L2
P24019	P24019	Leyman		L11	P33896	P33896	Leyman		L30
P25136	P25136	Leyman		L5, L13	P33902	P33902	Leyman		L15, L17
P25176	P25176	Leyman		L13	P33903	AMT9507	Leyman	15	
P25178	P25178	Leyman		L5	P33914	P33914	Leyman		L11
P25179	P25179	Leyman		L5	P33931	P33931	Leyman	30	L9, L11
P25181	P25181	Leyman		L5	P33939	BMT0320	Leyman	15	L1
P26004	P26004	Leyman		L9	P33942	BPP4922	Leyman	29	
P26017	P26017	Leyman		L9, L17	P33954	P33954	Leyman		L13, L15
P26020	P26020	Leyman		L9, L11	P33956	P33956	Leyman		L13, L15
P26021	P26021	Leyman		L9	P33962	P33962	Leyman		L13, L15
P26022	P26022	Leyman		L5	P33967	P33967	Leyman		L5, L6, L7
P26501	P26501	Leyman		L17	P33971	P33971	Leyman		L7
P26504	P26504	Leyman		L15	P33972	P33972	Leyman		L7, L21
P26506	P26506	Leyman		L17	P33973	BPL2758	Leyman	3	L5, L7
P27030	P27030	Leyman		L15	P33981	P33981	Leyman		L7
P30519	APP2125	Leyman		L7, L30	P33982	AMF3338	Leyman	18	
P30519	P30519	Leyman		L30	P33982	P33982	Leyman		L7
P33006	P33006	Leyman		L11, L15, L17	P33982A	P33982A	Leyman		L30
P33007	P33007	Leyman		L17	P33988	P33988	Leyman	30	L5
P33008	P33008	Leyman		L15	P33989	P33989	Leyman	30	L5
P33064	P33064	Leyman		L11, L17	P33990	P33990	Leyman	30	L5
P33101	P33101	Leyman		L15, L17	P33991	P33991	Leyman		L5, L6, L7
P33199	P33199	Leyman		L15, L17	P33992	P33992	Leyman		L7
P33208	P33208	Leyman		L15, L17	P33992A	BMT0032T	Leyman	14	L1
P33209	P33209	Leyman		L11	P33994	P33994	Leyman		L17
P33216	P33216	Leyman		L17	P34002	P34002	Leyman		L17
P33217	P33217	Leyman		L11, L15, L17	P34004	P34004	Leyman		L17
P33218	P33218	Leyman		L15	P34005	P34005	Leyman		L17
P33547	P33547	Leyman		L9, L11	P34009	P34009	Leyman		L17
P33554	FPP1000	Leyman	11		P34016	P34016	Leyman	8	L2, L7, L13, L17
P33592	AMT9507	Leyman	15		P34018	P34018	Leyman		L7
P33616	P33616	Leyman		L15, L17	P34020	P34020	Leyman		L17
P33619	P33619	Leyman		L11	P34022	P34022	Leyman		L17
P33633	P33633	Leyman		L30	P34023	P34023	Leyman		L17
P33646	P33646	Leyman		L11	P34027A	BMT0133THD	Leyman	14	L1, L13, L17
P33651	APP3151	Leyman	26	L2, L30	P34033	P34033	Leyman		L17
P33651	P33651	Leyman		L30	P34034	P34034	Leyman		L13, L17
P33652B	APP2569	Leyman	21	L2, L7, L15, L30	P34035	P34035	Leyman		L13, L17
P33652B	P33652B	Leyman		L30	P34036	P34036	Leyman		L13, L17
P33654	APP3300	Leyman	27	L30	P34074	P34074	Leyman		L2
P33654	P33654	Leyman		L30	P38543	P38543	Leyman		L9
P33662	AMF1201	Leyman		L30	P38546	P38546	Leyman		L9
P33662	P33662	Leyman		L30	P43567	P43567	Leyman		L9
P33663	AMF1210	Leyman		L30	P43575	P43575	Leyman		L5
P33663	P33663	Leyman		L30	P43576	P43576	Leyman		L5
P33664	AMF1225	Leyman		L30	P43578	P43578	Leyman		L5
P33664	P33664	Leyman		L30	P46017	P46017	Leyman		L17
P33667	APP3800	Leyman	27	L7, L15, L30	P46030	P46030	Leyman		L9
P33667	P33667	Leyman		L30	P46127	P46127	Leyman		L13, L17
P33671	P33671	Leyman		L11	P46150	BPL2601	Leyman	6	L13
P33710	P33710	Leyman		L11, L17	P46156	P46156	Leyman		L17
P33711	P33711	Leyman		L11	P46192	P46192	Leyman		L17
P33744	P33744	Leyman	30		P46301	P46301	Leyman		L13
P33745	APP2100	Leyman	21	L7, L15, L30	P46318	P46318	Leyman		L17
P33745	P33745	Leyman		L30	P46340	AMT0100	Leyman	12, 17	L1, L7, L13, L15, L30
P33750	P33750	Leyman		L11	P46340	AMT0105	Leyman	12	L1
P33757	APP1016	Leyman	11		P46340	P46340	Leyman		L30
P33758	APP1004	Leyman	11		P46344	APL3004	Leyman	8	
P33759	APP1006	Leyman	11	L15	P46358A	P46358A	Leyman		L30
P33771	P33771	Leyman		L17	P46403	P46403	Leyman		L13, L17
P33772	AMF3330	Leyman	18		P46405	APL9015	Leyman	5	L2, L13, L17
P33774	BPP0019	Leyman	23		P46441	APL2740	Leyman	3, 4	L7, L13
P33780	APP1111	Leyman	21		P46441	P46441	Leyman	4	
P33780	P33780	Leyman		L15	P46442	APL2765	Leyman	4	



# INDEX

OE Number	NLP Number	OE Mfg	Components Page	Mfg Page
P46442	P46442	Leyman	4	
P46443	P46443	Leyman		L13
P46445	P46445	Leyman		L13
P46471	P46471	Leyman		L17
P46474	P46474	Leyman		L13
P46507	P46507	Leyman		L17
P46521	BPL2794	Leyman	3	
P46546	P46546	Leyman		L13
P46580	APL9200	Leyman	9, 17	L7, L13, L17, L30
P46580	P46580	Leyman		L30
P46608	P46608	Leyman		L13
P46614	P46614	Leyman		L7, L13
P46724	P46724	Leyman	4	
P47500	P47500	Leyman		L11
P48192	P48192	Leyman		L15
P49082	P49082	Leyman		L13
P49089	P49089	Leyman		L13
P55335	P55335	Leyman		L13
P55336	P55336	Leyman		L13
P-1203305	NLI3305	Interlift		I1
P-1203305P	NLI3305P	Interlift		I1
P-1298068	NLI8068	Interlift		I1
P-1298264	NLI8264	Interlift		I1
P-1320127	503911	Interlift		I1
P-1353555	NLI3555	Interlift		I1
P-1404303	NLI4303	Interlift		I1
P-1406000	NLI6000	Interlift		I1
P-2004565	NLI4565	Interlift		I1
P-2020618	NLI0618	Interlift		I1
P-2020860	NLI0860	Interlift		I1
P-2020866	BMT5762T	Interlift	14	I1
P-67282345	NLI2345	Interlift		I1
P-72916816	NLI6816	Interlift		I1
P-72916816P	NLI6816P	Interlift		I1
RP98220	APL3004	Leyman	8	
S055-002.000	S055-002.000	Leyman		L9
S204T	BMT0034T	Maxon	14	M1
S754-003.500	S754-003.500	Leyman		L11
S754-005.500	S754-005.500	Leyman		L9
S790-060.000	S790-060.000	Leyman		L9
T3-20002-00	APP3800	Tommy	27	TG1
USL4022-1B	USL4022-1B	Leyman		L13

## We ARE Your Best Supplier

- ▶ The Products You Need
- ▶ Always Competitively Priced
- ▶ Always Reliable Quality
- ▶ Immediate, Friendly Service from Product Experts
- ▶ Quantity Discounts



## VISIT NATIONALLIFTGATE.COM

- ▶ Get more detailed information on these and more Quality Liftgate Replacement Parts
- ▶ See Photos, Illustrations and Diagrams
- ▶ Learn more about our complete line of Snowplow Replacement Parts, and Wire & Battery
- ▶ Download our Online Catalogs, complete with Search Capabilities