



SNOWPLOW REPLACEMENT PARTS

C A T A L O G V O L . I V

C A T A L O G V O L . I V

C A T A L O G V O L . I V

800-727-8543



NationalLiftgate.com

The NLP Advantage

EXCEPTIONAL VALUE ON QUALITY REPLACEMENT PARTS

ORDERS PLACED BY 2PM EST SHIP THE SAME DAY

FREE DELIVERY ON ORDERS OVER \$1000

THE PARTS YOU NEED IN STOCK

QUANTITY DISCOUNTS

Questions?

Pick up the phone and talk to our knowledgeable staff:

800-727-8543

TERMS AND CONDITIONS

Credit terms are C.O.D. or credit card unless credit has been established with National Liftgate Parts.

Minimum Order is \$30.00.

Freight Prepaid on orders over \$1000 on stock items for shipments to Continental US, except cutting edges and special order parts.

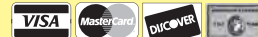
There will be a \$35 charge for NSF checks returned.

All returns must be accompanied by an authorization number subject to approval by National Liftgate Parts. A 20% restocking fee will be applied on returned items in salable condition.

We agree to repair, or at our option, to replace, F.O.B. our warehouse, articles found to be defective in material or workmanship which are brought to our attention within 9 months from date of shipment. No claims for labor or expense required for repair of defective articles or caused by them will be allowed.

Use of original equipment and manufacturers' names and/or part numbers is for identification purposes only, and in no way is meant to imply that National Liftgate Parts products are authorized or in any way affiliated with those manufacturers. National Liftgate Parts items are not made by, sponsored by, or otherwise affiliated with Air-Flow, Anthony, Arctic, Boss, Blizzard, Buyers Products, Curtis, DelAmerica, Desert, Diamond, Eagle, Fisher, Hiniker, Leyman, Maxon, MBB-Interlift, Meyer, Northman, Pierce, Ramsey, Snow-King, Snow Dog, SnoWay, Snowplow Aftermarket Manufacturing (S.A.M.), Thieman, Tommy, Ultron, Venco, Viking, Waltco and Western.

These Terms and Conditions supersede all previous Terms and Conditions.



NATIONAL LIFTGATE PARTS
 6550 Wiehe Road • Cincinnati, OH 45237-4218
 Phone: 513-330-7700 Fax: 513-330-7707

See Our Catalog Online:

1-800-727-8543



PAGE 2

NationalLiftgate.com

09.11

Table of Contents

SNOWPLOW REPLACEMENT PARTS

Components

Motors	4
Guide Sticks.....	6
Cylinders	7
Cutting Edges	8
Spreader Repair Kit.....	14
Pumps.....	15
Remote Controls	16

Manufacturers

FISHER.....	17
Springs, pins, shoes, motors, solenoids, cutting edges, cables and more	
MEYER	23
Cylinders, guide sticks, packing kits, hoses, quick couplers and more	
WESTERN	30
Cylinders, guide sticks, emergency kits, hoses, cartridges, solenoids, gaskets and pumps	

NEW FOR 2011-201238

NLP: We Intend to be Your BEST Supplier!

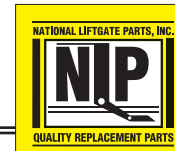


ALSO CALL US FOR:

- Liftgate Replacement Parts
 - Wire & Battery Parts and Accessories
- Now Representing Cole Hersee Parts*

NationalLiftgate.com

1-800-727-8543



PAGE 3

NationalLiftgate.com

09.11

Motors

Replacement Snowplow Motors



AMT0354

Replaces Meyer 4.5" snowplow motor with ground cable.

MEYER #15727
MEYER #15687
MEYER #15829
MEYER #15841
AMJ #4739



AMT0300

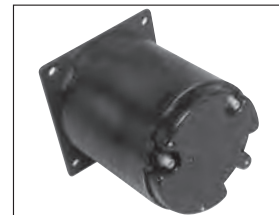
CCW replacement motor. Save on quantity discounts!

MEYER #15054



AMT0370

Very competitively priced Meyer replacement. CCW. MEYER #15054



SNP9107

Priced for real value with high performance. For mini salt spreaders

MEYER #36218
MEYER # 36402
buyer #0202000



SNP9208

12V Sealed Motor with connector. For salt spreaders.

MEYER #08729
BUYER #3005414/3005693

Fisher Replacements



AMT0601

Black motor. Built for long lasting performance. fisher #A5819



AMT0605

Replacement for Fisher EZV. fisher #21500

Other Replacements



AMT0305

Northman OEM CW replacement with the power to pull you through.

northman #40008



AMT0097

NORTHMAN #998126
HINIKER #25010230
SNOWAY



BMT0320

Works with Snowway and others.

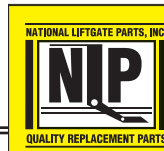
#96105254



SNP1TB

Curtis Replacement. Dual Post.

SPX-1190AC



1-800-727-8543

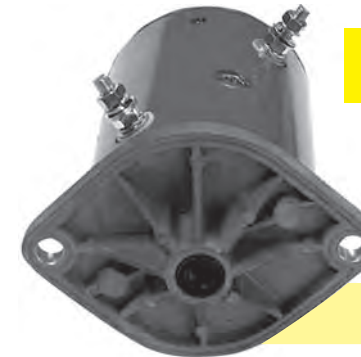
PAGE 4

NationalLiftgate.com

09.11

Motors

Replacement Snowplow Motors

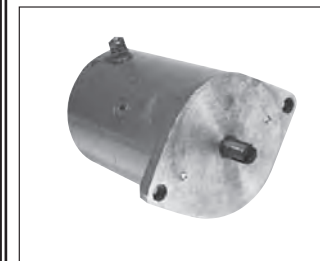


AMT0502

WESTERN #56133

This Value Line motor is our best selling snowplow motor. It has a special terminal for isolated ground to pump. Order 10 & Save!

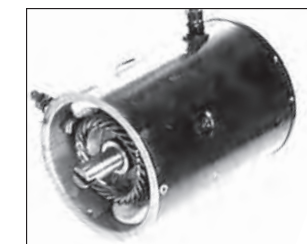
With Grounding Bolt



AMT0570

"Old Style" Western replacement.

WESTERN #25556



AMT0605

Performance you can rely on.

WESTERN #MPV 21500



Snowplow Oil



Specially Formulated for Snowplow Applications
Provides Superior Performance at Extremely Cold Temperatures.

SNP3900

- Handy Flip-Top Pour Spout
- Convenient Quart Containers
- PourPoint -60°
- Viscosity Index 300
- Color - Blue

Start Solenoid



APL3044 BEAR SOLENOID

The 4-post, large DC Bear solenoid has sturdy construction to handle high current. While it's a high performance part, it's also an economical solution for high current switching operations. Used on Blizzard snowplows. Can also be used on dump units.



1-800-727-8543

PAGE 5

NationalLiftgate.com

09.11

Guide Sticks

NLP offers a variety of blade Guide Sticks in kits designed for easy attachment. These are valuable safety tools to help drivers see their way through snow and darkness. Our bright or fluorescent-colored Guide Sticks allow you to visually locate the end of the snowplow to avoid hitting objects and causing equipment damage... which can easily happen during a snowstorm.



OEM #	NLP #	DESCRIPTION
	SNP4901	Fluorescent Orange Kit, 3/4" dia x 36" long
	SNP4902	Fluorescent Orange Kit, 28" long
	SNP4903	Fluorescent Orange Kit, 48" long
09916	SNP6901	Meyer Blade Guide Stick Kit in Bright Yellow
10000	SNP6990	Replacement Tips, Black
59700	SNP7900	Western 24" long with Red Flag
62265	SNP7901	Western Blade Guide Stick Kit in Bright Red
7906K	SNP8901	Fisher Kit in Black

Kits include attachment hardware.

COMMON USES:

- Snowplows
- Truck bumpers
- Trailers
- Other uses requiring a straight rod or visual aid

NLP Has Same-Day Shipping!

When you call by 2:00 P.M. EST

1-800-727-8543



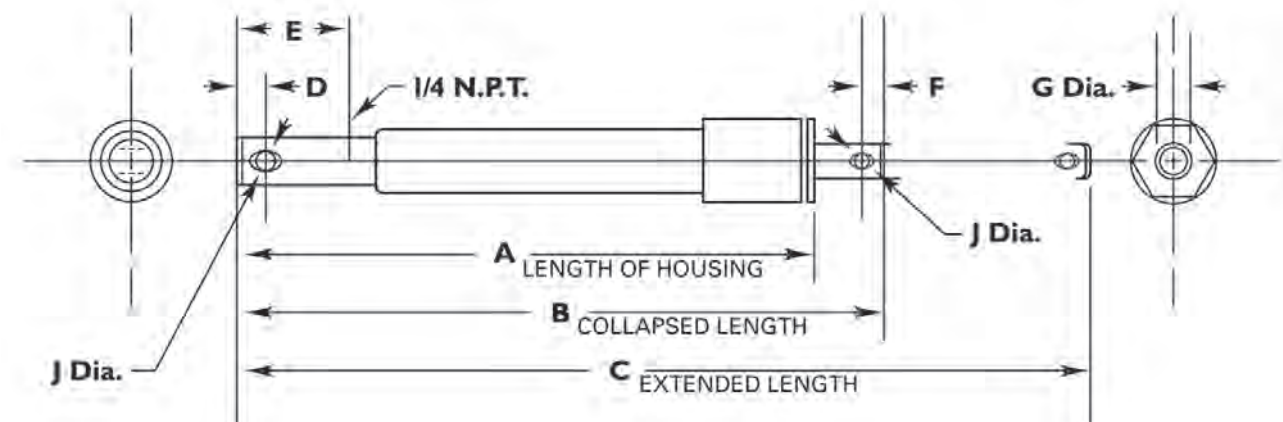
PAGE 6

NationalLiftgate.com

09.11

Cylinders

BROAD LINE PLUS MANY REPAIR KITS!



FISHER	OEM#	NLP #	BORE X STROKE	A	B	C	D	E	G-DIA.	J-DIA.	PORT/ CLEVIS	LBS/ CYL	LIFT ANGLE
	A318	SNP8118	1-1/2x10	16-5/8	18-3/4	28-3/4	3/4	2-11/16	1-1/2	1	In Line	13	L
A3660	SNP8117	1-1/2x12	18-1/2	20-3/4	32-3/4	3/4	2-5/8	1-1/2	1	90° Apart	14	A	
A5166	SNP8166	2x16	22-9/16	24-13/16	40-13/16	3/4	2-9/16	2	1-1/4	In Line	28	A	

MEYER	OEM#	NLP #	BORE X STROKE	A	B	C	D	E	G-DIA.	J-DIA.	PORT/ CLEVIS	LBS/ CYL	LIFT ANGLE
	05437	SNP6112	1-1/2x12	17-11/16	19-1/2	31-1/2	3/4	2-1/8	1-1/2	5/8	In Line	14	A
	05752	SNP6152	2x12	17-1/4	19-1/2	31-1/2	3/4	2-13/16	1-5/8	5/8	In Line	21	A
	05810	SNP6110	1-1/2x10	15-1/2	17-11/16	27-11/16	3/4	2-1/8	1-1/2	5/8	In Line	12	A
	05984	SNP6114	1-1/2x6	11-7/16	13-7/8	19-7/8	3/4	2-1/8	1-1/8	5/8	In Line	9	L
	07968	SNP6117	1-1/2x10	15-1/2	17-11/16	27-11/16	3/4	2		3/4		14	A

WESTERN	OEM#	NLP #	BORE X STROKE	A	B	C	D	E	G-DIA.	J-DIA.	PORT/ CLEVIS	LBS/ CYL	LIFT ANGLE
	25200	SNP7132	1-1/2x6	12-9/16	14-7/16	20-7/16	3/4	2-11/16	1-1/2	3/4	In Line	10	L
	25209	SNP7109	1-1/2x10	16-5/8	18-1/2	28-1/2	1	2-3/4	1-1/2	1	In Line	13	A
	25210	SNP7117	2x6	12-9/16	14-11/16	20-3/4	3/4	2-9/16	2	3/4	In Line	16	L
	25878	SNP7178	2x16	22-9/16	24-13/16	40-13/16	3/4	2-9/16	2	1	In Line	28	A

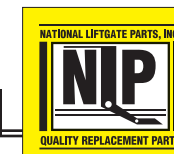
WESTERN*	OEM#	NLP #	BORE X STROKE	A	B	C	D	E	G-DIA.	J-DIA.	PORT/ CLEVIS	LBS/ CYL	LIFT ANGLE
	56538K	SNP7752	1-1/2x8	14-9/16	17	25	3/4	2-1/2	1-1/2	3/4	90° Apart	12	L
	56614	SNP7755	1-1/2x10	19-9/16	18-1/2	28-1/2	3/4	2-1/2	1-1/2	3/4	90° Apart	13	A
	64148	SNP7756	1-1/2x12	18-1/4	21	33	3/4	2-1/2	1-1/2	1	90° Apart	15	A

*SAE O-Ring Port

- Replacement Hydraulic Cylinders for Meyer, Western & Fisher
- Dependable Parts from a Reliable Source
- Great Pricing from NLP
- 90% of Orders Ship Same Day

NLP Has Cylinder Repair Kits Too!

1-800-727-8543



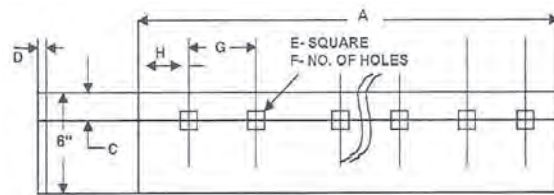
PAGE 7

NationalLiftgate.com

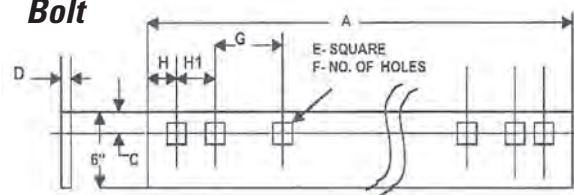
09.11

Cutting Edges

Punch Guide Specifications



Standard Highway Punch Guide with 5/8" Bolt



BLIZZARD	OEM#	NLP#	A	C	Blade Thickness	Bolt Size	# of Holes	G	H	H1	WEIGHT
	B52067	SNP9167	7-1/4'	1-1/2	1/2	1/2	7	16-1/2	2-1/2	31-1/2	76 LBS
B61256	SNP9156	7-1/2'	1-5/8	3/8	1/2	8	14	1-3/4	26-1/2	57 LBS	
B61258	SNP9158	7-1/2'	1-5/8	1/2	1/2	8	14	1-3/4	26-1/2	76 LBS	
B52095	SNP9195	7-3/4'	1	1/2	1/2	7	18-1/4	3-3/4	32-3/4	80 LBS	
B61625	SNP9154	7-3/4'	1	5/8	1/2	7	18-1/4	3-3/4	32-3/4	100 LBS	
B61259	SNP9159	8'	1-1/2	1/2	1/2	8	15	1-3/4	28-1/4	81 LBS	
B61532	SNP9155	8-1/2'	1-5/8	1/2	1/2	8	16	2	30	86 LBS	

BOSS	OEM#	NLP#	A	C	Blade Thickness	Bolt Size	# of Holes	G	H	H1	WEIGHT	Punch Type
	STB03071	SNP4123	7-1/2'	1	3/8	1/2	8	12	3	12	58 LBS	-
STB03002	SNP4121	7-1/2'	1	1/2	1/2	8	12	3	12	77 LBS	-	
STB03003	SNP4122	8'	1	1/2	1/2	10	12	12	4	82 LBS	-	
STB03072	SNP4124	8-1/2'	1	1/2	1/2	10	12	3	6	87 LBS	-	
STB03242	SNP4125	9'	1	1/2	1/2	10	12	9	12	91 LBS	-	
STB07537	SNP4126	10'	1	1/2	5/8	12	12	3	3	101 LBS	HWY	

BOSS V-PLOW	OEM#	NLP#	A	C	Blade Thickness	Bolt Size	# of Holes	G	H	H1	WEIGHT	Punch Type
	BAX00097	SNP4197	*44-7/8'	-	1/2	-	-	-	-	-	-	-
BAX00098	SNP4198	*48-7/8"	-	1/2	-	-	-	-	-	-	-	V-PLOW
BAX00099	SNP4199	*53-7/8"	-	1/2	-	-	-	-	-	-	-	V-PLOW
BAX07627	SNP4127	*59-1/8"	-	5/8	-	-	-	-	-	-	-	V-PLOW

*Represents half of the overall length of the V-Plow

Bolt Kits

-SNP2145 -- 3/8"

Includes 12 Nuts and Bolts

-SNP7345 -- 1/2"

Includes 10 Nuts and Bolts

-SNP6318 -- 5/8"

Includes 12 Nuts and Bolts



1-800-727-8543

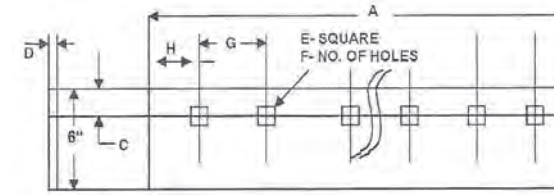
PAGE 8

NationalLiftgate.com

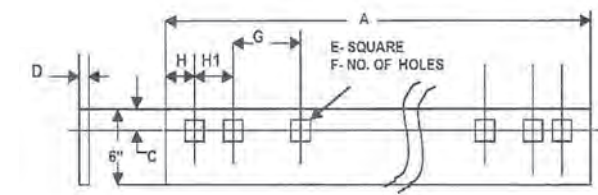
09.11

Cutting Edges

Punch Guide Specifications



Standard Highway Punch Guide with 5/8" Bolt



BUYERS	OEM#	NLP#	A	C	Blade Thickness	Bolt Size	# of Holes	G	H	H1	WEIGHT	MODEL
	16120510	SNP1070	6-3/4'	1-1/4	1/2	1/2	9	12	3	3	51 LBS	
16120520	SNP1075	7-1/2'	1-1/4	3/8	1/2	10	11-1/4	3	3	58 LBS	MD/HD-TE	
16120610	SNP1075HD	7-1/2'	1-1/4	1/2	1/2	10	11-1/4	3	3	77 LBS	EX	
16120620	SNP1080	8'	1-1/4	1/2	5/8	10	12	3	3	82 LBS	HWY	
16120630	SNP1085	8-1/2'	1-1/4	1/2	5/8	10	12-3/4	3	3	87 LBS	EX	
16120640	SNP1090	9'	1-1/4	1/2	5/8	10	12-3/4	3	3	92 LBS	EX	

DIAMOND	OEM#	NLP#	A	C	Blade Thickness	Bolt Size	# of Holes	G	H	H1	WEIGHT
	81100233	SNP3134	18	3	1/2	1/2	3	6	3	-	20 lbs
8011000019	SNP3131	45	3	1/2	3/4	8	6	3	6	39 LBS	
8011000020	SNP3132	51	3	1/2	3/4	7	9	3	12	44 LBS	
09100	SNP3133	78	2	3/8	1/2	6	15	1-1/2	-	49 LBS	

FISHER	OEM#	NLP#	A	C	Blade Thickness	Bolt Size	# of Holes	G	H	H1	WEIGHT	Punch Type
	5532	SNP8332	7-1/2'	1	3/8	1/2	8	12-7/16	1-7/16	-	57 LBS	
5532	SNP8332HD	7-1/2'	-	5/8	1/2	8	12-1/2	-	-	96 LBS		
5533	SNP8333	8'	1	1/2	1/2	8	12-1/2	4-15/32	-	81 LBS		
5533	SNP8333HD	8'	-	5/8	1/2	8	12-1/2	4-15/32	-	101 LBS		
5534	SNP8334	9'	-	1/2	5/8	11	12	3	3	91 LBS	HWY	
5534	SNP8334HD	9'	-	5/8	5/8	12	12	3	3	101 LBS	HWY	
3507	SNP8306	10'	-	1/2	5/8	12	12	3	3	101 LBS	HWY	
3507	SNP8306HD	10'	-	5/8	1/2	12	12	3	3	121 LBS	HWY	

Cutting Edge Bolt Kits

-SNP2145 -- 3/8"

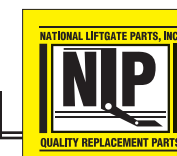
Includes 12 Nuts and Bolts

-SNP7345 -- 1/2"

Includes 10 Nuts and Bolts

-SNP6318 -- 5/8"

Includes 12 Nuts and Bolts



1-800-727-8543

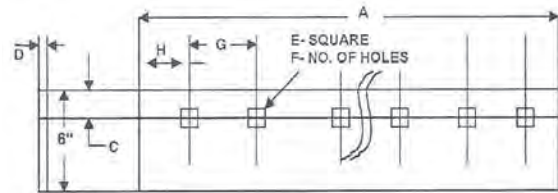
Page 9

NationalLiftgate.com

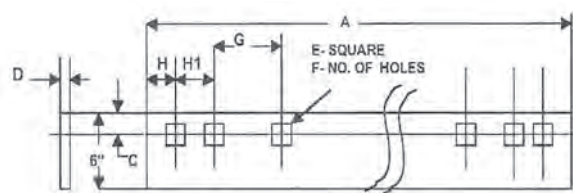
09.11

Cutting Edges

Punch Guide Specifications



Standard Highway Punch Guide with 5/8" Bolt



FISHERY-PLOW	OEM#	NLP#	A	C	Blade Thickness
	44996	SNP8396	*7-1/2	-	1/2
	44997	SNP8397	*8-1/2	-	1/2
	44898	SNP8398	*9-1/2	-	1/2

*Represents the overall length of the V-Plow

HIGHWAY PUNCH	OEM#	NLP#	A	C	Blade Thickness	Bolt Size	# of Holes	G	H	H1	WEIGHT	Punch Type
	American Road	SNP5868AR	8'	1-1/2	5/8	5/8	11	12	3	3	82 LBS	HWY
	Western 58817	SNP7317	9'	1-1/2	1/2	3/4	11	12	3	3	92 LBS	HWY
	Meyer 7259	SNP6359	9'	1-1/4	1/2	5/8	11	12	3	3	91 LBS	HWY
	Fisher 5534	SNP8334	9'	1-1/4	1/2	5/8	11	12	3	3	91 LBS	HWY
	Fisher 1571	SNP8358	9'	1-1/4	5/8	5/8	11	12	3	3	115 LBS	HWY
	Meyer 7235	SNP6335	10'	1-1/4	1/2	5/8	12	12	3	3	101 LBS	HWY
	Western 58818	SNP7318	10'	1-1/2	1/2	5/8	12	12	3	3	101 LBS	HWY
	Western 58818HD	SNP7319	10'	1-1/2	5/8	5/8	12	12	3	3	126 LBS	HWY
	Meyer 7235HD	SNP6335HD	10'	1-1/2	5/8	5/8	12	12	3	3	165 LBS	HWY

MEYER	OEM#	NLP#	A	C	Blade Thickness	Bolt Size	# of Holes	G	H	WEIGHT
	09130	SNP6330	6'	1	3/8	1/2	7	10-3/8	4-7/8	46 LBS
	09100	SNP6300	6-1/2'	2	3/8	1/2	6	15	1-1/2	48 LBS
	09131	SNP6331	6-1/2'	1	3/8	1/2	8	10-3/8	2-11/16	49 LBS
	09132	SNP6332	7'	1	3/8	1/2	7	12-7/16	4-11/16	53 LBS
	09796	SNP6396	7-1/2'	1	3/8	1/2	8	12-7/16	1-15/32	57 LBS
	09796HD	SNP6396HD	7-1/2'	1	1/2	1/2	8	12-7/16	1-15/32	76 LBS
	09133	SNP6333	8'	1	1/2	1/2	8	12-7/16	4-11/16	81 LBS
09134	SNP6334	8-1/2'	1	1/2	1/2	9	12-7/16	1-1/4	86 LBS	

Bolt Kits

-SNP2145 -- 3/8"
Includes 12 Nuts and Bolts

-SNP7345 -- 1/2"
Includes 10 Nuts and Bolts

-SNP6318 -- 5/8"
Includes 12 Nuts and Bolts

1-800-727-8543



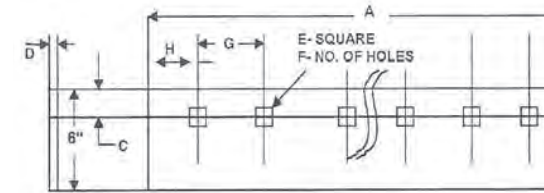
Page 10

NationalLiftgate.com

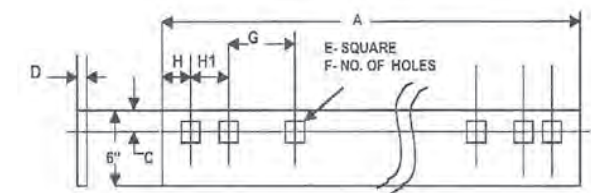
09.11

Cutting Edges

Punch Guide Specifications



Standard Highway Punch Guide with 5/8" Bolt



SNOWWAY	OEM#	NLP#	A	C	Blade Thickness	Bolt Size	# of Holes	G	H	H1	WEIGHT	SERIES
	96103891	SNP2191	44-1/2	1-3/4	1/2	5/8	8	6-3/4	7	6-3/4	43 lbs	
	96101634	SNP2134	6'	1-3/4	3/8	3/8	9	8	4	8	46 LBS	
	96101635	SNP2135	6'8"	3	3/8	3/8	10	8	4	8	52 LBS	
	96107797	SNP2197	6'8"	1-3/4	3/8	3/8	8	12	2	8	52 LBS	
	96107649	SNP2149	6'8"	1-3/4	3/8	5/8	8	12	2	8	68 lbs	26
	96106376											
	96100521	SNP2121	6'8"	1-3/4	1/2	1/2	10	8	4	8	69 LBS	ST 24-25
	96100275											
	96102789	SNP2189	7-1/2'	1-3/4	3/8	3/8	12	8	1	8	57 LBS	
96107798	SNP2198	7-1/2'	1-3/4	3/8	3/8	9	12	2	7	57 LBS		
96100237	SNP2137	7-1/2'	1-3/4	1/2	1/2	12	8	1	8	77 lbs	24-25 MT-HT	
96106668	SNP2168	7-1/2'	1-3/4	1/2	1/2	9	7	2	12	77 lbs	26-29 29T	
96106336												
96106669	SNP2169	8'	1-3/4	1/2	1/2	9	12	2	10	82 LBS	26-29T	
96106337												
96100239	SNP2139	8'	1-3/4	1/2	1/2	12	8	1	8	82 lbs	24-25 MT-HT	
96106307		8-1/2'		1/2								
96106308	SNP2108	9'	1-3/4	1/2	1/2	10	12	2	10	92 LBS		
96101837	SNP2187	9'	1-3/4	1/2	1/2	14	12	3	3	92 LBS		
96106309	SNP2109	10'	1-3/4	1/2	1/2	11	12	2	10	102 LBS		

Bolt Kits

-SNP2145 -- 3/8"
Includes 12 Nuts and Bolts

-SNP7345 -- 1/2"
Includes 10 Nuts and Bolts

-SNP6318 -- 5/8"
Includes 12 Nuts and Bolts

1-800-727-8543



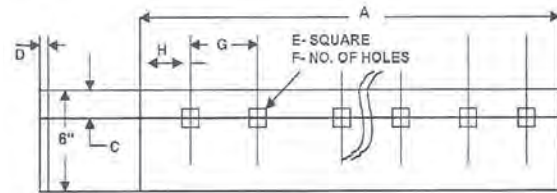
Page 11

NationalLiftgate.com

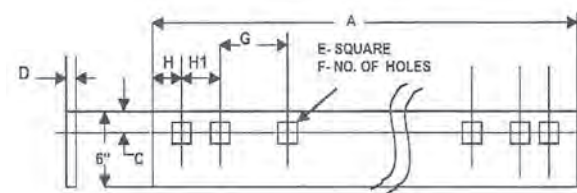
09.11

Cutting Edges

Punch Guide Specifications



Standard Highway Punch Guide with 5/8" Bolt



OEM#	NLP#	A	C	Blade Thickness	Bolt Size	# of Holes	G	H	H1	Weight	Punch Type
62649	SNP7649	50"	1-1/2	1/2	1/2	5	14-1/8	2-3/4	2-3/4	45 LBS	V-PLOW
63678	SNP7678	56"	1-3/8	1/2	1/2	6	14-1/16	2-7/8	2-3/4	46 LBS	V-PLOW
58811	SNP7381	6'	3	3/8	1/2	7	11-1/4	2-1/4	-	46 LBS	CP-REV
58812	SNP7311	6-1/2'	3	3/8	1/2	8	11-1/4	2-5/8	8-1/4	49 LBS	CP-REV
49066	SNP7366	6-1/2'	1	3/8	5/8	8	11-1/4	2-5/8	8-1/4	49 LBS	PRO
49068	SNP7368	6-1/2'	1	1/2	3/8	8	11-1/4	2-5/8	-	49 LBS	
58813	SNP7313	7'	3	3/8	1/2	8	11-1/4	2-5/8	-	53 LBS	CP-REV
49070	SNP7370	7'	1	3/8	5/8	8	11-1/4	2-5/8	-	54 LBS	
49312	SNP7312	7-1/2'	2-1/16	3/8	1/2	8	11-1/4	2-1/2	14-1/4	58 LBS	UM-PP
58814	SNP7314	7-1/2'	3	3/8	1/2	8	11-1/4	2-5/8	14-1/4	57 LBS	CP-REV
49088	SNP7388	7-1/2'	1	1/2	5/8	8	11-1/4	2-5/8	14-1/2	76 LBS	PRO
49076	SNP7376	7-1/2'	1	3/8	5/8	8	11-1/4	2-5/8	14-1/4	57 LBS	PRO
49346											
49328	SNP7328	8'	2-1/16	3/8	1/2	8	13	2-1/2	13	62 LBS	UM-PP
49080	SNP7380	8'	1	3/8	5/8	8	13	2-1/2	-	61 LBS	
49089	SNP7389	8'	1	1/2	5/8	8	13	2-1/2	-	81 LBS	PRO-UM
58815	SNP7315	8'	3	1/2	1/2	8	13	2-1/2	-	81 LBS	CP-REV
49080	SNP7380	8'	1	3/8	3/8	8	13	2-1/2	-	61 LBS	
63985	SNP7985	8-1/2'	1-1/4	1/2	5/8	10	13	2-1/2	3	87 LBS	PRO +
58816	SNP7316	8-1/2'	3	1/2	1/2	8	13	2-1/2	16	87 LBS	CP
49086	SNP7386	8-1/2'	1	1/2	5/8	8	13	2-1/2	16	86 LBS	PRO
49348	SNP7348	8-1/2'	1-1/4	1/2	1/2	8	13	2-1/2	-	86 LBS	
49251	SNP7351	9'	1-1/2	1/2	5/8	10	16	2-1/2	3	92 LBS	PRO
49251	SNP7351	9'	1-1/2	1/2	5/8	10	16	2-1/2	3	92 LBS	PRO
49349	SNP7349	9'	1-1/4	1/2	1/2	10	13	2-1/4	16	92 LBS	UM-PP
63990	SNP7390	9'	1-1/4	1/2	5/8	10	13	3	16	92 LBS	PRO +

Bolt Kits

-SNP2145 -- 3/8"

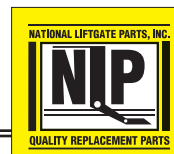
Includes 12 Nuts and Bolts

-SNP7345 -- 1/2"

Includes 10 Nuts and Bolts

-SNP6318 -- 5/8"

Includes 12 Nuts and Bolts



1-800-727-8543

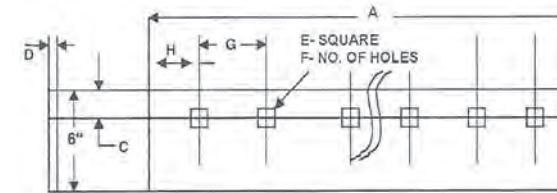
Page 12

NationalLiftgate.com

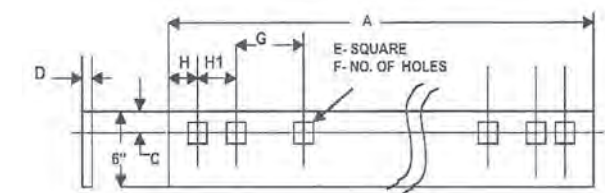
09.11

Specialty Cutting Edges

Punch Guide Specifications



Standard Highway Punch Guide with 5/8" Bolt



Municipalities Edges

CARBIDE	OEM#	NLP#	A	C	Blade Thickness	Bolt Size	# of Holes	G	H	H1	WEIGHT	Punch Type
	BL-CB-36000	SNP3CAR	3'	2	3/4	3/4	5	12	3	3	46 LBS	HWY
	BL-CB-48000	SNP4CAR	4'	2	3/4	3/4	6	12	3	3	62 LBS	HWY

GLEDHILL	OEM#	NLP#	A	C	Blade Thickness	Bolt Size	# of Holes	G	H	H1	WEIGHT	Punch Type
	GH1571-A3	SNP57GH	8'	1-1/2	3/4	5/8	12	12	3	3	105 LBS	HWY
	1571A8	SNP58GH	10'	1-1/2	5/8	5/8	12	12	3	3	170 LBS	HWY
	7784A2	SNP60GH	10'	1-1/2	5/8	5/8	12	12	3	3	128 LBS	HWY
	1908AF	SNP61GH	10'	1-1/2	3/4	3/4	12	12	3	3	153 LBS	HWY
	1571A9	SNP59GH	11'	1-1/2	5/8	5/8	13	12	3	3	187 LBS	HWY

Rubber Edges

RUBBER	OEM#	NLP#	A	C	Blade Thickness	Bolt Size	# of Holes	G	H	H1	Weight	Punch Type
	Fisher 1312220	SNP8326	7-1/2'	10	1-1/2	5/8	8	12-7/16	1-7/16		48 LBS	
	Fisher 1312225	SNP8325	8'	10	1-1/2	5/8	8	12-7/16	4-15/32		49 LBS	
	Meyer 08189	SNP6389	7-1/2'	8	1-1/2	1/2	8	12-7/16	1-15/32		48 LBS	
	Meyer 08190	SNP6390	8'	8	1-1/2	1/2	8	12-7/16	1-15/32		49 LBS	
	Western 608263	SNP7263	7-1/2'	8	1-1/2	5/8	8	11-1/4	2-5/8	14-1/4	44 LBS	
	Western 608291	SNP7291	8'	8	1-1/2	5/8	8	11-1/4	2-5/8	14-1/4	30 LBS	

Bolt Kits

-SNP2145 -- 3/8"

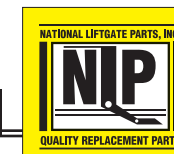
Includes 12 Nuts and Bolts

-SNP7345 -- 1/2"

Includes 10 Nuts and Bolts

-SNP6318 -- 5/8"

Includes 12 Nuts and Bolts



1-800-727-8543

Page 13

NationalLiftgate.com

09.11

Spreader Repair Kit

OR, ORDER BY
INDIVIDUAL PARTS:



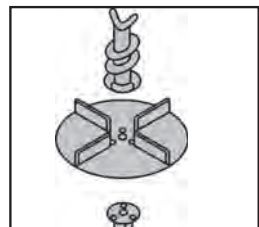
SNP9208

Motor.
MEYER # 08729
BUYER #3005414/
3005693



SNP9107

Motor.
MEYER #36218
BUYER #0202000



SNP9140

Complete Spinner
& Auger Assembly
MEYER #36155
BUYER #0208000

SNP9119 Auger
& Agitator Only
MEYER #36151
BUYER #0202100
SNP9120 Spinner Only
9" dia., 12 gauge,
stainless steel
SNP9121 Hub Only
MEYER #36152
BUYER #0202800

SPECIAL PACKAGE OFFER

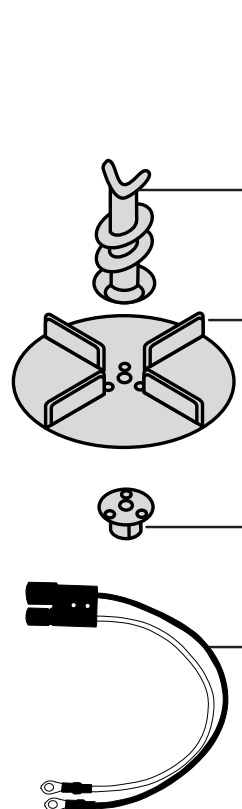
REPLACES MEYER & BUYER
ASK FOR NLP KIT #SNP9150

Get everything you need for a fast repair!

ASK FOR PACKAGE PRICING

Package includes all parts below, plus stainless steel
mounting hardware

**HUGE
SAVINGS**



AUGER:
SNP9119

SPINNER:
SNP9120
9" diameter
12 gauge
stainless steel

HUB:
SNP9121

ELECTRIC
LEAD WIRE:
SNP9133

SNP9133

Motor Lead Wire
MEYER #15727
BUYER #0202800



**MOTOR
#SNP9107**

- Direct drive motor for low amp draw with maximum torque
- Heavy duty sealed ball bearing
- Works with in-cab solid-state speed control

At NLP, we continually look for more ways to ease your job and save you money. Ask about our repair kits and special parts packages to really save and ensure you have all parts ready for emergency repairs.



1-800-727-8543

Page 14

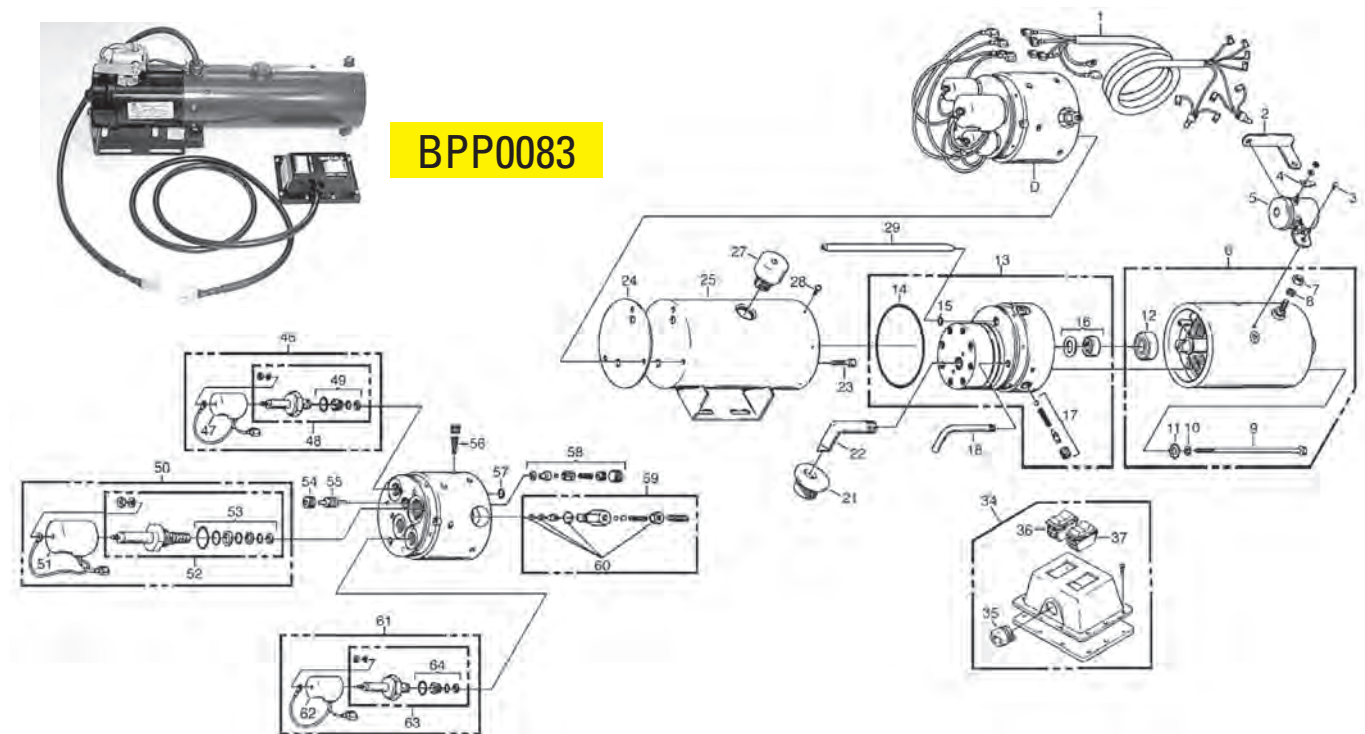
NationalLiftgate.com

09.11

Pumps



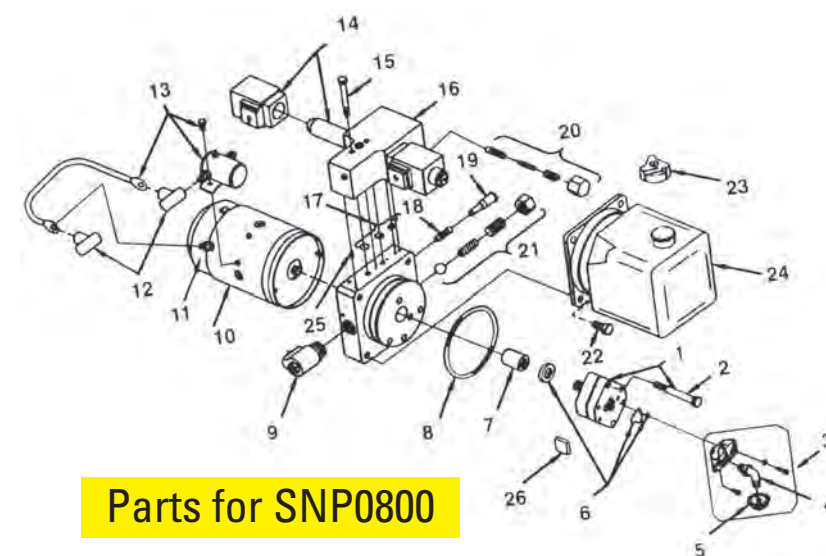
BPP0083



1 Harness	BPL6915
2 Terminal Strap	APL9200
5 Start Solenoid	APL3000
6 Motor	BMT0027
12 Bearing	APP1115
14 O Ring	BPP3300
16 Seal	BPP1088
17 Relief Valve	BMF1200
21 Filter	BPP2100
22 Elbow	BPP2128

27 Breather	BPP3800
34 Switch Box w/Switches	BPL2850
36 Rocker Switch	SNP2716
37 Rocker Switch	SNP2715
45 D Valve Assembly	BMF6950
46 Valve Complete	BMF3330
47 Solenoid	BMF3345
48 Cartridge Valve	BMF3338
49 Screen Kit	BMF3335
50 Valve Complete	BMF3360

51 Coil	BMF3365
52 Cartridge	BMF3368
58 Check Valve	BMF4105
59 Cross Over Relief	BMF3641
61 Spool Valve	BMF3350
62 Coil	BMF3355
63 Cartridge	BMF3358
64 Screen Kit	BMF3335



Parts for SNP0800

1,3,6,7 Pump Kit	APP2569
1 Pump	APP2560
3 Filter Kit	APP2103
4 Elbow	APP2125
5 Filter	APP2100
6 Seal Kit	APP2568
7 Coupler	APP1006
8 O Ring	APP3305
9 Cartridge Valve	AMF3330
10 Motor	AMT0096
	AMT0090
	AMT0097
13 Start Solenoid	APL3000
14 Directional Valve Coil	APL3594
16 Angle Valve	AMF6050
18 Spring & Ball	AMF4140
19 Check Valve	AMF4102
20 Cross Over Relief	AMF6055
21 Relief Valve	AMF1250
23 Breather	APP3805
24 Reservoir	APP3170



1-800-727-8543

PAGE 15

NationalLiftgate.com

09.11

Remote Controls

UNIVERSAL CONTROLS

Choose From Our New Universal Controls

Both of our new controls can be easily adapted to fit Fisher, Meyer, Western, Curtis and Diamond and many other brands.



SNP4220

Large Joystick comes with adapter below. Allows left/right operation when locked in float, which other controls do not offer. Universal control works with any straight plow on our adapter list. Door mounting bracket avail.



SNP4230

Hand-held remote with 4-Button Memory & cord with straight blades to fit many brands. Offers nighttime illumination, use with left or right hand/automatic shut-off (22 min.). Built-in Soft Stop for smooth motion left & right, and 2-sec. float hold.

SNP4221

Mounting hardware for the Joystick. Resin coated to prevent rust.

SNP4231

Holder for 4-Button Remote

UNIVERSAL CONTROL ADAPTERS

NLP Has a Wide Selection of Straight Blade Control Adapters



SNP4240

SNP4240 Universal adapter, comes with 12 quick disconnects, no plug

SNP4241 Western & Fisher adapter, 6 pins

SNP4242 Meyer & Diamond adapter, 6 pins

SNP4243 Hiniker adapter

SNP4244 For SnoWay

SNP4245 For Curtis adapter, 7 pins

SNP4246 Arctic adapter, 7 pins

SNP4247 Snow Dog adapter

SNP4248 For Northman

SNP4249 For Blizzard



SNP4241



SNP4242



SNP4243



SNP4244



SNP4245



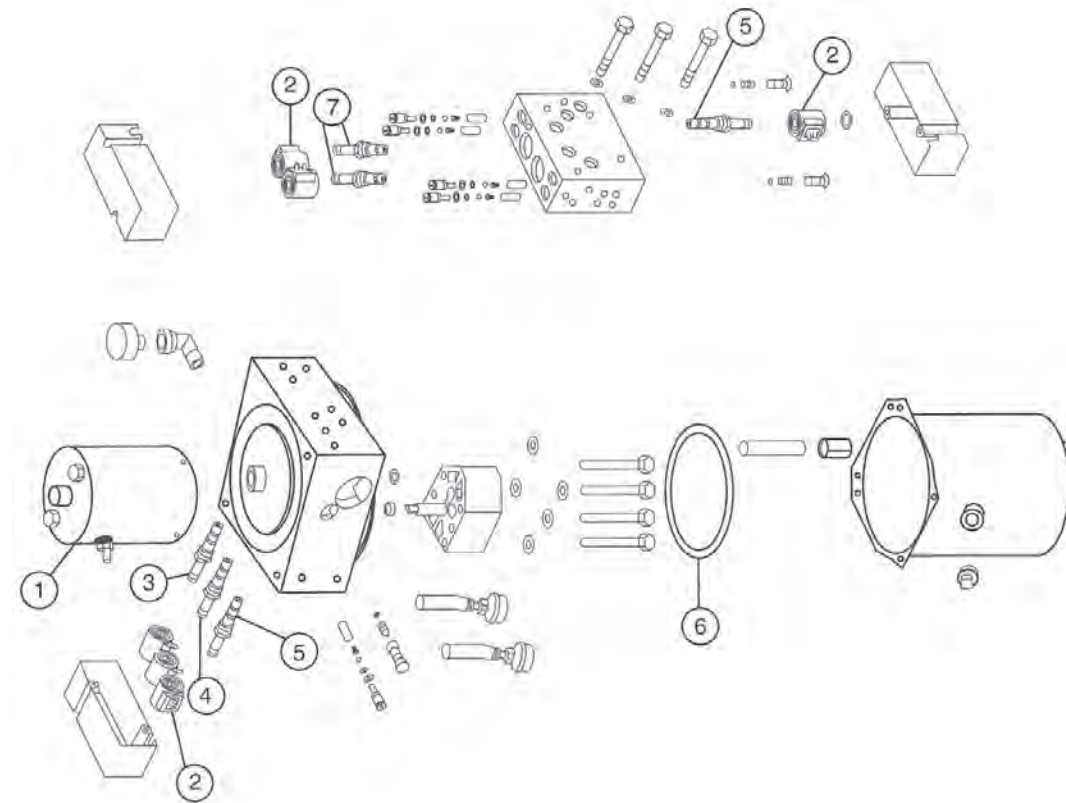
1-800-727-8543

PAGE 16

NationalLiftgate.com

09.11

Fisher EZV



AMT0605



SNP5366



SNP5355



SNP5326



SNP5336



SNP5346

ITEM	FISHER #	NLP #	DESCRIPTION
1	21500	AMT0605	Motor
2	7639	SNP5355	Solenoid Coil with 2 Terminals
3	7634	SNP5326	Cartridge 20 with Nut - 2 Way
4	66783	SNP5366	Cartridge 43 with Nut - 4 Way
5	7637	SNP5346	Cartridge 40 with Nut - 4 Way
6	66519	SNP7719	O Ring
7	7636	SNP5336	Cartridge 30 with Nut - 3 Way

ORDER NOW & SAVE!

Before the Snow Flies!!

QUANTITY DISCOUNTS

Buy More. Save More.



1-800-727-8543

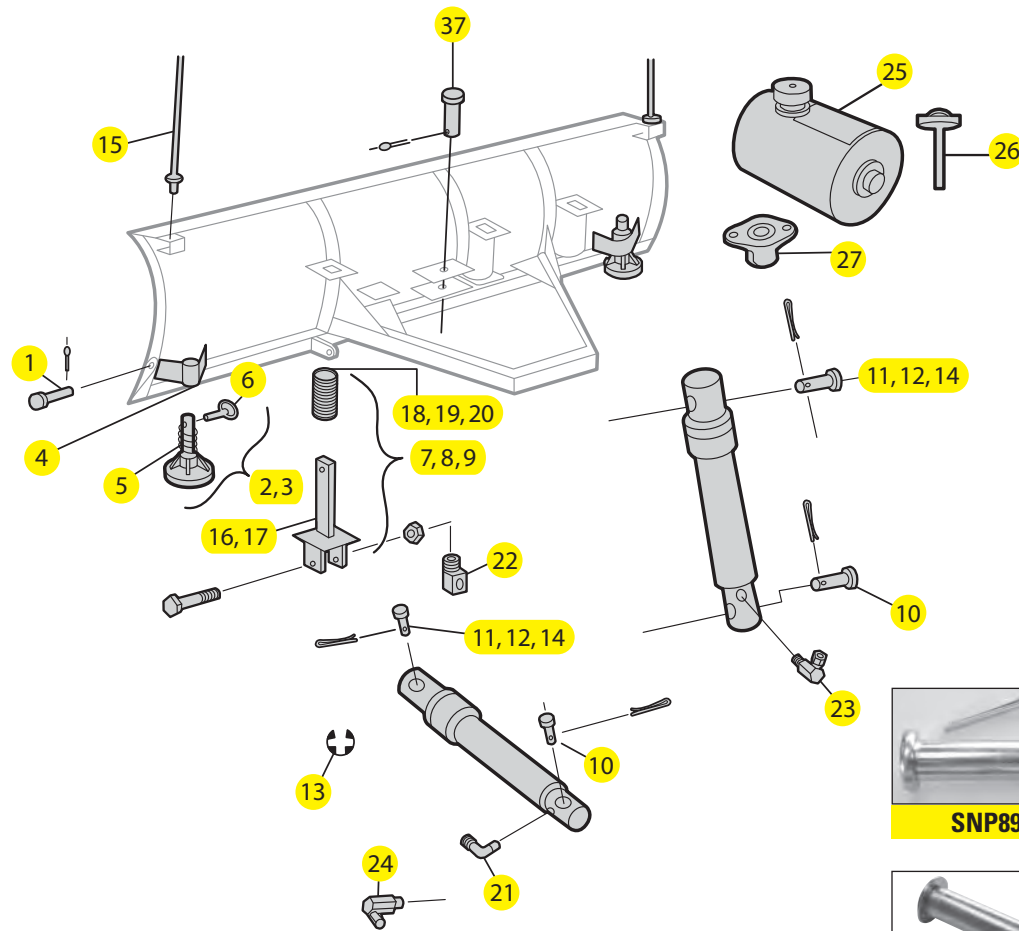
PAGE 17

NationalLiftgate.com

09.11

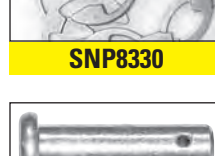
Fisher

Fisher Plow Replacement Parts



ITEM	FISHER #	NLP #	DESCRIPTION
1	5523	SNP8523	Clevis Pin with Cotter
2	A5516	SNP8516	Shoe Assembly, 6" Anti-Wear Type
3	A5517	SNP8517	Shoe Assembly, 7" Anti-Wear Type
4	6821	SNP8821	Shoe Tube Holder
5	307	SNP8307	Spacer Ring, 1 1/2" dia., Zinc Ring
6	308	SNP8308	Shoe Lynch Pin, 7/16" x 2" size
7	26464	SNP8464	Trip Spring Assembly
8	21452	SNP8452	*Spring Bar Assembly (MC Series)
9	A3770	SNP8770	*Spring Bar Assembly (old style)
10	7903K	SNP8903	Anchor Pin with Cotter, 1" x 4" size
11	5142	SNP8142	Pin, 1 1/4" x 5 1/2" size
12	5150	SNP8150	Pin, 1 1/4" x 4 3/4" size
13	330	SNP8330	Retainer for Ring, 1" dia., (10 pcs. per bag)
14	7905	SNP8217	Pivot Pin (L, HS Series)
15	A5108	SNP8901	*Guide Marker
16	6631	SNP8231	*Spring Bar (old style)
17	21450, 20757	SNP8250	*Spring Bar (new style)
18	305	SNP8205	*Spring (G Series)
19	5323	SNP8323	*Spring (MC Series)
20	27406	SNP8406	*Spring (LD, MC, M Series)

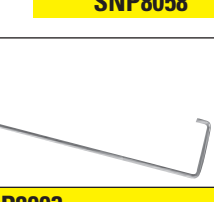
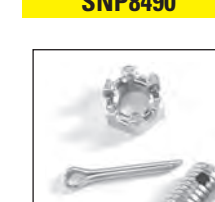
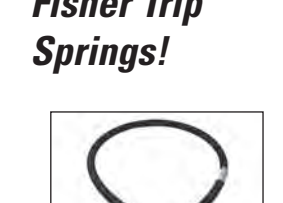
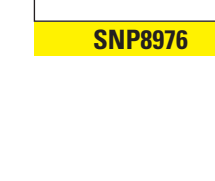
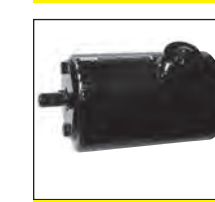
chart continues next page
*not pictured



Fisher

Fisher Plow Replacement Parts *continued*

ITEM	FISHER #	NLP #	DESCRIPTION
21	2780	SNP8780	Street Elbow for Angle Cylinder, 1/4" x 90°, Forged, 1/Pk.
22	765	SNP8765	Street Elbow, 1/4" x 90°, Brass
23	319	SNP8319	Swivel Adapter for Tilt Cylinder, 1/4" x 90°, Brass
24	2315	SNP8315	Adapter, Swivel (Short), 90°, incl. O-ring
25	A2311	SNP8311	Pump/Reservoir Assem. for Hydr. Syst., Repl. FPI & Fisher
26	4461	SNP8461	Cap and Dipstick for Pump Reservoir
27	5824	SNP8824	Base Lug, 1" Hole (F) Kit, incl. Casting and O-Ring
28	8764	SNP8764	*In-line Filter Kit for Snow Plows
29	A5843	SNP8843	*Joystick Cable Control
30	A5844	SNP8844	*Adjustable Joystick Cable, 9 ft. Length
31	A4488	SNP8488	*40" SLC Cable
32	A4490	SNP8490	*90" SLC Cable
33	A4949	SNP8949	*30" SLC Cable
34	3	SNP8003	*Rod to Disconnect A-Frame
35	3058	SNP8058	*Adapter, 1/4" NPT to 9/16" O-Ring for Hydraulic Fittings
36	21976	SNP8976	*Battery Connector
37	A1122	SNP8122	Bolt Assembly, Quad Pivot



**We Now Have
Fisher Trip
Springs!**

Fisher



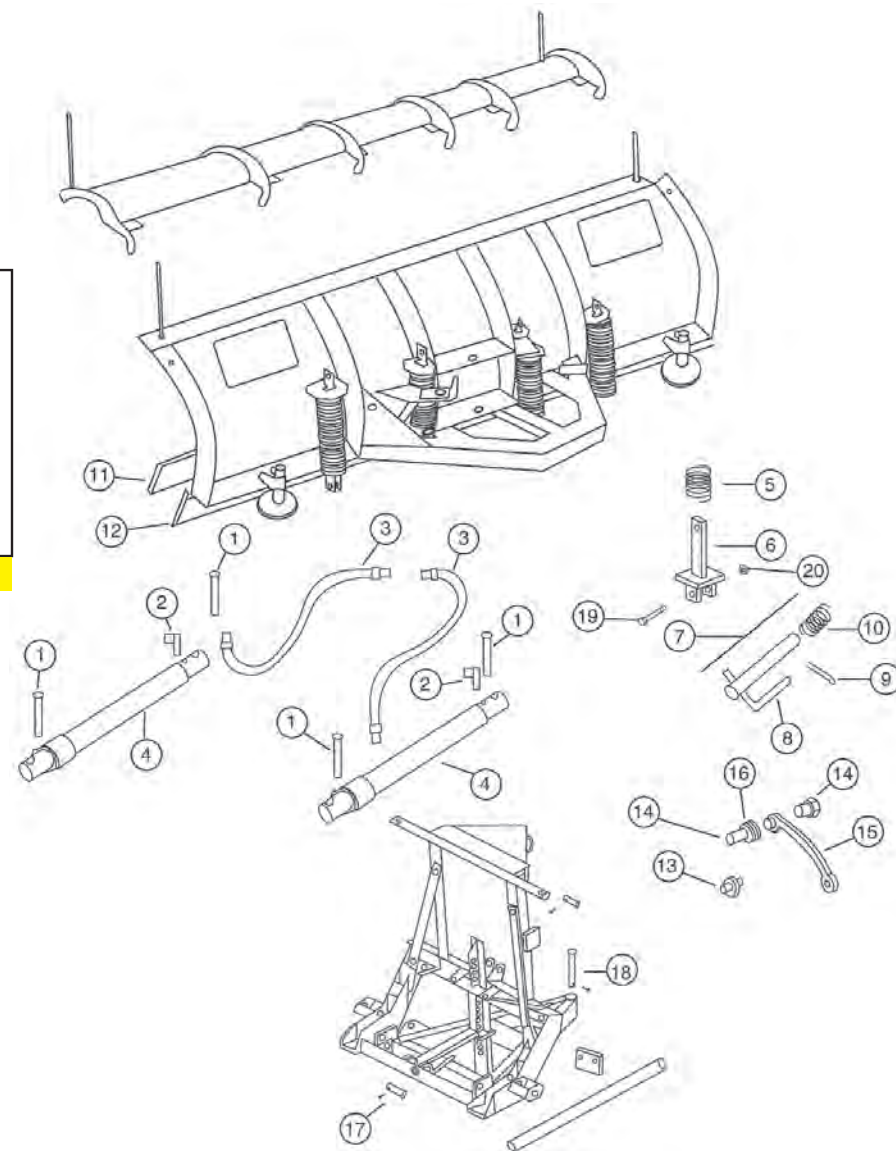
AMT0601



SNP8117

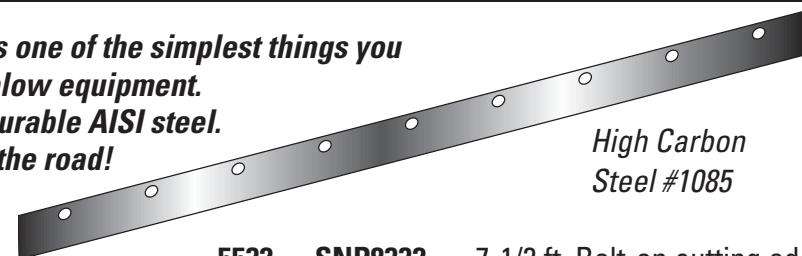


SNP7120

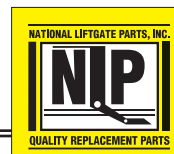


Cutting Edges

Replace cutting edges often—it's one of the simplest things you can do to protect your valuable plow equipment. NLP Cutting Edges are made of durable AISI steel. They're built to take the grind of the road!



- 5532 SNP8332 7-1/2 ft. Bolt-on cutting edge
- 5533 SNP8333 8 ft. Bolt-on cutting edge
- 5534 SNP8334 9 ft. Bolt-on cutting edge



Fisher

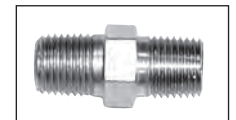
ITEM	FISHER #	NLP #	DESCRIPTION
1	6816	SNP7177	1" Cylinder Pin
2	2780	SNP7110	Cylinder Fitting
3	4424	SNP7120	36" Hose - Angle Cylinder
4	20117	SNP8117	1.5" x 12" Angle Cylinder
	339	SNP4105	1.5" Packing Kit
	340	SNP4144	1.5" Packing Nut
5	305	SNP8205	Trip Spring
6	21450	SNP8250	Spring Bar - N/S Removable
	6631	SNP8231	Spring Bar - O/S
7	6920	SNP8220	Connecting Pin With Spring
8	6815	SNP8215	Pin
9	90601	SNP8201	Cotter Pin
10	821	SNP8221	Spring
11	5532	SNP8332	7.5' Cutting Edge - Bolt On
	5533	SNP8333	8' Cutting Edge
	5534	SNP8334	9' Cutting Edge
12	5551K	SNP7345	Bolt Kit (1/2")
13	5804	SNP7119	Hex Nipple (Non Minute Mount)
14	A1587	SNP6172	Quick Coupler (Non Minute Mount)
15	1588	SNP8188	Dust Plug
16	4485	SNP8185	Snap Ring
17	6814	SNP8214	Clevis Pin
18	6817	SNP8217	Pivot Pin
19	91003	SNP8603	Trip Spring Bolt
20	90353	SNP8653	Trip Spring Nut
		SNP8850	Fisher Emergency Kit:
	307		---Shoe Spacer
	308		---Shoe Clip
	6814		---Clevis Pin
	6920		---Connecting Pin
	6816		---Cylinder Pin
	5794		---Motor Solenoid
	A1587		---Quick Disconnect
	4424		---Hose Assembly
			---Box



SNP6172



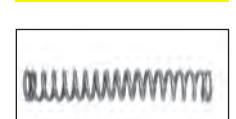
SNP8214



SNP7119



SNP4105



SNP8205



SNP8220



SNP8850



SNP7110

Notes:



Fisher

**New Style
with Electronic
Solenoid Valve**



AMT0601



SNP5342



SNP3011



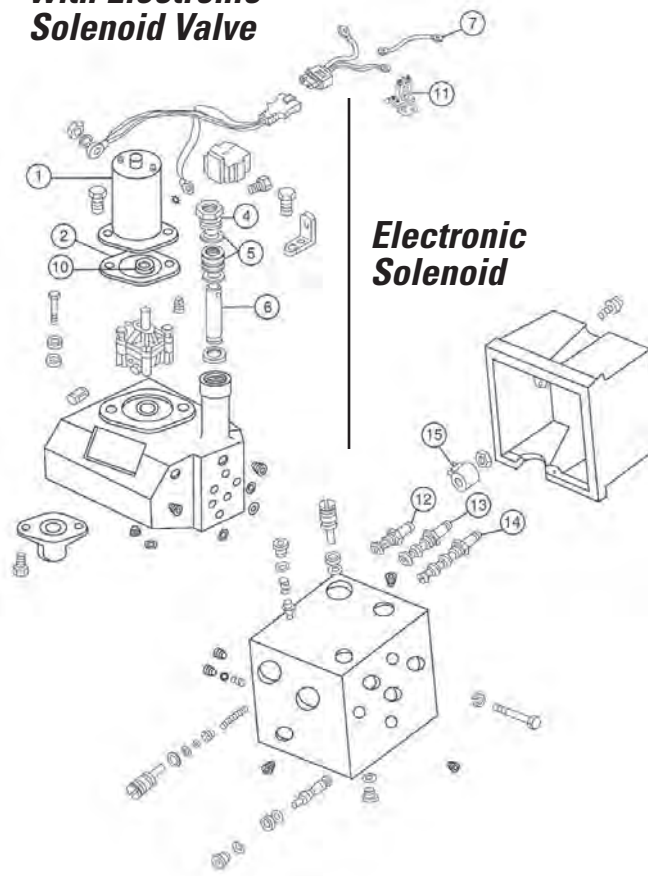
SNP4105



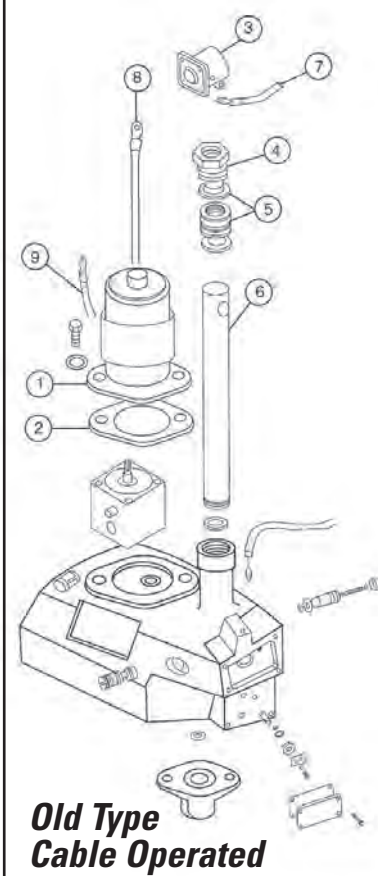
SNP4136



XMT0502



**Electronic
Solenoid**



**Old Type
Cable Operated**

ITEM	FISHER #	NLP #	DESCRIPTION
1	A5819	AMT0601	Motor
2	5822	XMT0573	Motor Gasket
3	8722	SNP3011	Start Solenoid
4	5763	SNP4144	Packing Nut 1.5" Rod
5	339	SNP4105	Packing Kit 1.5"
6	5509	SNP4202	1.5" Rod Assembly
7	5799	SNP4111	Red Cable 22" Battery Lead
8	5797	SNP4135	Red Cable 60" Motor Lead
9	5798	SNP4136	Black Ground Cable 60"
10	6578	XMT0502	Oil Seal
11	5794	SNP5342	Start Solenoid
12	7634	SNP5326	Cartridge #20
13	7636	SNP5336	Cartridge #30
14	7637	SNP5346	Cartridge #40
15	7639	SNP5355	Coil



1-800-727-8543

PAGE 22

NationalLiftgate.com

09.11

Meyer Popular Parts

START SOLENOIDS



BPL3011
Replaces Meyer 15370,
Plastic case solenoid, Rated for
150 amps, 3 terminals, 12 volt,
Positive or grounded



BPL3012
Replaces Meyer 15370,
Rated for 150 amps, Electrical life 60,000
cyc, 3 terminals, Positive or grounded,
Phenolic case

HOSES

MEYER #	NLP #	DESCRIPTION
21856	SNP6156	45" Hose with 90 degree Male Swivel
22144	SNP6169	45" Hose with Male & Female Ends
21866	SNP6166	65" Hose with 90 degree Male Swivel
21867	SNP6167	70" Hose with 2 Swivels
21868	SNP6168	70" Hose with 1 Swivel



NEW!
**SNP6170 Angle Hose
Replacement Kit**
2 each of:
SNP6156 45" Hose
SNP6172 Quick Coupler
SNP6155 Swivel Elbows

WIRES & PLUGS

MEYER #	NLP #	DESCRIPTION
05024	SNP4111A	36" Red Cable
	SNP4111B	22" Red Cable
15670	SNP6620	Motor Cable & Plug
15671	SNP6624	63" Red Cable & Plug
15672	SNP6622	42" Black Ground Cable & Plug



NEW!
**SNP6619
Complete Cable Kit**
Includes all 4 parts for
rewiring!



SNP6621
Meyer motor harness
wire with dual ground.
Replaces Meyer 15811.

MEYER SWITCHES



SNP2918
Meyer Angle Switch for
E-47 with mounting
hardware. Replaces
Meyer 21918.



SNP2092
The "Slic Stick" lever offers easy control of
the Meyer snowplow. It features 7 pins and
up/down motion with one-way lock. Replaces
Meyer 22092.



SNP2919
Meyer Lift Switch for
E-47. Replaces Meyer
21919.



SNP2917
Yellow toggle
switch extender.
Replaces Meyer
15375.



SNP2916
Black toggle
switch extender
for Meyer 15376.



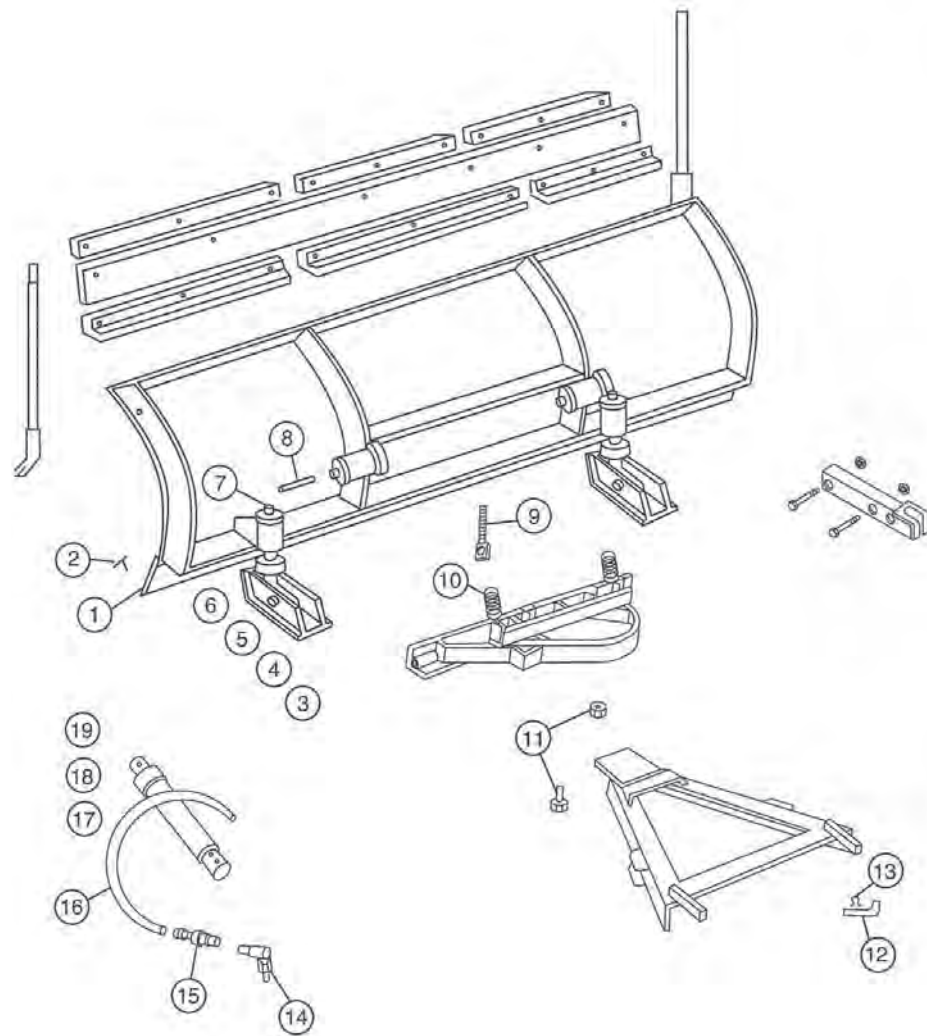
1-800-727-8543

PAGE 23

NationalLiftgate.com

09.11

Meyer



SNP6110



SNP6156



SNP6155

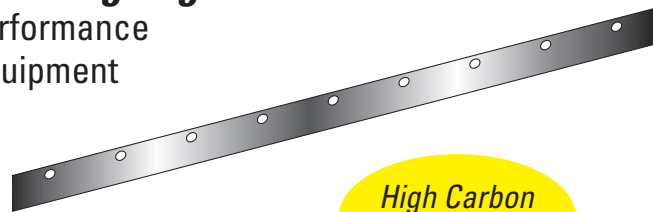


SNP6172

Cutting Edges

Protect your plow! Replace worn cutting edges often.

- Frequent replacement gives optimum performance
- Takes the wear & tear to protect your equipment
- Made of high grade AISI steel



High Carbon Steel #1085

09130	SNP6330	Cutting Edge ST72 - 72" (3/8")
09131	SNP6331	Cutting Edge ST78 - 78" (3/8")
09132	SNP6332	Cutting Edge ST84 - 84" (3/8")
09796	SNP6396	Cutting Edge ST90 - 90" (3/8")
09796HD	SNP6396HD	Cutting Edge HD ST90 (1/2") C7.5 - 90"
09133	SNP6333	Cutting Edge C8 - 96" (1/2")
09134	SNP6334	Cutting Edge C8.5 - 102" (1/2")
07259	SNP6359	Cutting Edge C9/M9 - 108" (1/2")
07235	SNP6335	Cutting Edge M10 - 120" (1/2")
07235HD	SNP6335HD	Cutting Edge M10 - 120" (5/8")



1-800-727-8543

PAGE 24

NationalLiftgate.com

09.11

Meyer

ITEM	MEYER #	NLP #	DESCRIPTION
1	09130	SNP6330	Cutting Edge ST72 - 72" (3/8")
	09131	SNP6331	Cutting Edge ST78 - 78" (3/8")
	09132	SNP6332	Cutting Edge ST84 - 84" (3/8")
	09796	SNP6396	Cutting Edge ST90 - 90" (3/8")
	09796HD	SNP6396HD	Cutting Edge HD ST90 (1/2") C7.5 - 90"
	09133	SNP6333	Cutting Edge C8 - 96" (1/2")
	09134	SNP6334	Cutting Edge C8.5 - 102" (1/2")
	07259	SNP6359	Cutting Edge C9/M9 - 108" (1/2")
	07235	SNP6335	Cutting Edge M10 - 120" (1/2")
	07235HD	SNP6335HD	Cutting Edge M10 - 120" (5/8")
2	08184	SNP7345	Cutting Edge Bolts - (1/2")
	08318	SNP6318	Cutting Edge Bolts - (5/8")
3	09126	SNP6426	Shoe Assembly ST78/C-8.5
	09592	SNP6492	Shoe Assembly M9/M10
4	07006	SNP6406	Runner - ST78/C-8.5
	07086	SNP6486	Runner - M9/M10
5	12057	SNP6457	Spindle
6	20363	SNP6463	Spacer Washer
7	20420	SNP6420	Linch Pin
8	08541	SNP6241	Blade Pivot Pin
9	09124	SNP6224	Eyebolt with Nuts
10	07017	SNP6217	Trip Spring
11	09122	SNP6222	King Bolt Assembly
	09125	SNP6225	King Bolt Assembly
12	08575	SNP6275	Hinge Pin with Clip - C Series
	10958K	SNP6258	Hinge Pin with Clip - HM Series
13	08543	SNP6243	Hairpin Clip - C Series
	21984K	SNP6284	Hairpin Clip - HM Series
14	21855	SNP6155	Swivel Ell
15	15072	SNP6172	Quick Coupler (Ball Type)
16	21856	SNP6156	45" Hose with Swivel
	21866	SNP6166	65" Hose with Swivel
	21867	SNP6167	70" Hose with 2 Swivels
	21868	SNP6168	70" Hose with Swivel
17	05810	SNP6110	1.5" x 10" Angle Cylinder - Std. Series
	05752	SNP6152	2" x 12" Angle Cylinder - 9/10' HW
18	07705	SNP4105	Packing Kit - 1.5"
	07799	SNP6199	Packing Kit - 2"
19	07805	SNP4144	Headnut - 1.5"
	07806	SNP4148	Headnut - 2"
	15670	SNP6620	Pump Cable and Plug
	05024	SNP4111	Cable Battery to Solenoid
	15672	SNP6622	42" Black Battery Cable
	15671	SNP6624	63" Red Battery Cable



SNP6217



SNP6224



SNP6426



SNP4105



SNP6241



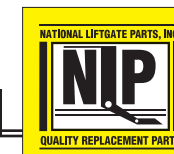
SNP6275

SNOWPLOW OIL



- Specially Formulated
- PourPoint -60°
- Viscosity Index 300
- Convenient Quart Containers

SNP3900



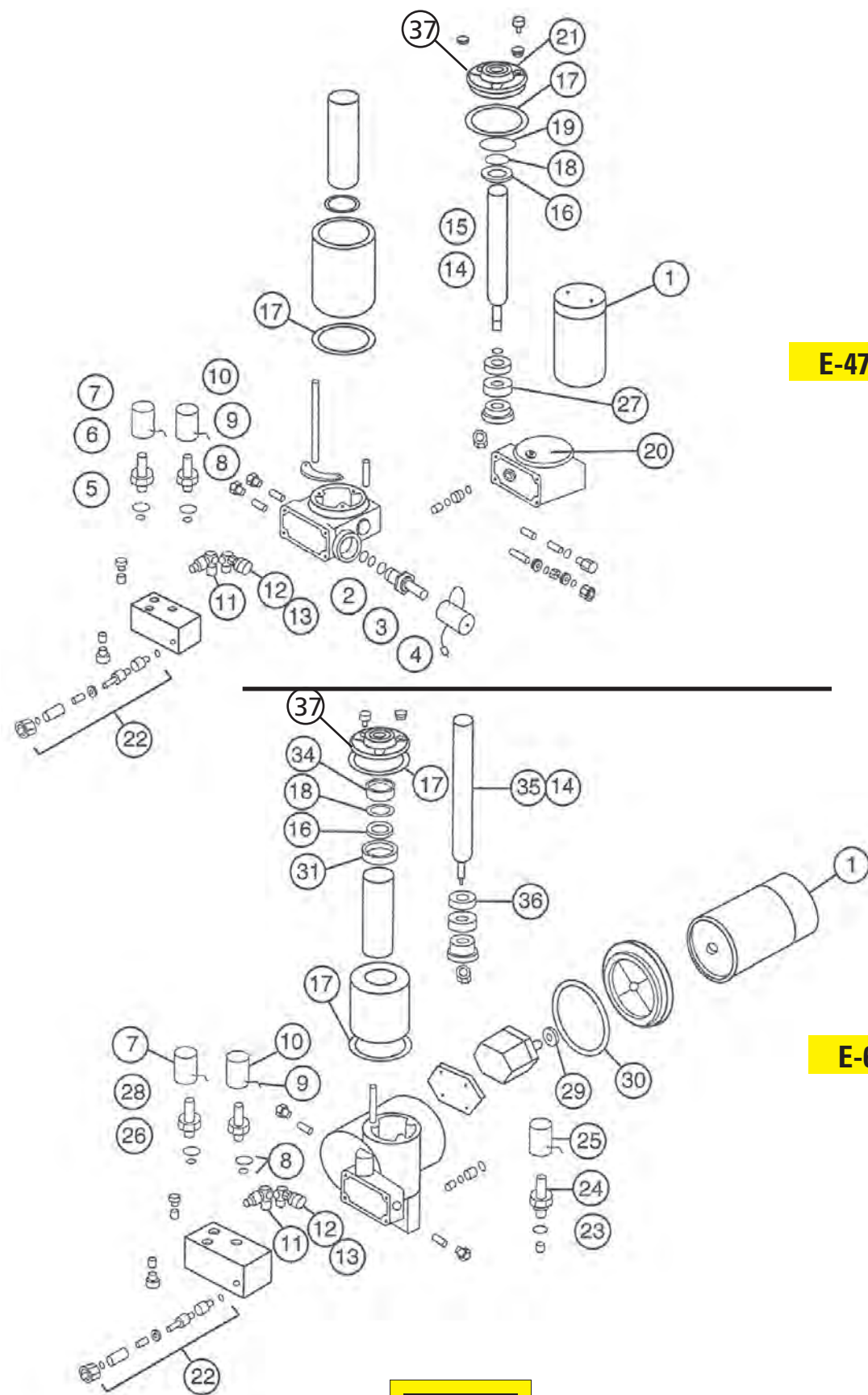
1-800-727-8543

PAGE 25

NationalLiftgate.com

09.11

Meyer Power Units



E-47

E-60

1-800-727-8543



PAGE 26

NationalLiftgate.com

09.11

Meyer

ITEM	MEYER #	NLP #	DESCRIPTION
1	15054	AMT0300	3" Motor OE
		AMT0370	3" Motor
	15689	AMT0354	4.5" Motor for E-60
2	15356	SNP3347	A Valve Old - Complete
3	15393	SNP3346	A Cartridge Old
4	15392	SNP3345	A Coil Old
		SNP3355	New A Cartridge Coil Only
		SNP3356	New A Cartridge Valve Only
		SNP3357	New A Valve Style - Complete
5	15357	SNP3367	B Valve Old - Complete
6	15380	SNP3366	B Cartridge Old
7	15382	SNP3365	B Coil Old
8	15358	SNP3377	C Valve - Complete
9	15381	SNP3376	C Cartridge
10	15430	SNP3375	C Coil
11	15072	SNP8187	Quick Coupler
12	21857	SNP6157	90 Rigid Fitting - Long
13	22141	SNP6141	90 Rigid Fitting - Short
14	15208	SNP6108	Rod
15	15335	SNP6135	Rod Assembly
16	15209	SNP6109	Special Washer
17	15131	SNP6131	O Ring
18	15198	SNP6198	Top Rod O Ring
19	15199	SNP6197	Guide Sleeve
20	15581	SNP6181	Shaft Seal
21	05119	SNP6119	Rod Wiper
22	15606	SNP3402	Crossover Relief
23	15661	SNP3357	A Valve New
24	15660	SNP3356	A Cartridge New
25	15659	SNP3355	A Coil New
26	15698	SNP3387	B Valve New
27	15162	SNP6162	Piston Rod Packing
28	15698	SNP3386	B Cartridge New
29	15686	SNP6186	Shaft Seal
30	15687	SNP6187	Motor Mount O Ring
31	15695	SNP6195	Spacer Ring
34	15737	SNP6137	Guide Sleeve
35	15206	SNP6116	Rod-H Pump
36	15691	SNP6191	Rod Packing
	15370	BPL3011	Motor Solenoid
	15370	BPL3012	Motor Solenoid, Prestolite
	15707	SNP6107	Basic Seal Kit
	15705	SNP6115	Master Seal Kit
		SNP6650	Emergency Kit
37	11619	SNP5619	Pump Filter
38	15194	SNP5194	Pump Cover
39	21929	SNP6929	Lock n' Seal



AMT0300



AMT0354



SNP3377



SNP3367



SNP6172



BPL3012



BLP 3011

EMERGENCY KIT for Meyer



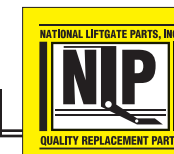
SNP6650

Kit SNP6650 includes:

- Trip Spring
- Eyebolt
- 2 Hinge Pin with Clips
- 45" Hose with Swivel

- Motor Solenoid
- Ell with Swivel
- Quick Coupler
- Shoe Spacers
- Box

1-800-727-8543



PAGE 27

NationalLiftgate.com

09.11

Meyer

Winter Is No Time For Breakdowns!

Order Replacement Parts from NLP—Your Reliable Source

CYLINDERS

MEYER #	NLP #	BORE X STROKE
05437	SNP6112	1-1/2 x 12
05752	SNP6152	2 x 12
05810	SNP6110	1-1/2 x 10
05984	SNP6114	1-1/2 x 6
07968	SNP6117	1-1/2 x 10

When emergency repairs are part of your business, its vital to have the right replacement parts on hand.

GUIDE STICKS

Choose the Meyer blade Guide Stick in bight yellow or the fluorescent orange. Each kit is designed to aid operators during nighttime or snow driving conditions.

OEM #	NLP #	DESCRIPTION
09916	SNP6901	Meyer - Bright Yellow
10000	SNP6990	Replacement Tips, Black
	SNP4901	Fluorescent Orange Kit, 3/4" x 36"
	SNP4902	Fluorescent Orange Kit, 28"
	SNP4903	Fluorescent Orange Kit, 48"

Kits include attachment hardware.



Ideal for Quick Repairs! CYLINDER & PACKING KITS

SNP6111 Cylinder Kit

Includes:
SNP6110 Cylinder 1-1/2 x 10 (Bore x Stroke)
SNP6156 45" Hose
SNP6172 Quick Coupler

SNP6113 Cylinder Kit

Includes:
SNP6112 Cylinder 1-1/2 x 12 (Bore x Stroke)
SNP6156 45" Hose
SNP6172 Quick Coupler

SNP6153 Cylinder Kit

Includes:
SNP6152 Cylinder 2 x 12 (Bore x Stroke)
SNP6156 45" Hose
SNP6172 Quick Coupler

SNP4105 Packing Kit OEM # 07705

Includes:
Rubber Seal Packing for 1-1/2" Dia. Cylinder

SNP4115 Packing Kit OEM # 07799

Includes:
Rubber Seal Packing for 2" Dia. Cylinder

Head Nuts

SNP4114 1-1/2" Head Nut OEM # 07805
SNP4148 2" Head Nut OEM #07806



Meyer New Parts



SNP5194
Replaces Meyer 15194



SNP6161
1/4" x 38"
#6 Male w/SAE Fitting
O-Ring Fitting
Replaces Meyer 22461



SNP6196
1/4" x 39"
#6 Male w/ SAE
O-Ring Fitting
Replaces Meyer 22396



SNP6473
Pressure Relief Valve
w/ Bushing
Replaces Meyer 08473

Notes: _____

Western Popular Parts

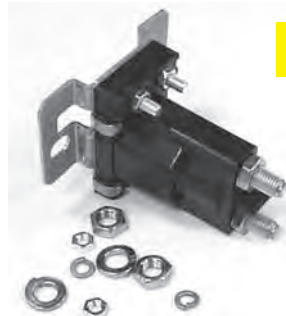
Look to NLP as your complete resource for Western replacement parts. We have inventory on hand and ready to ship the same day, when you order by 2:00 p.m. EST.

START SOLENOIDS



SNP3011

- Replaces Western 25634
- Plastic case solenoid
- Rated for 150 amps
- 3 terminals
- 12 volt
- Negative or insulated



SNP5342

- Replaces Western 56134
- Upright 4-Post
- Bakelight Tower Solenoid

HOSES

SNP7021

Angle Hose Replacement Kit
(Replaces Western 55021)

Includes 2 of each:

WESTERN #	NLP #	DESCRIPTION
55020	SNP7120	38" Hose
25232	SNP6172	Quick Coupler
92210	SNP7110	Street Elbows



SNP5343

*Replaces Western 56131K
*New Style, Shorter

SINGLE or BULK PRICING!

WESTERN #	NLP #	DESCRIPTION
92208	SNP7112	Long Leg Street Elbow
25519	SNP7119	Nipple
92210	SNP7110	Street Elbow



WIRES

WESTERN #	NLP #	CABLE
22511	SNP4111B	22" Red
25635	SNP4135	60" Red
55984	SNP4136	60" Black Ground



1-800-727-8543



PAGE 30

NationalLiftgate.com

09.11

Western



Keep Your Equipment
Ready with NLP!

CYLINDERS

WESTERN #	NLP #	BORE X STROKE
25200	SNP7132	1-1/2 x 6
25209	SNP7109	1-1/2 x 10
25210	SNP7117	2 x 6
25878	SNP7178	2 x 16
56102	SNP7102	1-1/2 x 10



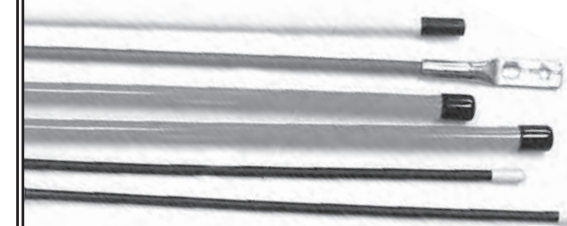
NLP gives you cylinders, cylinders and more cylinders!
Call with your specs and we'll find you a quality replacement part at a great price.

GUIDE STICKS

For safety's sake, order blade Guide Sticks to help drivers judge the position of snowplows—even during the toughest driving conditions.

OEM #	NLP #	DESCRIPTION
62265	SNP7901	Western - Bright Red
10000	SNP6990	Replacement Tips, Black
59700	SNP7900	Western 24" long w/ Red Flag
	SNP4901	Fluorescent Orange Kit, 3/4" x 36"
	SNP4902	Fluorescent Orange Kit, 28"
	SNP4903	Fluorescent Orange Kit, 48"

Kits include attachment hardware.



Keep Parts On Hand With NLP Kits! CYLINDER & PACKING KITS

SNP7103 Cylinder Kit

Includes:
SNP7102 Cylinder 3/4" Dia. Pin Holes
SNP7120 38" Hose, SNP7110 Elbow
SNP6172 Quick Coupler

SNP7108 Cylinder Kit

Includes:
SNP7109 Cylinder 1" Dia. Pin Holes
SNP7120 38" Hose
SNP7110 Elbow
SNP6172 Quick Coupler

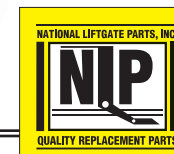
SNP7105 Packing Kit OEM # 25205

Includes:
Rubber Seal Packing for 1-1/2" Dia. Cylinder

SNP7115 Packing Kit OEM # 25215

Includes:
Rubber Seal Packing
for 2" Dia. Cylinder

1-800-727-8543



PAGE 31

NationalLiftgate.com

09.11

Western

ITEM	WESTERN #	NLP #	DESCRIPTION
1	25209	SNP7109	1.5" x 10" Angle Cylinder (1" Pin)
	56102	SNP7102	Angle Cylinder for Pro Plow (3/4" Pin)
	25878	SNP7178	2" x 16" Angle Cylinder for 9/10' HW
2	25205	SNP7105	1.5" Packing Kit
	25215	SNP7115	2" Packing Kit
3	25944	SNP4144	Head Nut 1.5" Cylinder
	25948	SNP4148	Head Nut 2" Cylinder
4	93063	SNP7163	3/4" Cylinder Pin
	93077	SNP7177	1" Cylinder Pin
	90161	SNP7161	Front Cylinder Bolt Assembly
	93063	SNP7162	Rear Cylinder Bolt Assembly
5	91911	SNP7111	Cotter Pin
6	92210	SNP7110	Elbow Short Leg (M to F)
	92278	SNP7179	Elbow (M to M)
7	55020	SNP7120	Pressure Hose
8	25232	SNP6172	Quick Coupler
9	25519	SNP7119	Nipple
10	49067	SNP7467	Standard Shoe Assembly
	49071	SNP7471	HD Shoe Assembly
11	91109	SNP7409	Shoe Washer
12	60045	SNP7445	Shoe Spacer
13	93010	SNP7410	Linch Pin
14	90132	SNP7232	Blade Pivot Assembly
15	23039	SNP7239	Trip Spring
16	90493	SNP7293	Eyebolt with Nuts
17	93033	SNP7233	Stand Pin
18	93042	SNP7242	Linch Pin
19	93040	SNP7240	Clevis Pin - Lift Frame
20	91965	SNP7265	Hair Pin Clip
21	93028	SNP7228	Hitch Pin
		SNP7227	Hitch Pin Kit
22	90165	SNP7264	Quad Pivot Bolt Old Style
	90155	SNP7255	Quad Pivot Bolt New Style and Unimount
	90159	SNP7259	Pivot Bolt Pro Plow
	90176	SNP7276	Pivot Bolt 9 & 10 HW Only
23	90245K	SNP7345	Cutting Edge Bolt (1/2") 8 Bolts and Nuts
	90396K	SNP6318	Cutting Edge Bolt (5/8") HW 13 Bolts and Nuts
	93034	SNP7234	Stand Pin Lock
	92208	SNP7112	Street Ell Long Leg (M to F)



SNP7109



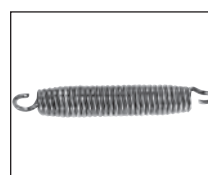
SNP4105



SNP7120



SNP7467



SNP6217



SNP7410

EMERGENCY KITS



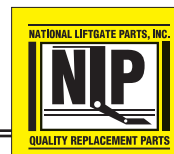
SNP7650

Emergency Kit - Uniplow
SNP7650

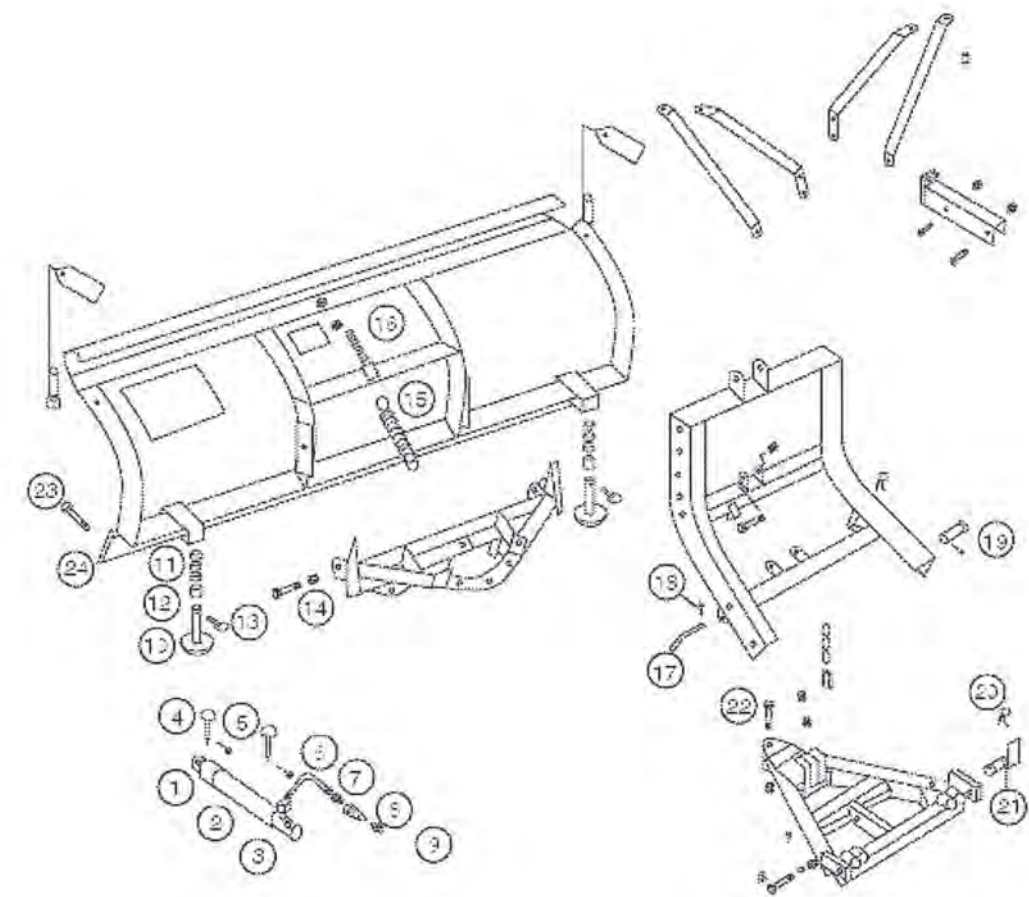
Kit contains high-demand repair parts. The box fits under driver's seat for easy storage and quick access.

Emergency Kit - Conventional

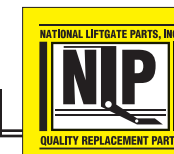
SNP7651 Includes:
 SNP 6217 Trip Spring
 SNP 6224 Eyebolt with Nuts
 SNP 7410 Linch Pin
 SNP 7409 6 Shoe Spacers
 SNP 7228 Hitch Pin
 SNP 8124 Hose
 SNP 7112 Elbow
 SNP 8187 Quick Disconnect
 SNP 7265 2 Clips
 SNP 3011 Solenoid for Motor Box



Western

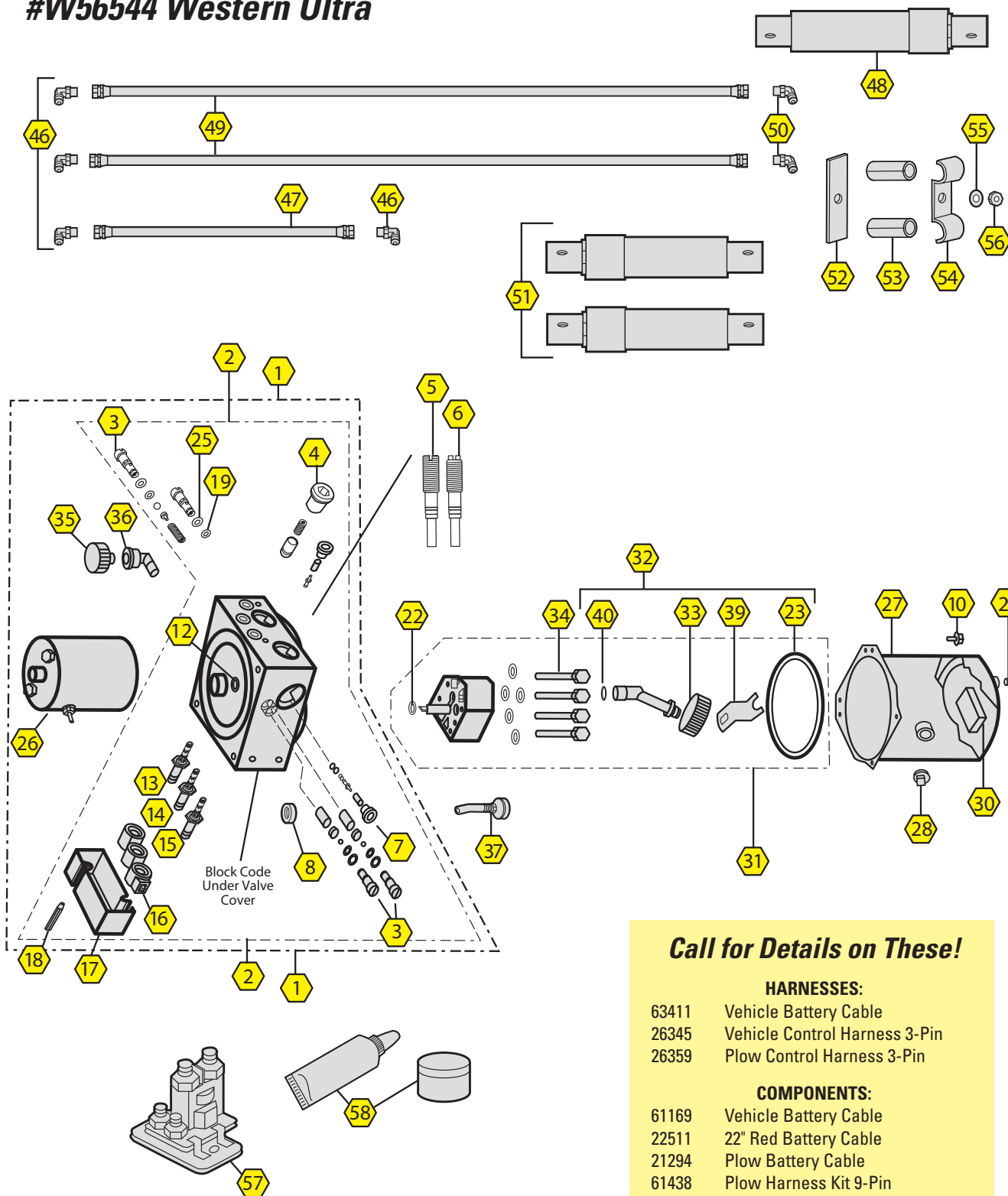


ITEM	WESTERN #	NLP #	DESCRIPTION
24	49066	SNP7366	Cutting Edge 6.5' New Style Standard (3/8")
	49070	SNP7370	Cutting Edge 7' New Style Standard (3/8")
	49076	SNP7376	Cutting Edge 7.5' New Style Standard (3/8")
	49080	SNP7380	Cutting Edge 8' New Style Standard (3/8")
	49086	SNP7386	Cutting Edge 8.5' Pro Plow (1/2")
	49088	SNP7388	Cutting Edge 7.5' Pro Plow (1/2")
	49089	SNP7389	Cutting Edge 8' Pro Plow (1/2")
	49251	SNP7351	Cutting Edge 9' Pro Plow (3/8")
	49312	SNP7312	Cutting Edge 7.5 Poly Plow (3/8")
	49328	SNP7328	Cutting Edge 8' Poly Pro Plow (3/8")
	58812	SNP7311	Cutting Edge 6.5' Old Style Standard (3/8")
	58813	SNP7313	Cutting Edge 7' Old Style Standard (3/8")
	58814	SNP7314	Cutting Edge 7.5' Old Style Standard (3/8")
	58815	SNP7315	Cutting Edge 8' Old Style Standard (1/2")
	58817	SNP7317	Cutting Edge 9' Heavy Weight (1/2")
	58818	SNP7318	Cutting Edge 10' Heavy Weight (1/2")
	58818HD	SNP7319	Cutting Edge Heavy Duty 10' Heavy Weight (5/8")
		SNP7650	Emergency Kit - Uniplow
		SNP7651	Emergency Kit - Conventional



Western

#W56544 Western Ultra



Call for Details on These!

HARNESSES:

- 63411 Vehicle Battery Cable
- 26345 Vehicle Control Harness 3-Pin
- 26359 Plow Control Harness 3-Pin

COMPONENTS:

- 61169 Vehicle Battery Cable
- 22511 22" Red Battery Cable
- 21294 Plow Battery Cable
- 61438 Plow Harness Kit 9-Pin
- 61437 Vehicle Harness Kit 9-Pin
- 59224 Bullet Receptacle Connect



1-800-727-8543

PAGE 34

NationalLiftgate.com

09.11

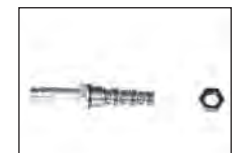
Western

#W56544 WESTERN ULTRA

ITEM	WESTERN#	NLP #	QTY	DESCRIPTION
1	56608	SNP7705	1	Valve Manifold Assy FS
2	56610	SNP7706	1	Manifold Assy FS
3	49138k	SNP7707	2	Relief Valve Kit - 2 Sets
4	56507	SNP7708	1	Bypass Check Valve Assembly
5	66509	SNP7709	1	Quill Assy G3 & Lower Threaded To Top
6	56662	SNP7710	1	Quill Assy G4 & Above Not Threaded To Top
7	49226k	SNP7711	1	Poppet Check Valve Kit
8	66515	SNP7712	1	Pump Shaft Seal
10	66607	SNP7713	4	Machine Screw
12	92960	SNP7714	4	O-ring Boss Plug
13	49227k	SNP5326	1	Cartridge 20 w/Jam Nut
14	66608	SNP5337	1	Cartridge 31 w/Jam Nut
15	49229k	SNP5346	1	Cartridge 40 w/Jam Nut
16	49230k	SNP5355	3	Coil w/spade Terminals
17	21394	SNP7715	1	Cover Assy
18	56580	SNP7716	2	Screw, Standoff ZYC
19	25622	SNP7717	2	O-Ring
20	55371	SNP7718	3	O-Ring
21	25731	SNP7720	3	O-Ring
22	56274	SNP7721	1	O-Ring
23	66519	SNP7719	1	O-Ring 2
24	26784	SNP7722	4	O-Ring
25	56315	SNP7723	2	Back-up Ring
26	21500	AMT0605	1	Motor Assy 4-1/2" - FS
27	21830	SNP7724	1	Reservoir Kit
28	92079	SNP7725	1	Reservoir
29	92095	SNP7732	1	Plug
30	73897	SNP7733	1	Magnet
31	21501	SNP7736	1	Hyd Pump Kit - FS
32	66763	SNP7737	1	Inlet Fitting/Filter Kit
33	56789	SNP7726	1	Suction Filter
34	90073	SNP7727	5	Hex Cap Screw G5
35	21727-2	SNP7728	1	Breather, Pressure Control
36	21726	SNP7729	1	Brass Street Elbow
37	66405	SNP7730	1	Return Screen Assy
39	-	-	1	Retainer Clip
40	56416	SNP7731	1	O-Ring
44	49258	SNP7734	1	Seal Kit - Cartridge 20
-	49259	SNP7735	1	Seal Kit - Cartridge 30, 31, 33, 40, 43
46	56615	SNP7750	*	Elbow Kit, 90°-6 M O-Ring/MJIC Ends
47	56617	SNP7751	1	Hose Kit, 1/4x16 w/FJIC Ends (STAND, PRO, PRO+)
48	56538k	SNP7752	1	Ram Assembly 1-1/2 X 8
49	56616	SNP7121	2	Hose Kit, 1/4x42 w/FJIC Ends (MIDW)
	64625	SNP7753	2	Hose Kit, 1/4x36 w/FJIC Ends
50	26694	SNP7754	2	Elbow Kit, 45°-6 M O-Ring/MJIC Ends
51	56614	SNP7755	2	Ram Assembly 1-1/2x10 (STAND, PRO)
	64148	SNP7756	2	Ram Assembly 1-1/2x12 (PRO+)
	64706	SNP7757	2	Ram Assembly 1-1/2x10 (MIDW)
52	56594	SNP7758	1	Clamp Base
53	56593	SNP7759	2	Sleeve
54	56589	SNP7760	1	Hose Clamp, Double
55	90313	SNP7761	1	5/16 Flat Washer
56	91332	SNP7762	1	5/16-18 Hex Lock Nut Gb
57	56131k	SNP5342	1	Motor Relay Kit
58	56099	SNP7563	1	Dielectric Grease - 1/2 oz. Jar
	49326	BAT0258	1	Dielectric Grease - Tube



SNP5326



SNP5346



SNP5355



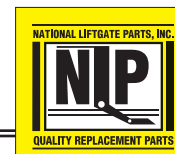
AMT0605



BAT0258



SNP7563



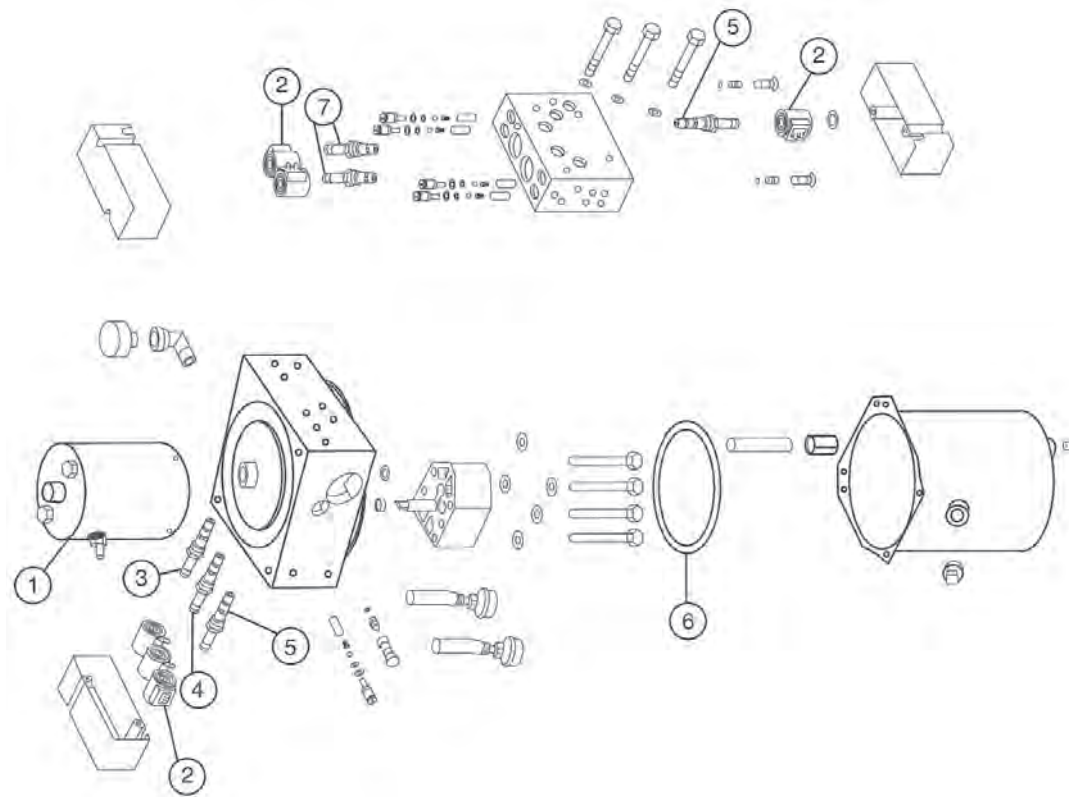
1-800-727-8543

PAGE 35

NationalLiftgate.com

09.11

Western V-Plow



AMT0605



SNP5366



SNP5355



SNP5326



SNP5336



SNP5346

ITEM	WESTERN #	NLP #	DESCRIPTION
1	21500	AMT0605	Motor
2	7639	SNP5355	Solenoid Coil with 2 Terminals
3	7634	SNP5326	Cartridge 20 with Nut - 2 Way
4	66783	SNP5366	Cartridge 43 with Nut - 4 Way
5	7637	SNP5346	Cartridge 40 with Nut - 4 Way
6	66519	SNP7719	O Ring
7	7636	SNP5336	Cartridge 30 with Nut - 3 Way

SAME DAY SHIPPING

In U.S. When Ordered Before 2:00 P.M./ EST

FREE FREIGHT

On Domestic Orders Over \$1000



1-800-727-8543

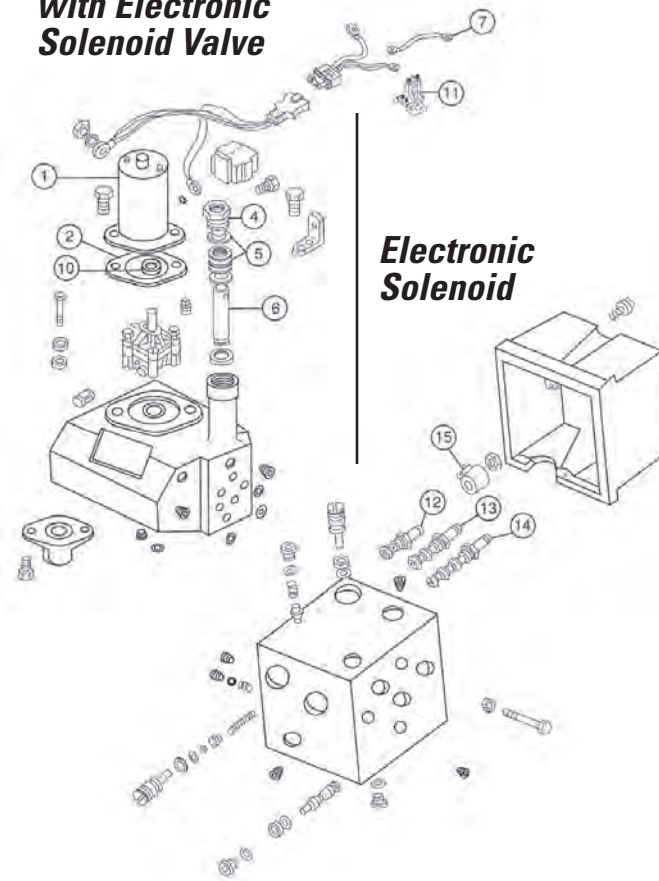
PAGE 36

NationalLiftgate.com

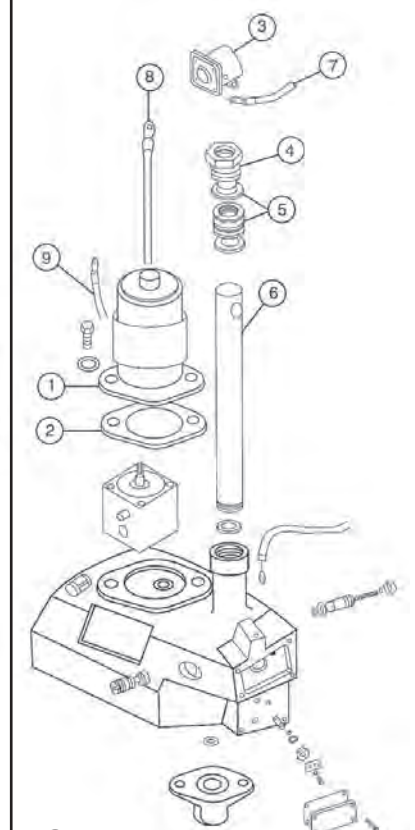
09.11

Western

**New Style
with Electronic
Solenoid Valve**



**Electronic
Solenoid**



**Old Type
Cable Operated**



AMT0502



AMT0570



SNP3011



SNP5342



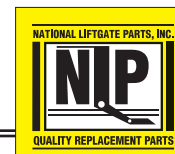
SNP4136



XMT0502

ITEM	WESTERN #	NLP #	DESCRIPTION
1	56133	AMT0502	Motor
2	25861	XMT0573	Motor Gasket
3	25634	SNP3011	Start Solenoid
4	25944	SNP4144	Packing Nut 1.5" Rod
	25948	SNP4148	Packing Nut 2" Rod
5	25204	SNP4105	Packing Kit 1.5"
	25212	SNP4115	Packing Kit 2"
6	25202	SNP4202	1.5" Rod Assembly
7	22511	SNP4111	Red Cable 22"
8	25635	SNP4135	Red Cable 60"
9	55984	SNP4136	Black Ground Cable 60"
10	49014	XMT0502	Oil Seal
11	56134	SNP5342	Start Solenoid
12	49227	SNP5326	Cartridge #20
13	49228	SNP5336	Cartridge #30
14	49229	SNP5346	Cartridge #40
15	49230	SNP5355	Coil

1-800-727-8543



PAGE 37

NationalLiftgate.com

09.11

NEW Parts for 2011/2012



SNP6308



SNP3317



SNP7300



SNP7304



SNP8211



SNP8212

MEYER

NLP #	DESCRIPTION	MEYER #
SNP6302	Coupler male w/o O-ring	22293
SNP6303	Coupler female w/o O-ring	22294
SNP6306	Pin Pivot Tube - two	12149
SNP6308	Coupler, 1/4 NPT, Female Hose	15848
SNP6309	Seal Kit for E-88 block	15960
SNP6310	Master Seal Kit for E-57	15969
SNP6312	Coupler SAE Male thread	22442
SNP6313	Coupler SAE Female thread Models E-58H, E-68, E-78 and E-88	22445
SNP3304	Seal Kit A or B valve	15928
SNP3305	Coil A or B	15916
SNP3306	Cartridge valve A or B	15917
SNP3307	Solenoid Assy - A or B	15925
SNP3314	Seal Kit B or C/D valve	15929
SNP3316	Cartridge valve B or C/D	15918
SNP3317	Solenoid Assy - B or C/D	15926
SNP3324	Seal Kit C or E valve	15930
SNP3326	Cartridge valve C	15958
SNP3327	Solenoid Assy - C	15987
SNP3336	Cartridge Valve E	15919
SNP3337	Solenoid Assy - E	15927

WESTERN

NLP #	DESCRIPTION	WESTERN #
SNP7300	Motor - Salt Spreader/Fisher	65416
SNP7301	Bearing Kit	94953
SNP7302	Bearing Fillup Lock	65636
SNP7303	Bearing - Plate	68662
SNP7304	Shock Absorbers	60338

FISHER

NLP #	DESCRIPTION	FISHER #
SNP8211	Pump Assy Kit	49211
SNP8300	Cylinder Seals - 2"	3623
SNP8301	Headlight switch	3736
SNP8302	O-ring	5823
SNP8303	Cylinder nut 2"	6998
SNP8305	Pump filter	56185
SNP8309	Pin Clevis	26219
SNP8310	Pin pivot	20988
SNP8312	Jack Leg	27462
SNP8314	Cylinder - angle 2" x 10"	56709F
SNP8316	Rubber flap	63508
SNP8317	Knob for lever	49016
SNP8318	U-bolt for plow chain	A6148
SNP8320	Motor spreader	P3035
SNP8321	Pin pivot	26060
SNP8324	Wiper ring	3624



1-800-727-8543

PAGE 38

NationalLiftgate.com

09.11

NEW Parts for 2011/2012



SNP2101



SNP2116



SNP4107-17



SNP4100



SNP4104



SNP3100

NLP #	DESCRIPTION	S.A.M. #	Holes	From Edge	Between
SNP1046	Deflector 45.75" x 9" x 3/8"	1309046	5	2-3/8"	10-1/4"
SNP1052	Deflector 51.75" x 9" x 3/8"	1309052	5	2-3/8"	11-3/4"
SNP1096	Deflector 96" x 9" x 3/8"	1309096	8	2-1/2"	13"
SNP1102	Deflector 102" x 9" x 3/8"	1309102	10	2-5/8"	10-3/4"
SNP1108	Deflector 108" x 9" x 3/8"	1309108	10	2-1/4"	11-1/2"

SNO-WAY

NLP #	DESCRIPTION	SNO-WAY #
SNP2100	Shoe Assy - Heavy Duty	96102542
SNP2101	Trip Spring	96001392
SNP2103	Pin Hitch w/ linch pin 3/4 x 4-1/2	95105046
SNP2104	Cylinder 2-1/4" x 9" (plow) (DA)	96101977
SNP2105	Cylinder 1-1/2" x 11-1/4" (plow) (SA)	96107455
SNP2106	Cylinder 1-1/2" x 4" (lift) (SA)	96100085
SNP2107	Cylinder 1-1/2" x 3.87" (lift) (DA)	96106077
SNP2110	Hose 16"	96100005
SNP2111	Hose 20"	96100006
SNP2112	Hose 16.5"	96104242
SNP2113	Hose 27"	96104246
SNP2114	Hose 28.5"	96104247
SNP2115	Hose 32"	96106071
SNP2116	Motor spreader 12V 2 post 6 & 9	96105846

DIAMOND

NLP #	DESCRIPTION	DIAMOND #
SNP3100	Double Torsion Spring	8110005
SNP3101	Pin Hinge Pin 1-3/16" x 9-1/2"	81100031
SNP3102	Pin Trip Edge 1-3/16" x 2-13/16"	81100033
SNP3103	Pin Trip Edge 1-3/16" x 4-3/4"	81100032
SNP3104	Pin Lower Pivot 1-3/16" x 6-1/2"	81100038

BOSS

NLP #	DESCRIPTION	BOSS #
SNP4100	Motor	HYD01563
SNP4101	Cylinder Angle 1-1/2" x 10"	HYD01603
SNP4102	Cylinder Angle 1-1/2" x 10"	HYD08830
SNP4103	Cylinder Lift 1-1/8" x 10"	HYD07013
SNP4104	Spring, Trip 14.5"	MSC01509
SNP4106	Spring, Trip 17-7/8" 18"	MSC07705
SNP4107	Hose 1/4" x 15.5", 1/4" MP	HYD01695
SNP4108	Hose 1/4" x 12.25", 1/4" MP	HYD01696
SNP4109	Hose 3/8" x 48.25", 1/4" MP, 3/8" MP	HYD01707
SNP4110	Hose 1/4" x 15", 1/4" MP, 3/8" MORB	HYD07020
SNP4112	Hose 3/8" x 40", 1/4" MP, 3/8" MP	HYD07042
SNP4113	Hose 3/8" x 40" 1/4" MP, 3/8" O-Ring	HYD07575
SNP4114	Hose 3/8" x 44" 1/4" MP, 3/8" FJIC	HYD07714
SNP4116	Hose 3/8" x 34", 1/4" MP, 3/8" MP	HYD01810
SNP4117	Hose 1/4" x 18", 1/4" MP, 3/8" MORB	HYD09922
SNP4118	Shoe Assy - Center	MSC01570
SNP4119	Solenoid	HYD01633



1-800-727-8543

PAGE 39

NationalLiftgate.com

09.11

Check Inside Back Cover for What's NEW at NLP

NEW CUTTING EDGES *Over 100 SKUs in-stock including:*

- Sno-Way, Diamond, Boss, Meyer, Western, Fisher, Blizzard, S.A.M. Replacements
- V-plow models
- Municipal – Gledhill, American Road + More Highway Punch Replacements
- Rubber Edges

NEW SNOW DEFLECTORS

- Belted 3/8" Thick Rubber in 5 Universal Sizes from 46" to 108"

NEW BOSS®

- Motor
- Cylinders
- Springs
- Hoses
- Shoe Assemblies
- Solenoids

NEW DIAMOND®

- Springs
- Pins
- Pivots

NEW FISHER®

- Jack Leg
- Pump Assembly
- Pins, Cylinders & Ring Kits

NEW MEYER®

- Runner Assembly
- Couplers
- Cylinders
- Valve Kits

NEW SNO-WAY®

- Shoe Assembly
- Cylinders
- 6 New Hoses

NEW WESTERN®

- Motor
- Shock Absorber
- Bearings
- Cylinders



NATIONAL LIFTGATE PARTS

6550 Wiehe Rd
Cincinnati, OH 45237